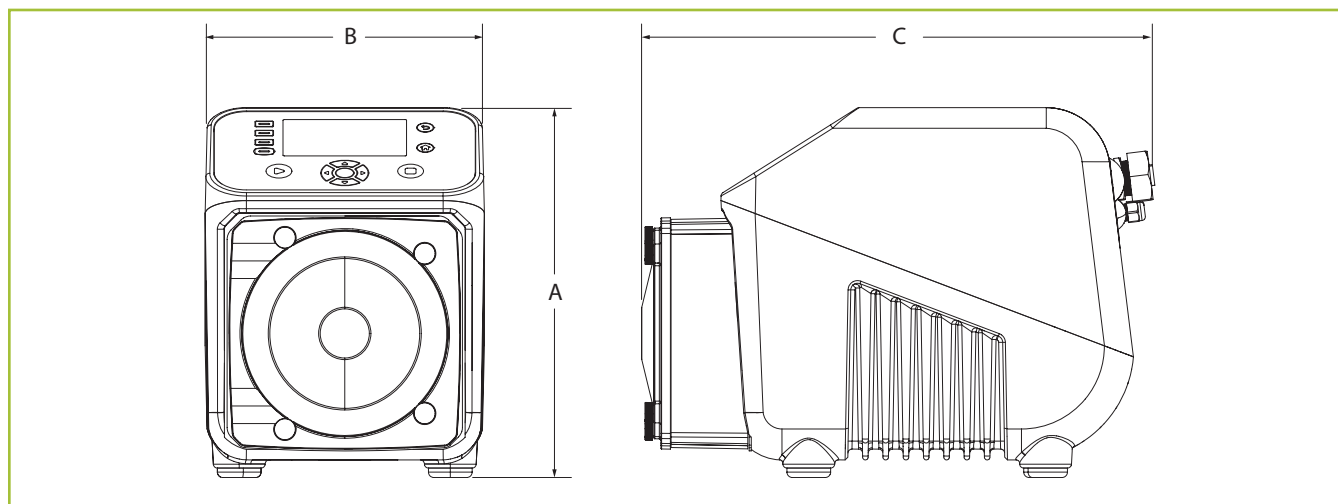




KM-Series

Data Sheet



DIMENSIONS

mm (Inch)

| DIMENSION | KM2 | KM3 | KM4 |
|----------------|-------------|-------------|--------------|
| A | 246 (10.4) | 246 (10.4) | 363 (14.3) |
| B | 206 (8.125) | 206 (8.125) | 308 (12.125) |
| C | 361 (14.2) | 361 (14.2) | 455 (17.9) |
| Weight kg (lb) | 16.1 (35.6) | 16.1 (35.6) | 32.6 (72) |

MATERIALS OF CONSTRUCTION

| MATERIALS OF CONSTRUCTION | |
|---------------------------|------------------------|
| ENCLOSURE | POWDER COATED ALUMINUM |
| PUMP HEAD | PBT THERMOPLASTIC |
| COVER | POLYCARBONATE |
| ROTOR | PBT THERMOPLASTIC |
| ROLLERS | NYLON |
| ROLLER BEARINGS | 316SS |
| ROLLER SHAFT | 316SS |
| MOTOR SHAFT | CHROME STEEL |
| COVER SCREWS | PLASTIC/316SS |
| TUBE CONNECTORS | PVDF |



About Ingersoll Rand Inc.



Ingersoll Rand Inc. (NYSE:IR), driven by an entrepreneurial spirit and ownership mindset, is dedicated to helping make life better for our employees, customers and communities. Customers lean on us for our technology-driven excellence in mission-critical flow creation and industrial solutions across 40+ respected brands where our products and services excel in the most complex and harsh conditions. Our employees develop customers for life through their daily commitment to expertise, productivity and efficiency. For more information, visit www.IRco.com.

We are committed to using environmentally conscious print practices