

PUMP MODEL G 1002TE - VER 1.1, Revision 3

D.NO.	PART NO.	DESCRIPTION	QTY
1a	405-058-21	DISCHARGE OUTLET (8"NPT)	1
1b	405-052-21	DISCHARGE OUTLET (8"HOSE)	1
1c	405-115-21	DISCHARGE OUTLET (8"BSP)	1
2	380-060-66	"O" RING	1
3	270-014-21	LIFTING HOOK	2
4	650-066-21	STUD	4
5	700-014-21	WASHER	4
6	370-016-21	HEX NUT	8
7	035-066-30	TOP BRACKET	1
8	080-006-08	CIRCLIP	1
9	380-016-66	"O" RING	1
10	020-011-07	UPPER BEARING	1
11	480-063-00	ROTOR COMPLETE	1
12a	619-029-00	BARE STATOR 380v@50Hz/460v@ 60Hz	1
12b	619-110-00	BARE STATOR 575v/1000v	1
13	625-041-30	STATOR CASING	1
14	400-036-04	OUTER CASING	1
15	045-009-21	HEX HD.BOLT	4
16	037-005-30	BEARING COVER	1
17	380-034-66	"O" RING	1
18	380-040-66	"O" RING	1
19	035-053-30	LOWER BEARING BRACKET	1
20	520-006-21	SOCKET HEAD SCREW	8
21	385-004-30	OIL BAG RING	1
22	650-102-21	STUD	4
23	170-004-80	DIFFUSER RING	1
24	160-006-01	DIFFUSER HOLDER	1
25	155-014-80	DIFFUSER CENTRE	1
26	700-010-21	WASHER	4
27	370-015-21	HEX NUT	12
28	640-015-21	STRAINER	1
29	030-010-04	BASE PLATE	1
30	045-019-21	HEX HD.BOLT	6
31	705-005-21	SPRING WASHER	6
32	600-027-21	TRIMMING SPACER	AS REQD
33	650-025-21	STUD	8
34	370-009-21	HEX NUT	8
35	365-042-21	DOME LOCK NUT	1
36	695-006-21	LOCK WASHER	1
37	320-013-22	KEY	1
38a	300-110-22	IMPELLER 60 Hz	1
38b	300-109-22	IMPELLER 50 Hz	1
39	600-058-21	TRIMMING SPACER	AS REQD.
40	545-005-21	SEAL HOUSING	1
41	715-014-80	WEAR PLATE	1
42	380-035-66	"O" RING	1
43	380-037-66	"O" RING	1
44	380-042-66	"O" RING	1
45	525-019-21	EARTHING SCREW	1
46	085-027-21	CABLE CLAMP	1
47	525-012-21	CH.HD.SCREW	2
48	350-027-21	NAME PLATE	1

PUMP MODEL G 1002TE - VER 1.1, Revision 3

49	465-006-11	RIVET	6
50	635-009-21	ROTATION ARROW	1
51	227-017-21	CABLE GRIP (Order with gland)	1
52	230-011-45	CABLE GLAND (Order with grip)	1
	660-109-21	CABLE GRIP WITH GLAND	1
53	662-003-66	CABLE SUPPORT	1
54a	260-023-66	CABLE GROMMET 4 CORE	1
54b	260-053-66	CABLE GROMMET 6 CORE	1
55a	600-101-40	GLAND SPACER 4 CORE	1
55b	600-102-40	GLAND SPACER 6 CORE	1
56a	235-014-21	CABLE GLAND BASE 4 CORE	1
56b	235-012-21	CABLE GLAND BASE 6 CORE	1
57a	065-031-79	CABLE TYPE 'W' AWG # 8/4	50'
57b	065-030-79	CABLE 16 SQ.MM x 6 CORE (DESINA)	50'
58	650-014-21	STUD	2
59	370-006-21	HEX NUT	8
60	700-004-21	WASHER	8
61	380-812-66	"O" RING	1
62	380-012-66	"O" RING	2
63	380-009-66	"O" RING	2
64a	260-105-66	CABLE LEAD GROMMET 4 CORE	1
64b	260-114-66	CABLE LEAD GROMMET 6 CORE	1
65	430-019-21	BLANK CAP	1
66	650-011-21	STUD	6
67	150-006-66	OIL DIAPHRAGM	1
68	395-005-93	OIL	5L
69	525-022-21	PH.PAN HD.SCREW	2
70	370-002-21	HEX NUT	4
71	085-007-21	OIL BAG CLAMP SMALL	2
72	515-007-21	SAND GUARD	1
73	600-037-21	CAP FOR CIRCLIP	1
74	080-008-21	CIRCLIP	2
75	535-021-00	MECHANICAL SEAL	2
76	520-002-21	OIL PLUG	2
77	380-001-66	"O" RING	2
78	020-010-07	LOWER BEARING	1 SET
79	080-011-08	CIRCLIP	1
80	010-005-26	ZINC ANODE	4
81	520-011-21	CAP SCREW	8
82	375-021-66	"O" RING SET	1

Illinois Location:

(847) 841-7867
860 Church Rd Elgin, IL 61

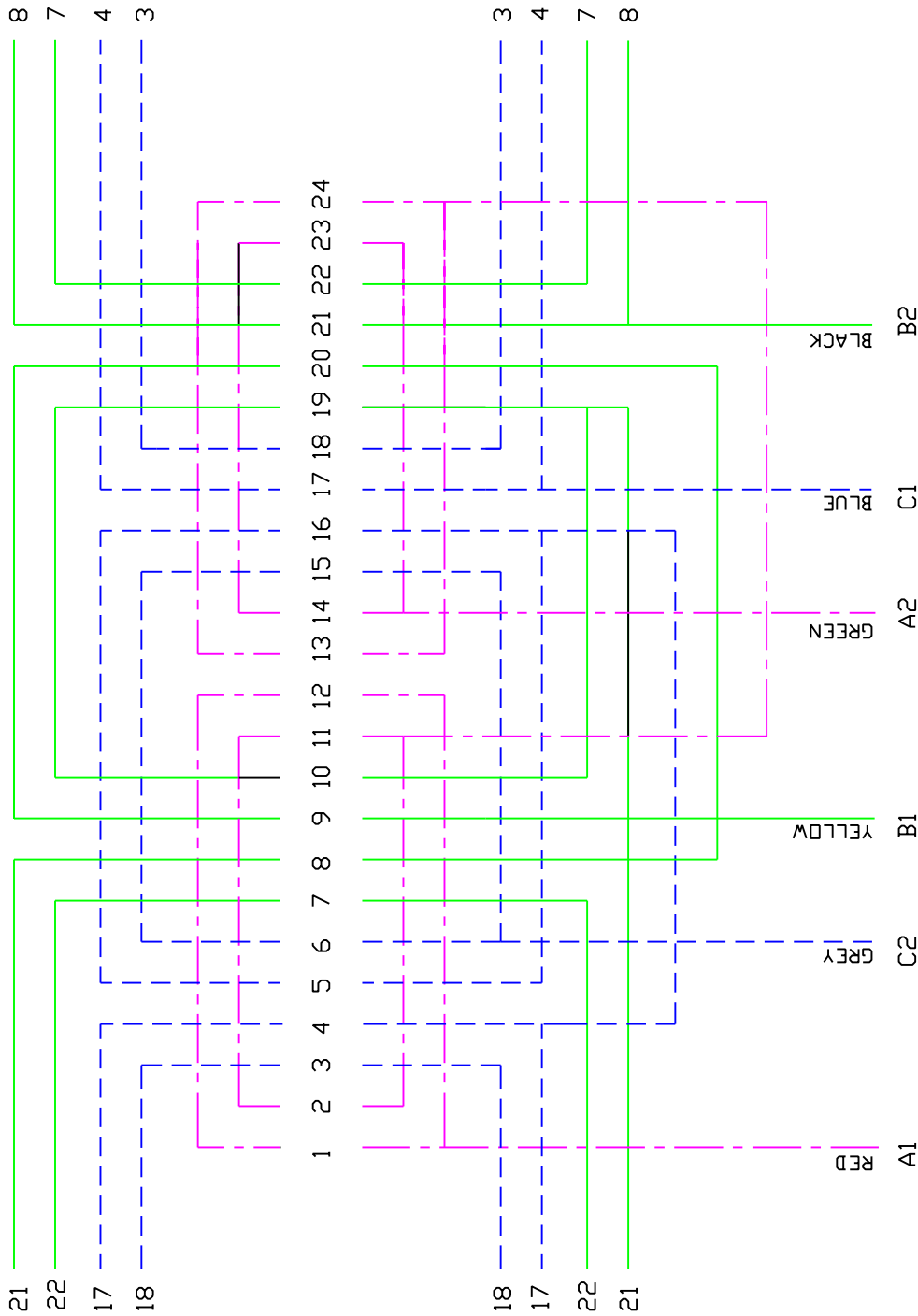
Minnesota Location:

(651) 758-7867
330 Mill Bay South Suite
Afton, MN 55001

PumpSupplyInc.com



460 V , 3Ph. 6 LEAD WINDING DIAGRAM. (DELTA CONN.)

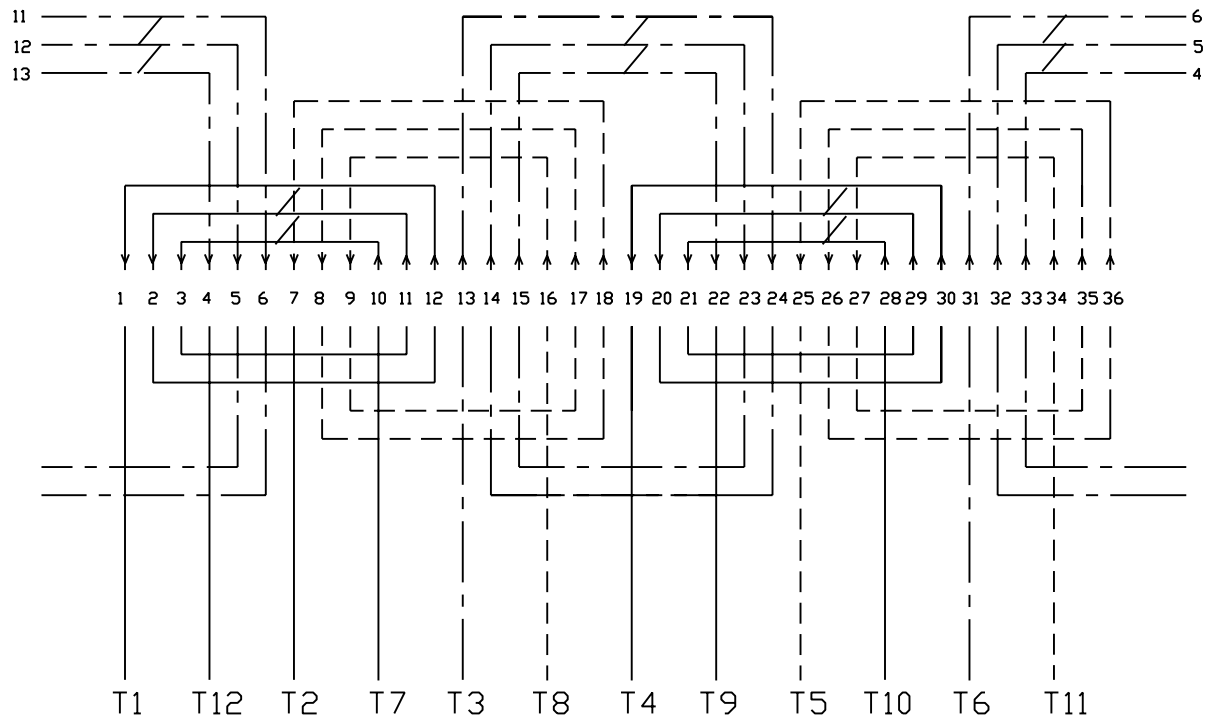


460 VOLT CONNECTION
 JOIN A1 B2 - RED AND BLACK
 B1 C2 - YELLOW AND GRAY
 C1 A2 - BLUE AND GREEN



PUMP SUPPLY
 INCORPORATED

WINDING DIAGRAM FOR 2 POLE DUAL VOLTAGE MOTOR DEWATERING PUMPS (12 LEADS)



CONNECT AND SOLDER

T1	RED	T7	WHITE (RED)
T2	YELLOW	T8	WHITE (YELLOW)
T3	BLUE	T9	WHITE (BLUE)
T4	GREEN	T10	WHITE (GREEN)
T5	BLACK	T11	WHITE (BLACK)
T6	GREY	T12	WHITE (GREY)

460 VOLTS CONN.
JOIN PERMANENTLY

T7 & T10
T8 & T11
T9 & T12

230 VOLTS CONN.

L1 = T1 T6 T9 T10
L2 = T2 T4 T7 T11
L3 = T3 T5 T8 T12

LINE

L1 = T1 T6
L2 = T2 T4
L3 = T3 T5



PUMP SUPPLY
INCORPORATED



LIMITED WARRANTY

We warrant to our immediate customer and to the ultimate consumer that products of our manufacture will be free of defects in material and workmanship under normal use and service for the following time periods, when installed and maintained in accordance with our instructions.

PUMPS: One (1) year from date of installation or (18) months from date of shipment, whichever occurs first. As used herein, "the ultimate consumer" is defined as the purchaser who first uses the product after its initial installation or, in the case for product designed for non-permanent installation, the first owner who uses the product. It is the purchaser's or any sub-vendor's obligation to make known to the ultimate consumer the terms and conditions of this warranty. This warranty gives you specific legal rights, and there may also be other rights which vary from state to state. In the event the product is covered by the Federal Consumer Product Warranties Law (1) the duration of any implied warranties associated with the product by virtue of said law is limited to the same duration as stated herein, (2) this warranty is a LIMITED WARRANTY, and (3) no claims of any nature whatsoever shall be made against us, until the ultimate consumer, his successor, or assigns, notifies us in writing of the defect, and delivers the product and/or defective part(s) freight prepaid to our facility or nearest authorized service station. Some states do not allow limitations on how long an implied warranty lasts, so the above limitation may not apply. **THE SOLE AND EXCLUSIVE REMEDY FOR BREACH OF ANY AND ALL WARRANTIES WITH RESPECT TO ANY PRODUCT SHALL BE TO REPLACE OR REPAIR AT OUR ELECTION, FOB POINT OF MANUFACTURE OR AUTHORIZED REPAIR STATION, SUCH PRODUCTS AND/OR PARTS AS PROVEN DEFECTIVE. THERE SHALL BE NO FURTHER LIABILITY, WHETHER BASED ON WARRANTY, NEGLIGENCE OR OTHERWISE.**

Unless expressly stated otherwise, guarantees in the nature of performance specifications furnished in addition to the foregoing material and workmanship warranties on a product manufactured by *Mody*, if any, are subject to laboratory tests corrected for field performance. Any additional guarantees, in the nature of performance specifications must be in writing and such writing must be signed by our authorized representative. Due to inaccuracies in field testing if a conflict arises between the results of field testing conducted by or for user, and laboratory tests corrected for field performance, the latter shall control. Components or accessories supplied by us but manufactured by others are warranted only to the extent of and by the terms and conditions of the original manufacturer's warranty.

RECOMMENDATIONS FOR SPECIAL APPLICATIONS OR THOSE RESULTING FROM SYSTEMS ANALYSES AND EVALUATIONS WE CONDUCT, WILL BE BASED ON OUR BEST AVAILABLE EXPERIENCE AND PUBLISHED INDUSTRY INFORMATION. SUCH RECOMMENDATIONS DO NOT CONSTITUTE A WARRANTY OF SATISFACTORY PERFORMANCE AND NO SUCH WARRANTY IS GIVEN.

This warranty shall not apply when damage is caused by (a) improper installation, (b) improper voltage, (c) lightning, (d) sand or other abrasive materials, (e) scale or corrosion build-up due to excessive chemical content. Any modification of the equipment will also void the warranty. We will not be responsible for loss, damage or labor cost due to interruption of service caused by defective parts. Neither will we accept charges incurred by others without our prior written approval. This warranty is void if our inspection reveals the product was used in a manner inconsistent with normal industry practice and/or our specific recommendations. The purchaser is responsible for communication of all necessary information regarding the application and use of the product. **UNDER NO CIRCUMSTANCES WILL WE BE RESPONSIBLE FOR ANY OTHER DIRECT OR CONSEQUENTIAL DAMAGES, INCLUDING BUT NOT LIMITED TO LOST PROFITS, LOST INCOME, LABOR CHARGES, DELAYS IN PRODUCTION, IDLE PRODUCTION, WHICH DAMAGES ARE CAUSED BY ANY DEFECTS IN MATERIAL, AND/OR WORKMANSHIP AND/OR DELAYS IN SHIPMENT. THIS WARRANTY IS EXPRESSLY IN LIEU OF ANY OTHER EXPRESS OR IMPLIED WARRANTY, INCLUDING ANY WARRANTY OF MERCHANTABILITY OR FITNESS FOR A PARTICULAR PURPOSE.**

No rights extended under this warranty shall be assigned to any person, whether by operation or otherwise, without our prior written approval.

Mody Pumps Inc.: 2166 Zeus Court, Bakersfield, CA 93308 Tel.: (661) 392-7600 Fax: (661) 392-7601