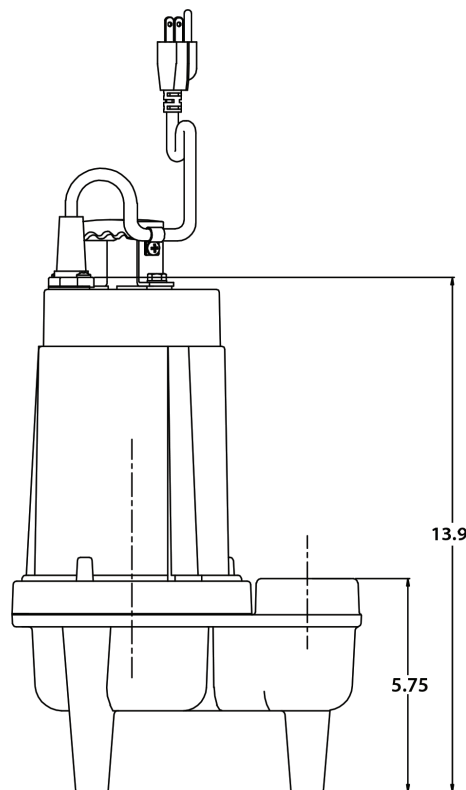
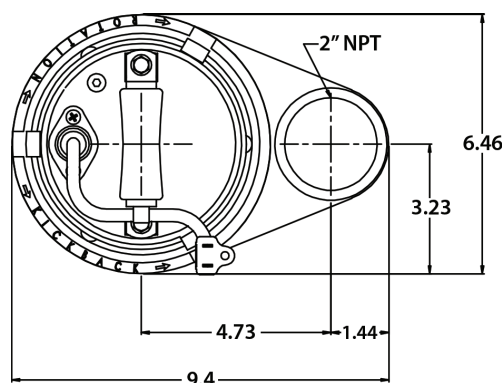




## TECHNICAL DATA

<b>DISCHARGE</b>	2" NPT. vertical standard
<b>SOLIDS HANDLING</b>	2" CPW, 1-1/2" CPWH
<b>LIQUID TEMPERATURE</b>	140 Degrees F. (Intermittent)
<b>MOTOR HOUSING</b>	Cast Iron
<b>VOLUTE</b>	Cast Iron
<b>SEAL PLATE</b>	Cast Iron
<b>IMPELLER</b>	Cast Iron / Vortex
<b>SHAFT</b>	Stainless Steel
<b>SHAFT SEAL (SINGLE SEAL)</b>	Inboard mechanical with secondary exclusion V-Seal, carbon rotating face, ceramic stationary face, Buna-N elastomer, 300 series stainless steel hardware
<b>BEARINGS (UPPER &amp; LOWER)</b>	Single row, ball, oil lubricated
<b>HARDWARE</b>	300 Series stainless steel
<b>O-RINGS</b>	Buna-N
<b>CORD</b>	10' Length standard. Up to 100' available. (UL/CUL) Listed 16 AWG, Type SJTW
<b>MOTOR (SINGLE PHASE)</b>	1/2 HP 3450 RPM, 60 Hz, NEMA L Includes overload protection in the motor, oil filled, class B permanent split capacitor
<b>WEIGHT</b>	37 lbs. (Manual)



## MODEL(S) INFORMATION

MODEL	HP	VOLTS	PHASE	AMPS	CORD LENGTH	SWITCH
CPW5-11 / CPWH5-11	1/2	115	1	11.5	10'	Manual
CPW5-12 / CPWH5-12	1/2	115	1	11.5	20'	Manual
CPW5-13 / CPWH5-13	1/2	115	1	11.5	30'	Manual
CPW5-15 / CPWH5-15	1/2	115	1	11.5	50'	Manual
CPW5A-11 / CPWH5A-11	1/2	115	1	11.5	10'	Wide-Angle Float
CPW5A-12 / CPWH5A-12	1/2	115	1	11.5	20'	Wide-Angle Float
CPW5A-13 / CPWH5A-13	1/2	115	1	11.5	30'	Wide-Angle Float
CPW5V-11 / CPWH5V-11	1/2	115	1	11.5	10'	Vertical Float
CPW5V-12 / CPWH5V-12	1/2	115	1	11.5	20'	Vertical Float
CPW5V-13 / CPWH5V-13	1/2	115	1	11.5	30'	Vertical Float
CPW5-22 / CPWH5-22	1/2	230	1	5.75	20'	Manual
CPW5A-22 / CPWH5A-22	1/2	230	1	5.75	20'	Wide-Angle Float
CPW5V-22 / CPWH5V-22	1/2	230	1	5.75	20'	Vertical Float