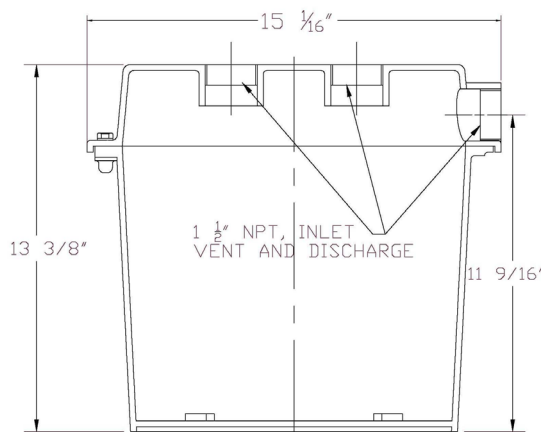


### FEATURES/BENEFITS

- High Efficient Motor With Upper & Lower Ball Bearings/Runs Cooler & Last Longer
- Vortex Impeller/ Helps Prevent Clogging
- Sealed Entry-Replaceable Power Cord/ Easy To Replace In The Field, Prevents Water From Entering The Motor Housing Through A Cut Power Cord
- Piggy-Back Switch Design/Defective Switches Can Be Diagnosed By Phone; Pump Can Be Operated Manually by Overriding The Switch
- Every Pump Is Tested In Water/Ensures That The Pump Meets Head & Flow Requirements

### APPLICATIONS

- Laundry Trays, Wet Bars, Utility Sinks, Dehumidifying/Air Conditioning Units



### CHAMPION PUMP - PUMP PERFORMANCE CURVE



Model	HP	Volts	Phase	Amps	Cord Length	Switch
CPS3V-11	1/3	115	1	4.0	10	Vertical Float
CPS3V-12	1/3	115	1	4.0	20	Vertical Float