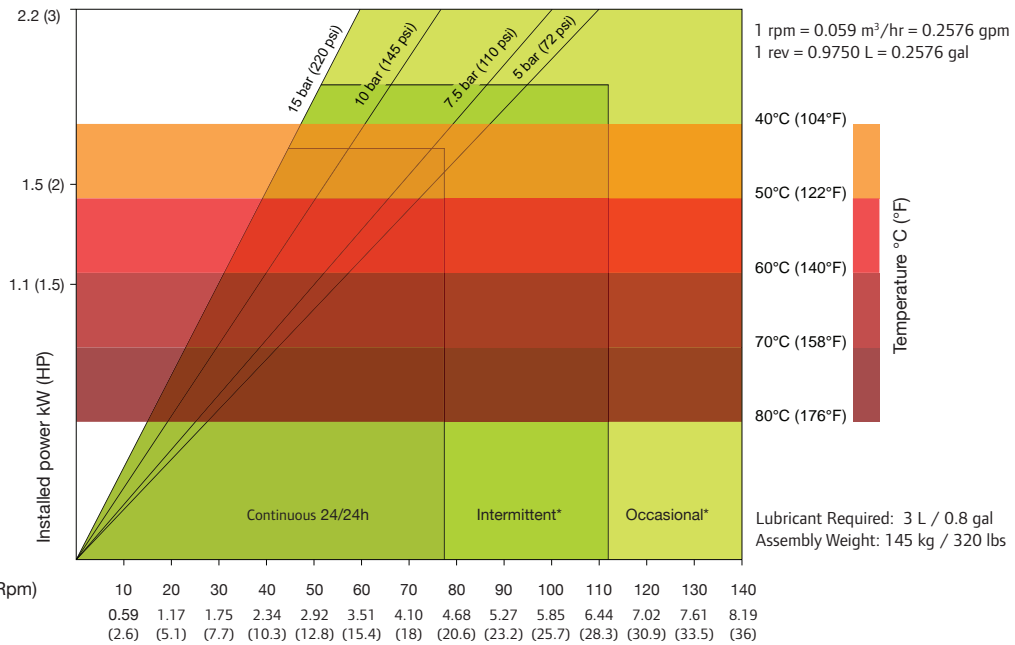




ALH40

Data Sheet



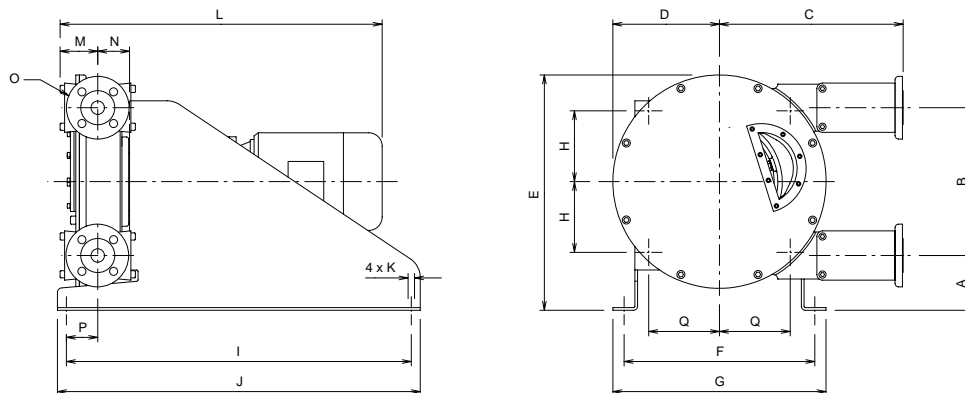
*Intermittent use : minimum one hour stop after 2 hours run / *Occasional use : maximum one hour a day

SHOE SHIMMING TABLE - ALH40		
Pressure bar (psi)	Speed - Rpm	Number of shims* - thickness 0.5 mm (0.019 in)
ΔP ≤ 5 (72.5)	0 to 40	0
	40 to 160	0
5 (72.5) ≤ ΔP ≤ 7.5 (108.75)	0 to 40	2
	40 to 125	1
7.5 (108.75) ≤ ΔP ≤ 10 (145)	0 to 40	3
	40 to 105	2
10 (145) ≤ ΔP ≤ 15 (217.5)	0 to 40	4
	40 to 90	3

*Remove one shim if temperature exceeds 60° Celsius (140° Fahrenheit)

DIMENSIONS

mm (Inch)



TYPE	A	B	C	D	E	F	G	H	I	J	K	L	M	N	O	P	Q
ALH40	121 (4.8)	330 (13.0)	438 (17.2)	237 (9.3)	524 (20.6)	424 (16.7)	474 (18.7)	158 (6.2)	770 (30.3)	800 (31.5)	4xø13 (4xø0.5)	-	85 (3.3)	75 (2.9)	DN40 PN16 ANSI 1.5 in / 150#	91.5 (3.6)	158 (6.2)