



FLOMAX[®] 40

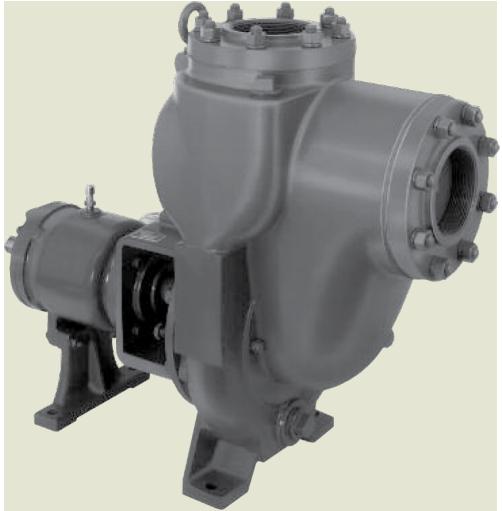
4" x 4" Self Priming Centrifugal Pump

FLOMAX[®] 40 self-priming centrifugal pumps are capable of creating vacuum sufficient to lift liquids from heights up to 25 feet above the source. Once primed, the pump's built in flapper valve will maintain a full column of liquid in the suction line.

A FLOMAX[®] 40 PumPAK[®] is a fully assembled and run tested pump end that can be easily coupled to a number of drivers such as 215JP frame motors and gas engines. A bearing pedestal is also available for T-frame motor or belt drive.

Standard features include stainless steel drive sleeve, stainless steel fasteners, renewable wear plate, and a semi-open dynamically balanced impeller. Options include double grease-lubricated seals, stainless steel impeller and seals for all types of abrasive and/or corrosive services.

The FLOMAX[®] series of pumps are commonly used in Industrial, OEM, Agricultural and Marine applications, such as: Bilge Pumps, Auxiliary Fire Pumps, Ballast Transfer Pumps, Washdown Pumps, Fertilizer and Pesticide Pumps, Applicators & Sprayers, Blending Pumps, Nurse Tanks, Bulk Transfer Pumps and much more.



Application:

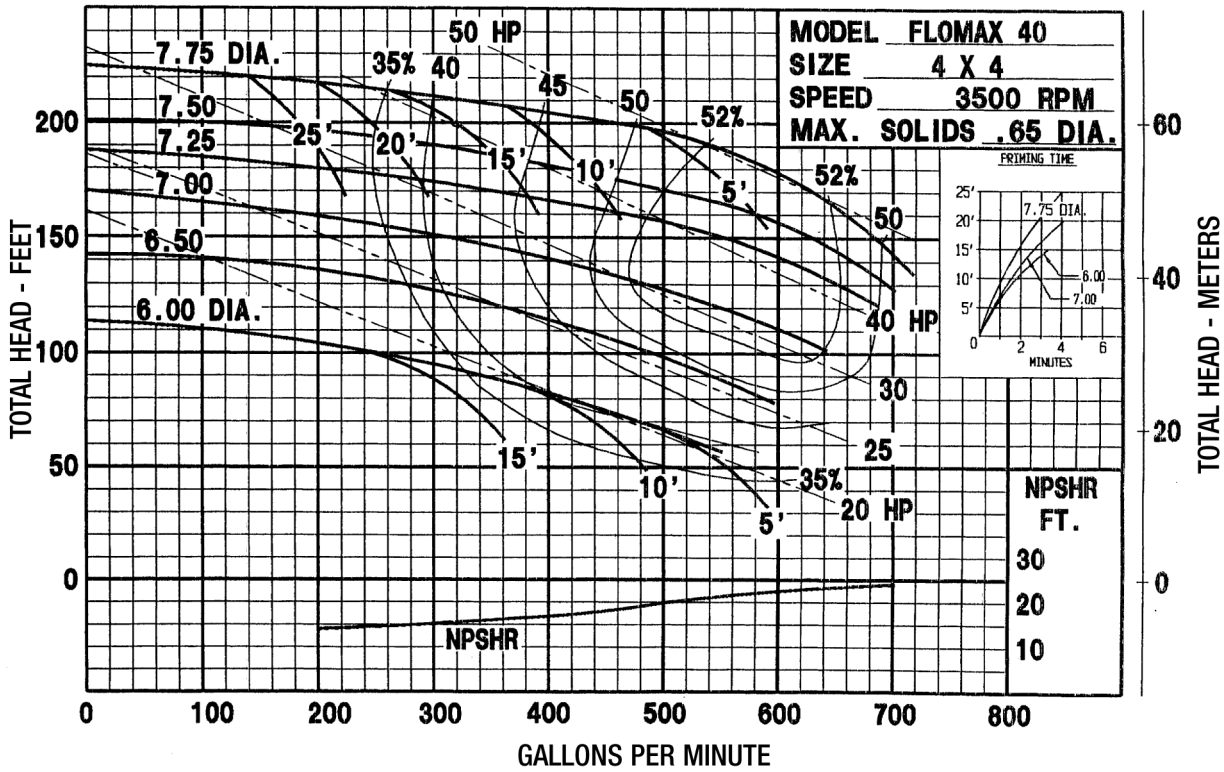
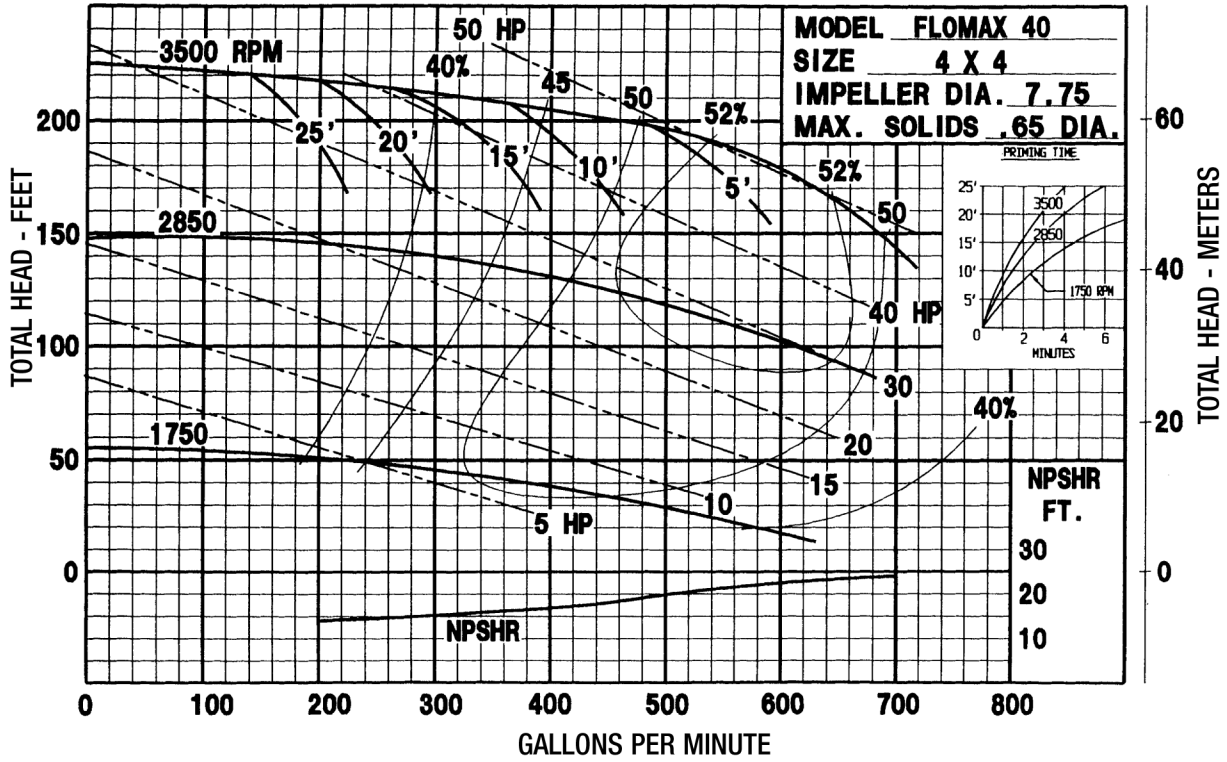
- Agricultural
- Industrial
- Marine
- OEM

Features:

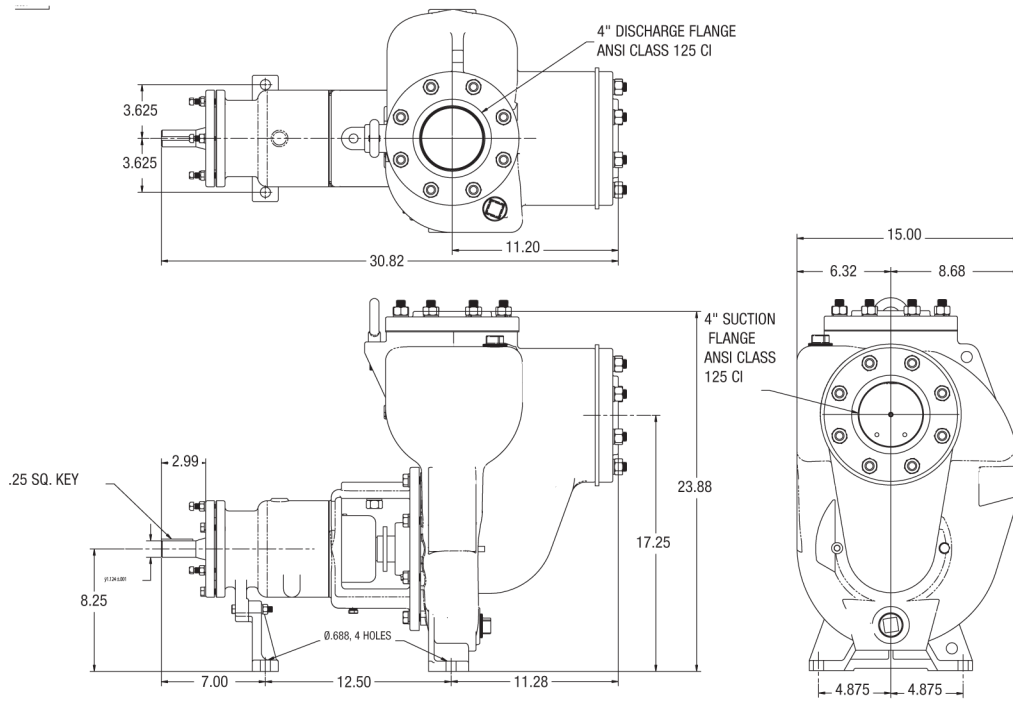
- Renewable wear plate
- Stainless steel drive sleeve
- Stainless steel fasteners
- Up to a 25' suction lift

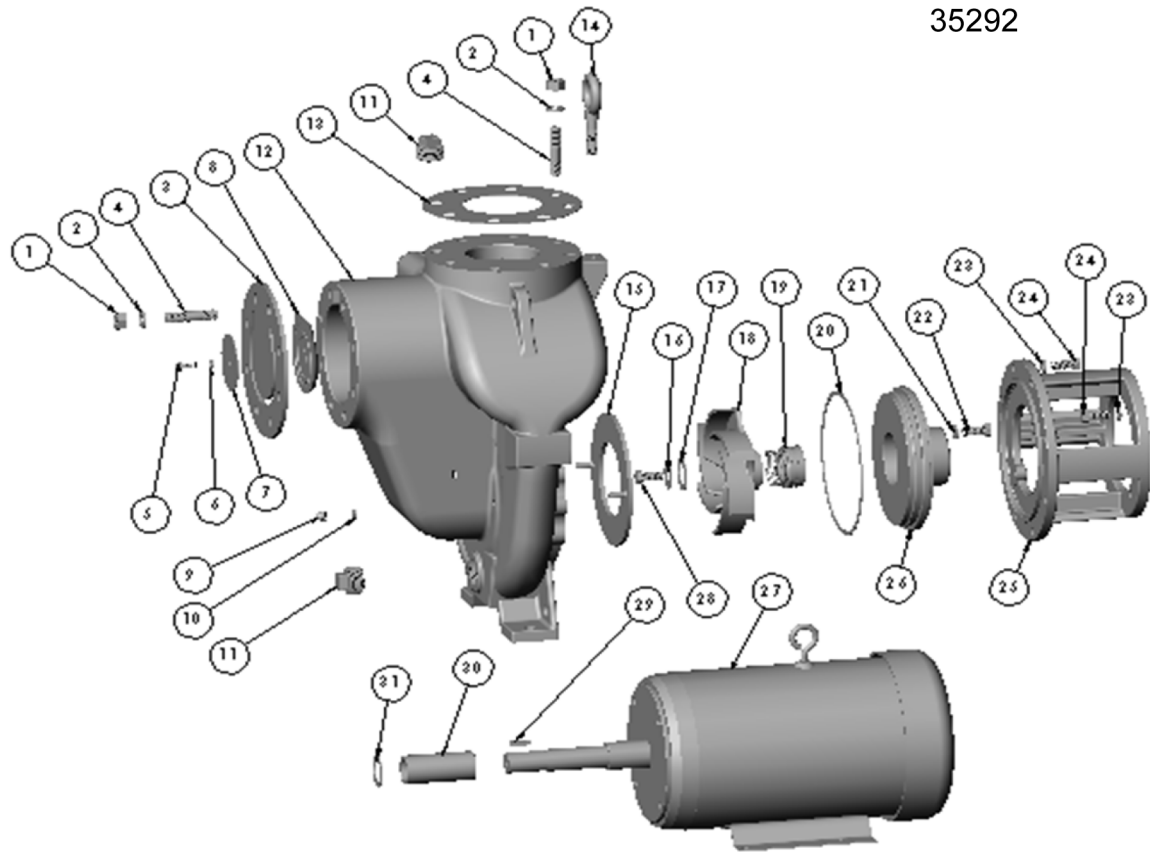
SPECIFICATIONS:

Suction and Discharge	.. 4" x 4" NPT
Materials of Construction	Cast iron
Flow Up to 750 GPM
Head Feet Up to 225'
Impeller 7.75" max diameter - semi open
Max Solid Size65"
Motor Up to 50 HP
Drive Options Pedestal PumPAK [®] (without motor)
Seal Special seal material combinations available (consult factory). Standard carbon / ceramic / Viton



FLOMAX[®] 40

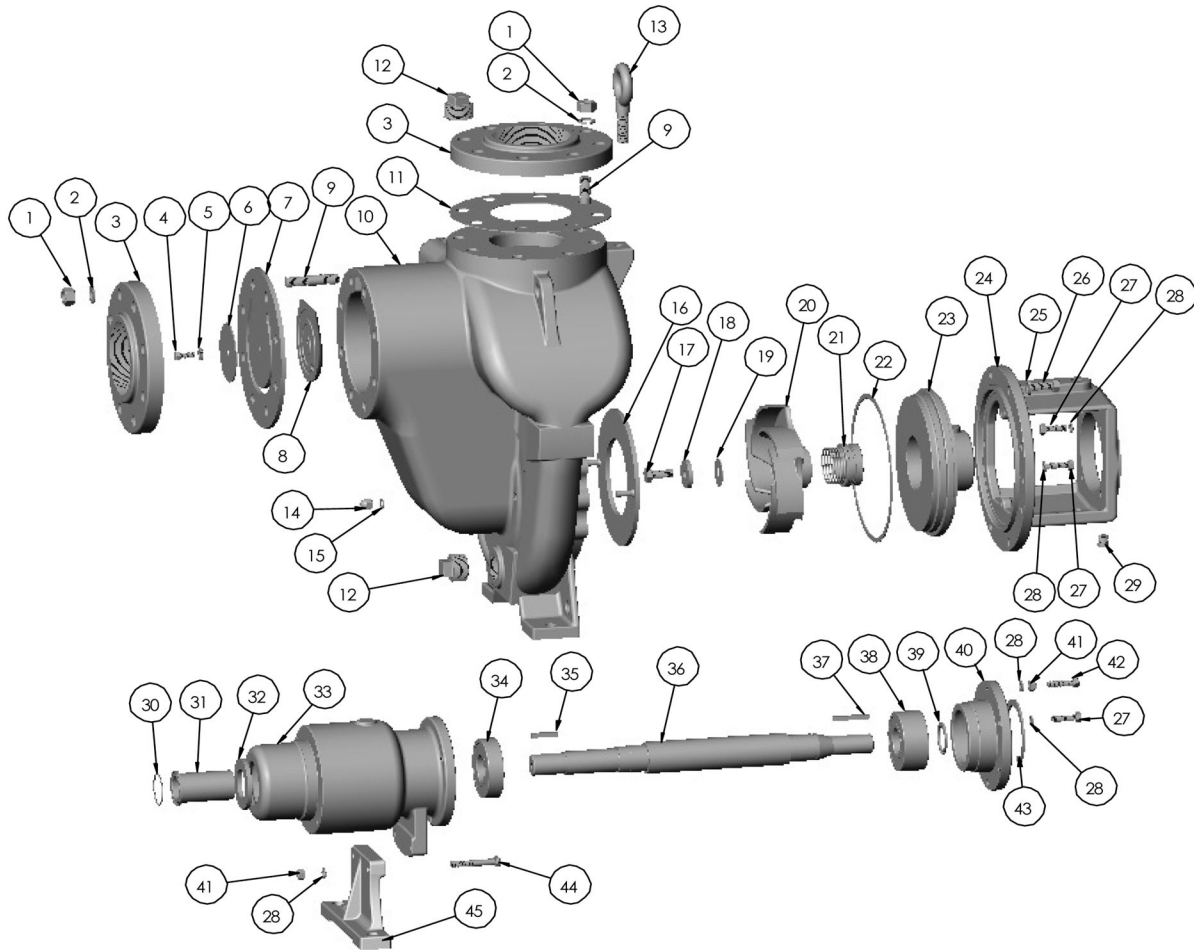




ITEM NO.	PART NO.	DESCRIPTION	QTY.
1	34287	HEX NUT S.S. 5/8-11	16
2	26853	LOCKWASHER S.S. 5/8	16
* 3	40690	GASKET - CHECKVALVE	1
4	34282	STUD S.S. 5/8-11 X 3"	16
5	34814	CAPSCREW S.S. 5/16-18 X 7/8	1
6	21238	LOCKWASHER S.S. 5/16	1
7	41821	CHECKVALVE WEIGHT STL	1
8	40556	CHECKVALVE WEIGHT CI- UPPER	1
* 9	34815	ACORN NUT S.S. 3/8-16	2
* 10	21271	ANNULAR GASKET	2
11	27205	PIPE PLUG CI 1.25 NPT	2
12	35704	HOUSING DI	1
* 13	27204	GASKET - DISCHARGE	1
14	26686	EYE BOLT 5/8-11 X 2.12	1
* 15	27202	WEAR PLATE STL	1
* 16	34817	WASHER S.S. 1.7 X .516 X .25	1
* 17	27403	GASKET - 1.7 X .56 X .03	1

ITEM NO.	PART NO.	DESCRIPTION	QTY.
18	28149	IMPELLER DI 7.75 DIA.	1
* 19	26685	SEAL CERAMIC 1.75 DIA.	1
* 20	27758	GASKET - HOUSING	1
21	21266	LOCKWASHER S.S. 3/8"	2
22	21274	CAPSCREW S.S. 3/8-16 X 1.25	2
23	21254	LOCKWASHER S.S. 1/2	12
24	21246	CAPSCREW S.S. 1/2-13 X 1.25	12
25	35128	ADAPTER C - 215JP	1
26	36659	ADAPTER CI	1
27	35155	EL. MTR. 10HP, 3PH, 215JP, 1725 RPM, TEFC	1
* 28	34816	SEAL BOLT S.S. 1/2-13 X 1.25	1
29	26796	SQ. KEY 1/4 X 1/4 X 2.13	1
30	26678	SLEEVE S.S.	1
* 31	27404	GASKET .06 THK	1

*- RECOMMENDED REPLACEMENT PARTS



ITEM NO.	PART NO.	DESCRIPTION	QTY.
1	22461	HEX NUT 5/8-11	16
2	26258	LOCKWASHER 5/8	16
3	27201	FLANGE INLET/OUTLET	2
4	21242	CAPSCREW 5/16-18 X 7/8"	1
5	21238	LOCKWASHER 5/16	1
6	41821	CHECKVALVE WEIGHT	1
* 7	40690	GASKET- CHECKVALVE	1
8	40556	CHECKVALVE WEIGHT- UPPER	1
9	27206	STUD 5/8-11 X 3"	16
10	27190	HOUSING	1
* 11	27204	GASGET - DISCHARGE	1
12	27205	PIPE PLUG 1.25	2
13	26686	EYE BOLT 5/8-11 X 2.12"	1
* 14	21263	ACORN NUT 3/8-16	2
* 15	21271	ANNULAR GASKET	2
* 16	27202	WEAR PLATE	1
* 17	26674	SEAL BOLT 1/2-13 X 1.25"	1
* 18	26675	WASHER	1
* 19	27403	GASKET- RULON	1
* 20	28149	IMPELLER- 7.75" DIA.	1
* 21	26685	MECH. SEAL 1.75"	1
* 22	27758	GASKET - HOUSING	1
23	26659	ADAPTER - MECH. SEAL	1

ITEM NO.	PART NO.	DESCRIPTION	QTY.
24	26661	ADAPTER	1
25	21254	LOCKWASHER 1/2"	8
26	21246	CAPSCREW 1/2-13 X 1.25	8
27	21274	CAPSCREW 3/8-16 X 1.25	9
28	21266	LOCKWASHER 3/8"	14
29	41475	PIPEPLUG 1/4"	1
* 30	33472	O-RING VITON - AS 568-031	1
31	33059	SLEEVE S.S.	1
32	26680	SLINGER NEOPRENE	1
33	33056	BODY	1
* 34	33053	BALL BEARING	1
35	25299	SQ. KEY 1/4 X 1/4 X 1.25	1
* 36	33052	SHAFT- STEEL	1
37	26796	SQ. KEY 1/4 X 1/4 X 2.12	1
* 38	33054	BALL BEARING	1
39	33057	SNAP RING	1
40	33051	BEARING RETAINER	1
41	21268	HEXNUT 3/8 - 16	5
42	43926	SET SCREW DOG POINT 3/8-16 X 1.5	3
43	33058	SNAP RING	1
44	21275	H.H. CAPSCREW 3/8-16 X 2.5	2
45	26667	BRACKET	1

*- RECOMMENDED REPLACEMENT PARTS



34800 BENNETT • FRASER, MI 48026-1686
 (586) 293-8240 • FAX (586) 293-8469
 (800) 563-8006 • www.mppumps.com