



FLOMAX[®] 8

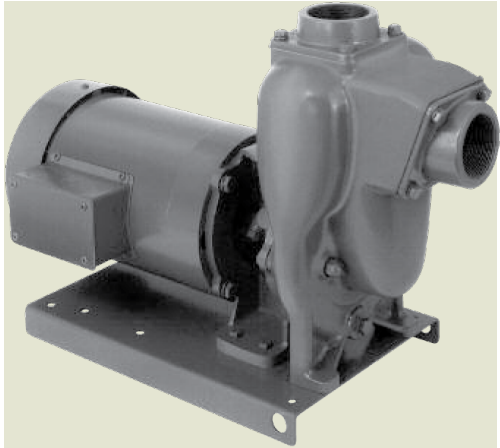
2" x 2" Self Priming Centrifugal Pump

FLOMAX[®] 8 self-priming centrifugal pumps are capable of creating vacuum sufficient to lift liquids from heights up to 25 feet above the source. Once primed, the pump's built in flapper valve will maintain a full column of liquid in the suction line.

A FLOMAX[®] 8 PumPAK[®] is a fully assembled and run tested pump end that can be easily coupled to a number of drivers such as hydraulic motors, 56C and 145TC frame motors and gas engines. A bearing pedestal is also available for T-frame motor or belt drive.

Standard features include stainless steel drive sleeve, stainless steel fasteners, renewable wearplate, and a semi-open dynamically balanced impeller. Options include double grease-lubricated seals, stainless steel impeller and seals for all types of abrasive and/or corrosive services.

The FLOMAX[®] series of pumps are commonly used in Industrial, OEM, Agricultural and Marine applications, such as: Bilge Pumps, Auxiliary Fire Pumps, Ballast Transfer Pumps, Washdown Pumps, Fertilizer and Pesticide Pumps, Applicators & Sprayers, Blending Pumps, Nurse Tanks, Bulk Transfer Pumps and much more.



Application:

- Agricultural
- Industrial
- Marine
- OEM

Features:

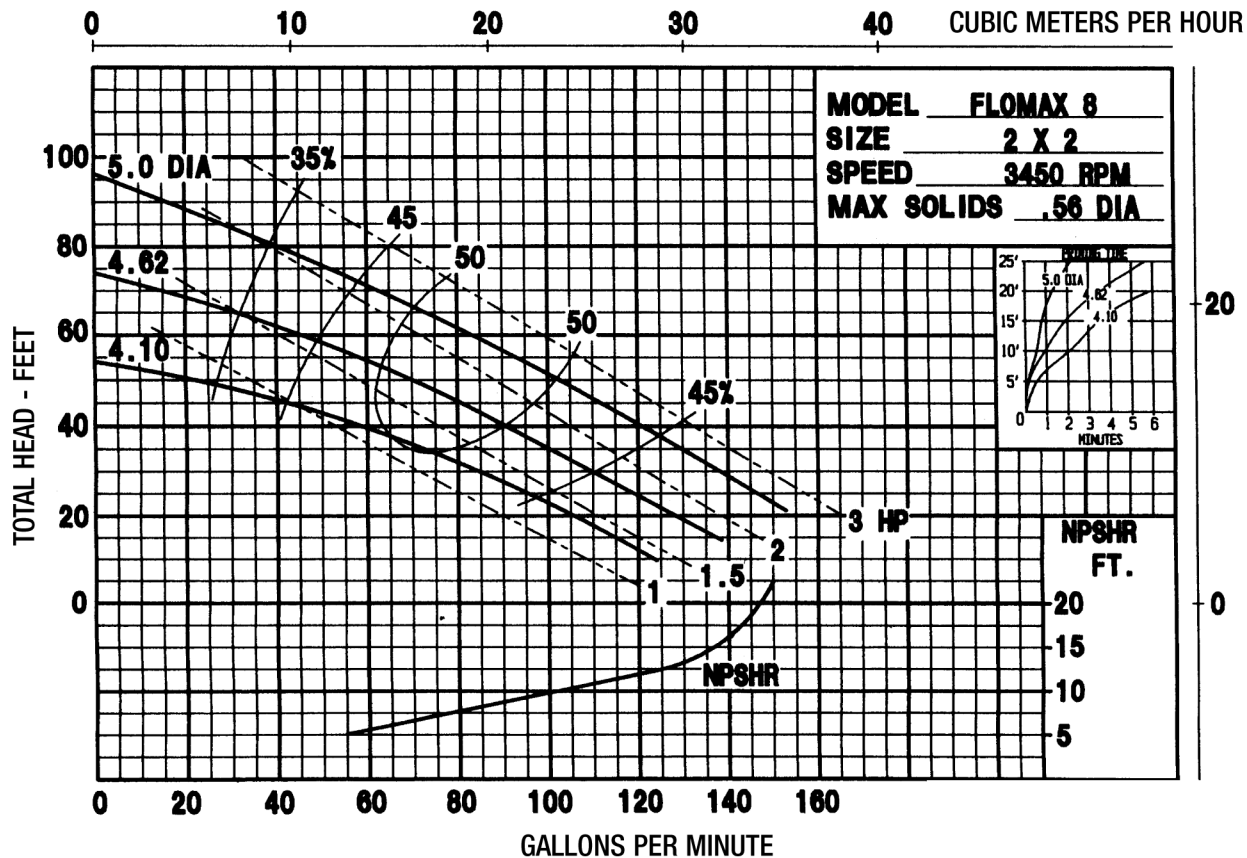
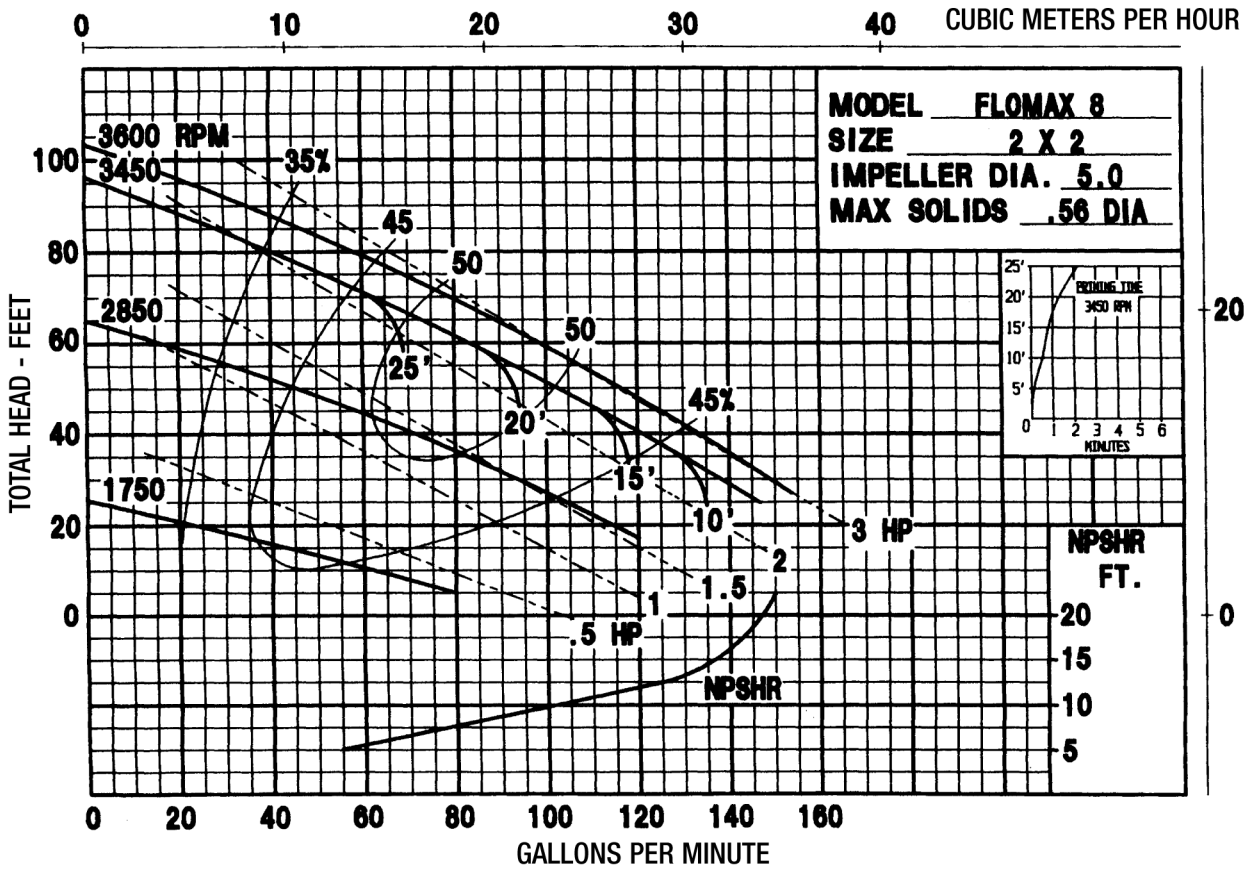
- Renewable wear plate
- Stainless steel drive sleeve
- Stainless steel fasteners
- Up to a 25' suction lift

Options:

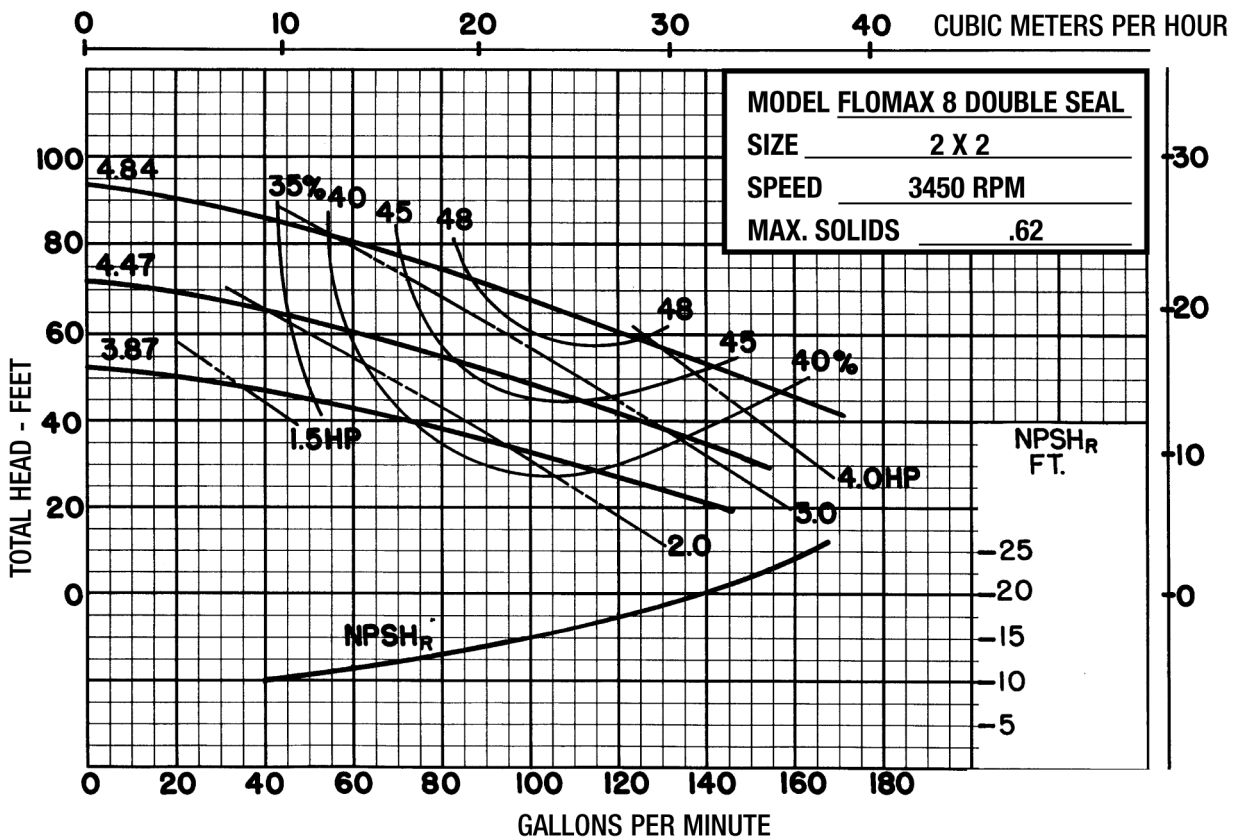
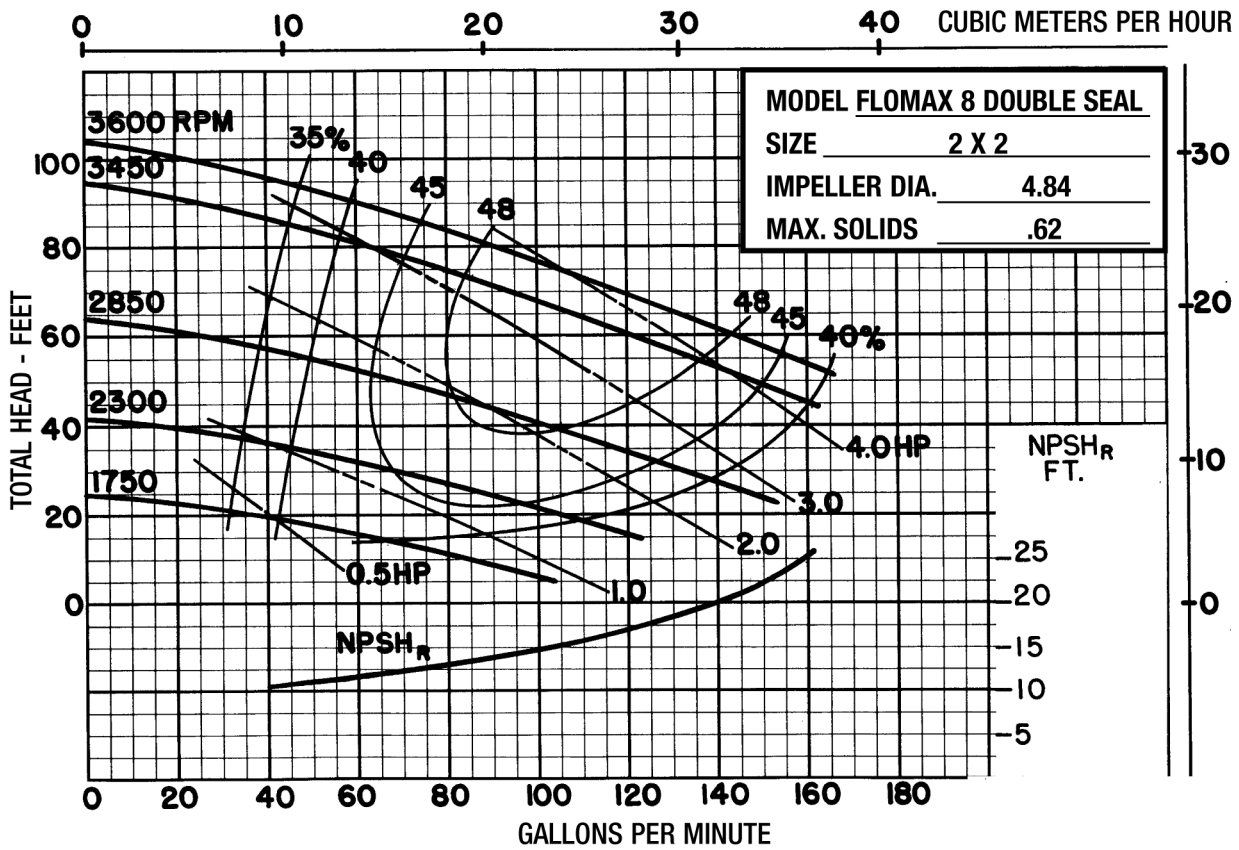
- 5 blade impeller available for higher flows
- Base plate shown above is optional
- Double seal available for dry run applications
- Flanges not included on S.S. models
- Hydraulic motor .22 cu. in.
- Hydraulic motor .37 cu. in.
- Hydraulic motor .45 cu. in.

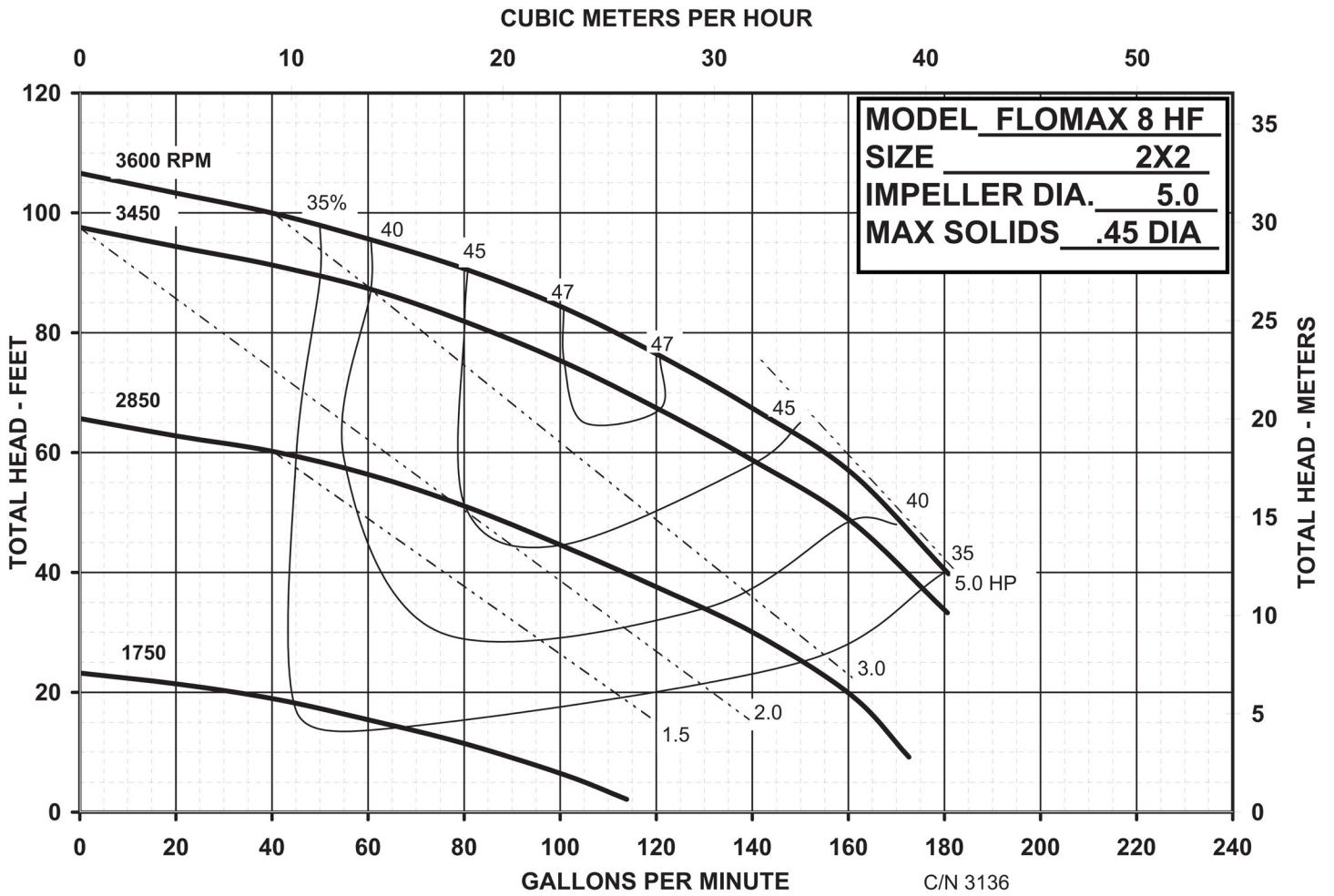
SPECIFICATIONS:

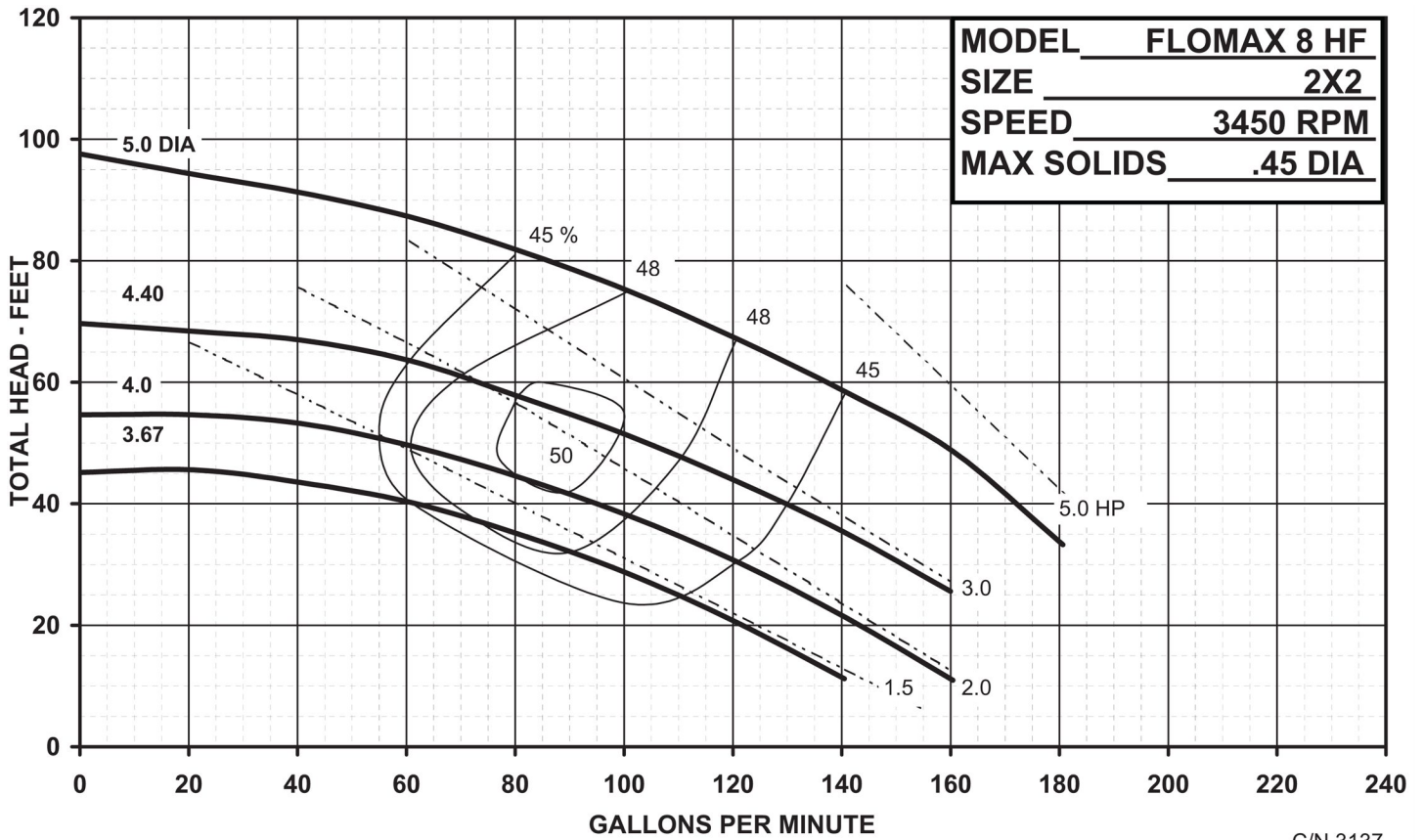
| | |
|---------------------------|---|
| Suction and Discharge | .. 2" x 2" NPT |
| Materials of Construction | 316 stainless steel Aluminum Bronze Cast iron |
| Flow | Up to 150 GPM |
| Head Feet | Up to 100' |
| Impeller | 5.0" max diameter, semi-open |
| Max Solid Size |56" |
| Motor | Up to 3 HP |
| Drive Options | Close coupled 145TC Close coupled 56C Engine mount 5.5 HP Engine mount 6.5 HP Pedestal PumPAK [®] (without motor) |
| Seal | Special seal material combinations available (consult factory) Standard carbon / ceramic / Viton |



34800 BENNETT • FRASER, MI 48026-1686
 (586) 293-8240 • FAX (586) 293-8469
 (800) 563-8006 • www.mppumps.com



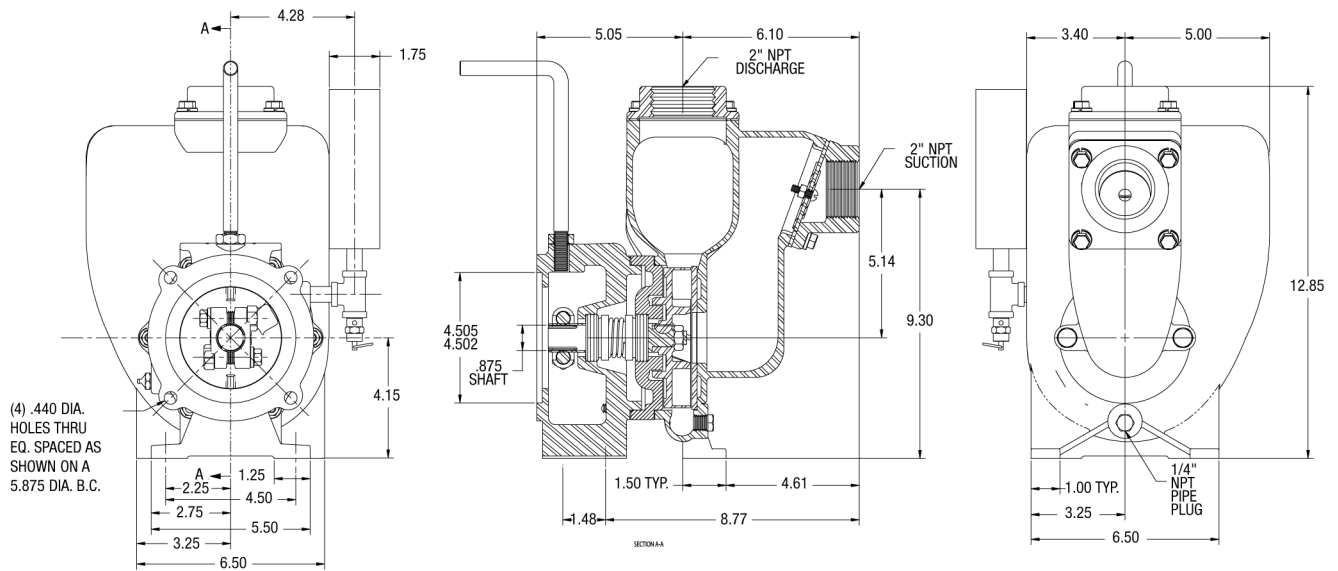
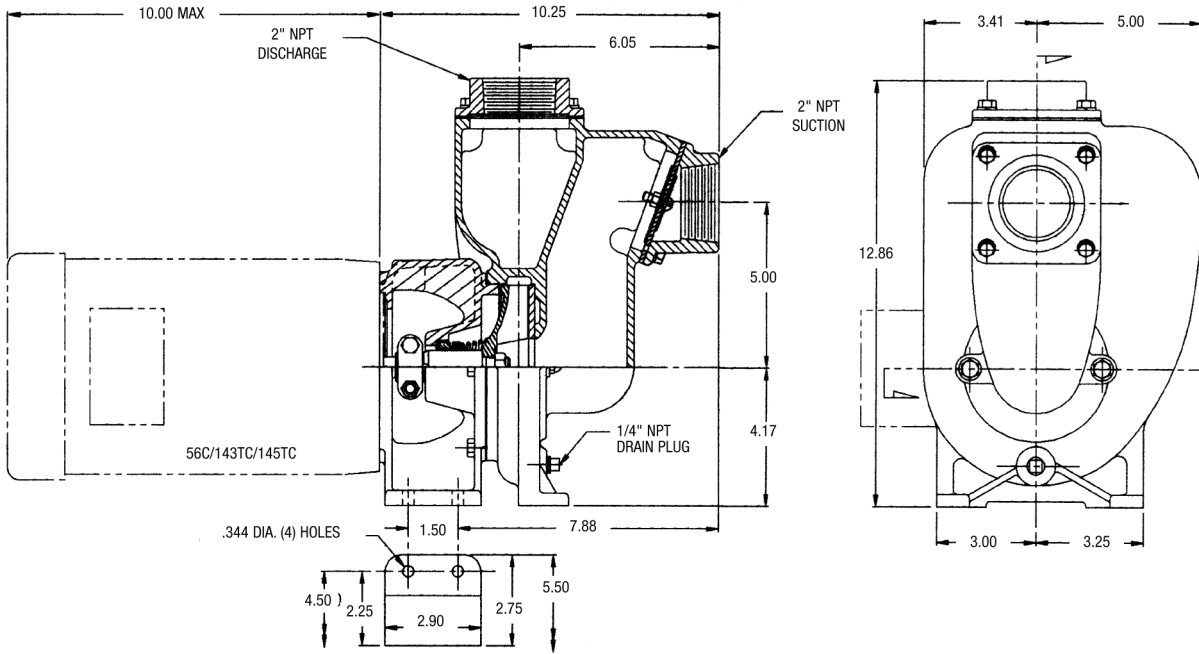


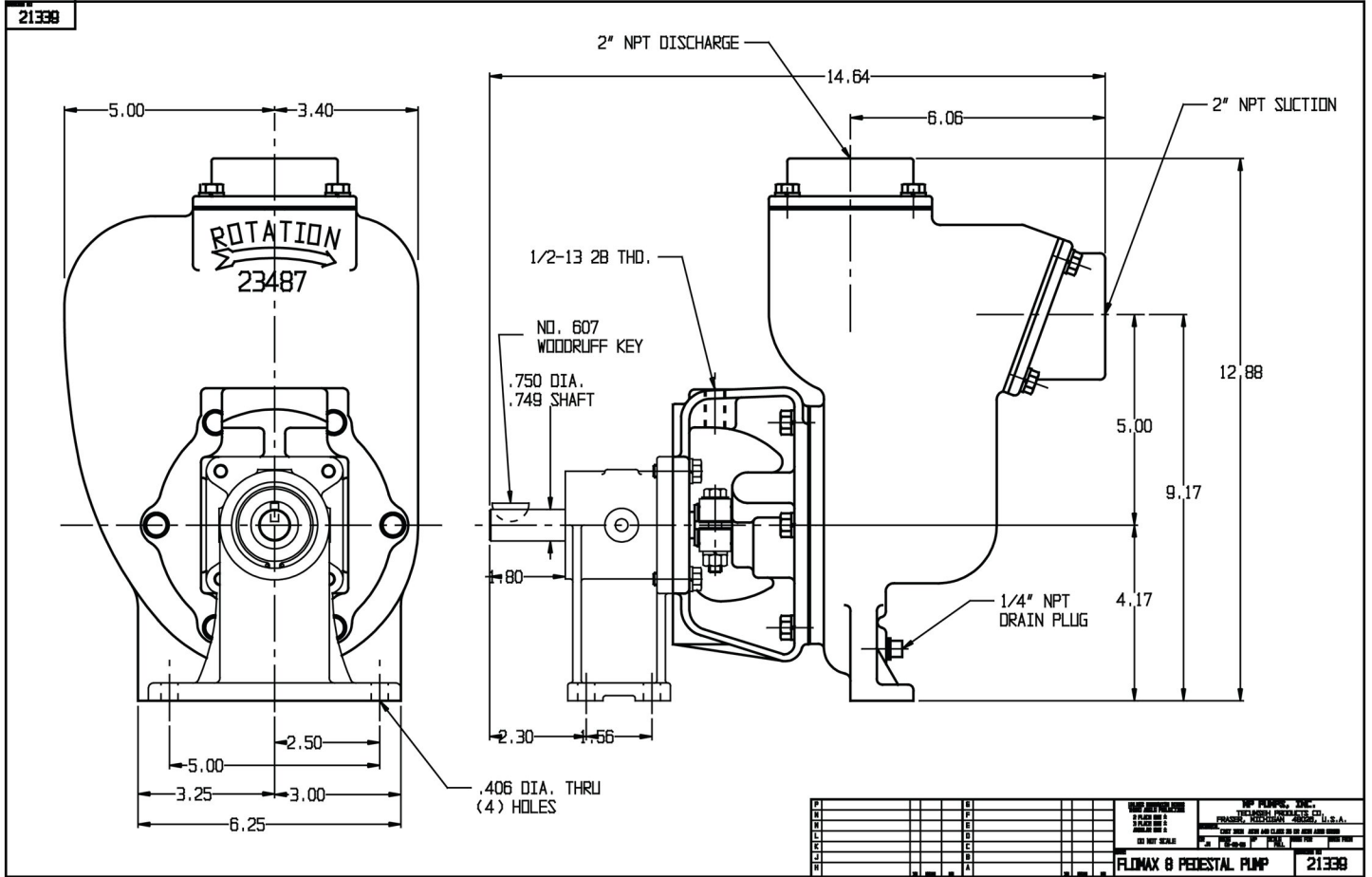


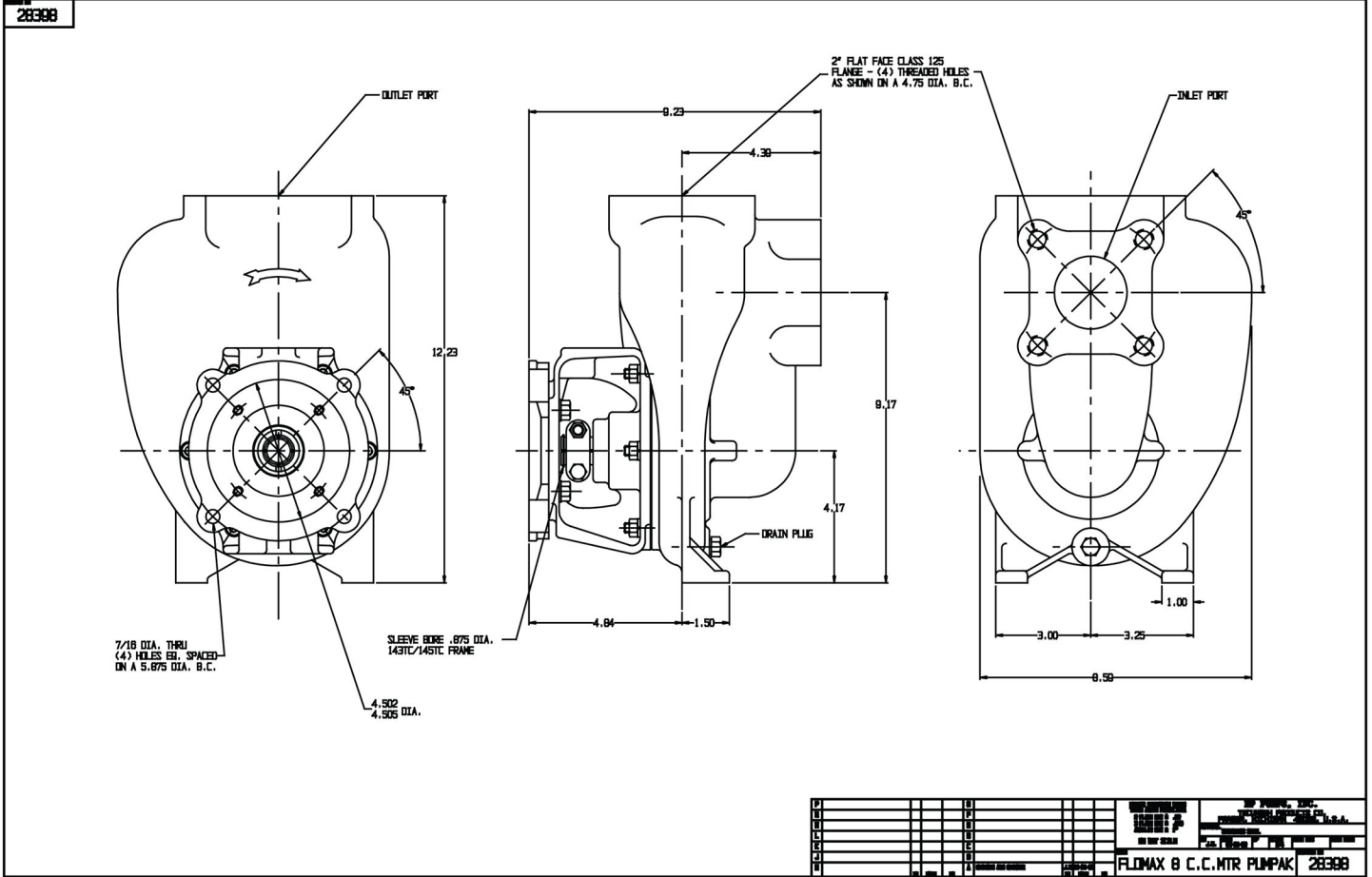
C/N 3137



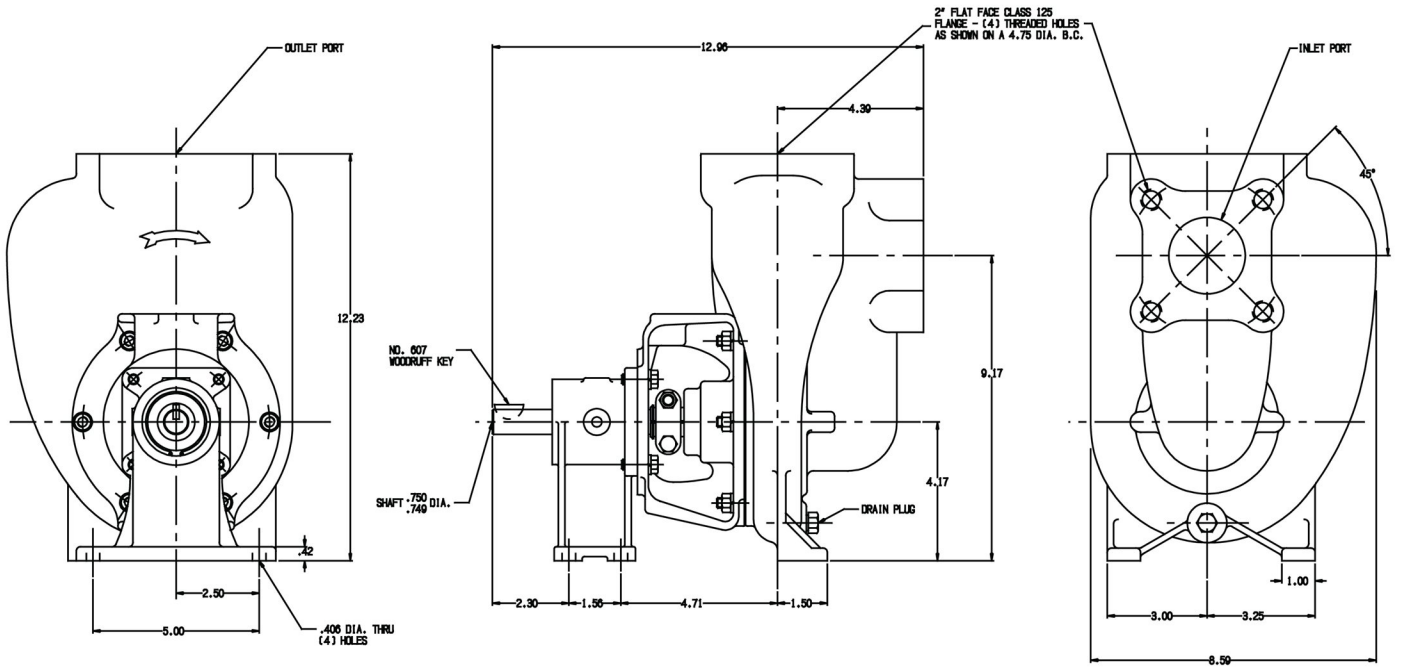
34800 BENNETT • FRASER, MI 48026-1686
 (586) 293-8240 • FAX (586) 293-8469
 (800) 563-8006 • www.mppumps.com







28399



| | | | | | | | |
|---|--|--|--|--|--|-----------------------|-----------------------|
| P | | | | | | MP PUMPS, INC. | MP PUMPS, INC. |
| M | | | | | | FRASER, MI 48026-1686 | FRASER, MI 48026-1686 |
| N | | | | | | FRASER, MI 48026-1686 | FRASER, MI 48026-1686 |
| L | | | | | | FRASER, MI 48026-1686 | FRASER, MI 48026-1686 |
| S | | | | | | FRASER, MI 48026-1686 | FRASER, MI 48026-1686 |
| E | | | | | | FRASER, MI 48026-1686 | FRASER, MI 48026-1686 |
| T | | | | | | FRASER, MI 48026-1686 | FRASER, MI 48026-1686 |
| | | | | | | FRASER, MI 48026-1686 | FRASER, MI 48026-1686 |
| | | | | | | FRASER, MI 48026-1686 | FRASER, MI 48026-1686 |
| | | | | | | FRASER, MI 48026-1686 | FRASER, MI 48026-1686 |
| | | | | | | FRASER, MI 48026-1686 | FRASER, MI 48026-1686 |
| | | | | | | FRASER, MI 48026-1686 | FRASER, MI 48026-1686 |
| | | | | | | FRASER, MI 48026-1686 | FRASER, MI 48026-1686 |
| | | | | | | FRASER, MI 48026-1686 | FRASER, MI 48026-1686 |
| | | | | | | FRASER, MI 48026-1686 | FRASER, MI 48026-1686 |
| | | | | | | FRASER, MI 48026-1686 | FRASER, MI 48026-1686 |
| | | | | | | FRASER, MI 48026-1686 | FRASER, MI 48026-1686 |
| | | | | | | FRASER, MI 48026-1686 | FRASER, MI 48026-1686 |
| | | | | | | FRASER, MI 48026-1686 | FRASER, MI 48026-1686 |
| | | | | | | FRASER, MI 48026-1686 | FRASER, MI 48026-1686 |
| | | | | | | FRASER, MI 48026-1686 | FRASER, MI 48026-1686 |

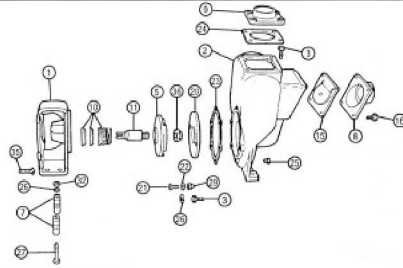


34800 BENNETT • FRASER, MI 48026-1686
 (586) 293-8240 • FAX (586) 293-8469
 (800) 563-8006 • www.mppumps.com

MP PUMPS SERVICE PARTS LIST

- Self Priming
- Electric Motor Drive
- Pumpak
- Close Coupled

Flomax 5 1 1/2" x 1 1/2" Pipe Size
Flomax 8 2" x 2" Pipe Size



IMPORTANT: Read special instructions for item 10.
 When ordering parts, specify model and serial number shown on nameplate.
 N/S means not shown in exploded view of parts.

| ITEM NO. | PART NO. | DESCRIPTION | QUANTITY REQUIRED PER MODEL | | | | | |
|----------------|----------|---|-----------------------------|-------|-----------|-------|--------|-------|
| | | | METAL | | CAST IRON | | BRONZE | |
| | | | FLOMAX MODEL NO. | 5 | 8 | 5 | 8 | 5 |
| | | 7/8" sleeve | 26074 | 25922 | 26262 | 26066 | 26268 | 26066 |
| | | 5/8" sleeve | 25979 | 26079 | 26260 | 26264 | 26223 | 25984 |
| HOUSING | | | | | | | | |
| | 23021 | Housing Assembly Cast Iron — Incl. | 1 | 1 | | | | |
| 2 | | Housing — Cast Iron | 1 | 1 | | | | |
| 3 | 24965 | Capscrew — S.S. — 5/16" x 3/4" | 6 | 6 | | | | |
| 25 | 21267 | Pipe Plug — 1/4" | 1 | 1 | | | | |
| | 32019 | Housing Assembly R.H. Aluminum Inc. | | | 1 | 1 | | |
| 2 | | Housing — Aluminum | | | 1 | 1 | | |
| 3 | 24965 | Capscrew — S.S. — 5/16" x 3/4" | | | 6 | 6 | | |
| 25 | 21267 | Pipe Plug — 1/4" | | | 1 | 1 | | |
| | 23020 | Housing Assembly Housing — Bronze | | | | | 1 | 1 |
| 2 | | Housing — Bronze | | | | | 1 | 1 |
| 3 | 24965 | Capscrew — S.S. — 5/16" x 3/4" | | | | | 6 | 6 |
| 25 | 21267 | Pipe Plug — 1/4" | | | | | 1 | 1 |
| 16 | 21242 | Capscrew — S.S. — 5/16" — Flanges | 8 | 8 | 8 | 8 | 8 | 8 |
| 26 | 21238 | Lockwasher — S.S. — 5/16" Housing to Suction — 4 Housing to Discharge — 4 | 8 | 8 | 8 | 8 | 8 | 8 |
| 15 | 23022 | Flapper Assembly | 1 | 1 | 1 | 1 | 1 | 1 |
| 23 | 22255 | Gasket — Housing to Adapter | 1 | 1 | 1 | 1 | 1 | 1 |
| 24 | 22256 | Gasket — Outer to Housing | 1 | 1 | 1 | 1 | 1 | 1 |
| FLANGES | | | | | | | | |
| 8 | 22263 | Flange — Inlet — Cast Iron — 1-1/2" | 1 | 1 | | | | |
| 8 | 22387 | Flange — Inlet — Cast Iron — 2" | | | | | | |
| 8 | 22261 | Flange — Inlet — Aluminum — 1-1/2" | | | 1 | | | |
| 8 | 22385 | Flange — Inlet — Aluminum — 2" | | | | 1 | | |
| 8 | 22262 | Flange — Inlet — Bronze — 1-1/2" | | | | | 1 | |

MP PUMPS, INC.
 34800 BENNETT • FRASER, MI 48026-1686
 (586) 293-8240 • FAX (586) 293-8468
 (800) 563-8006 • www.mppumps.com

FORM 7052-F
 PRINTED IN U.S.A. (8-97)



34800 BENNETT • FRASER, MI 48026-1686
 (586) 293-8240 • FAX (586) 293-8469
 (800) 563-8006 • www.mppumps.com

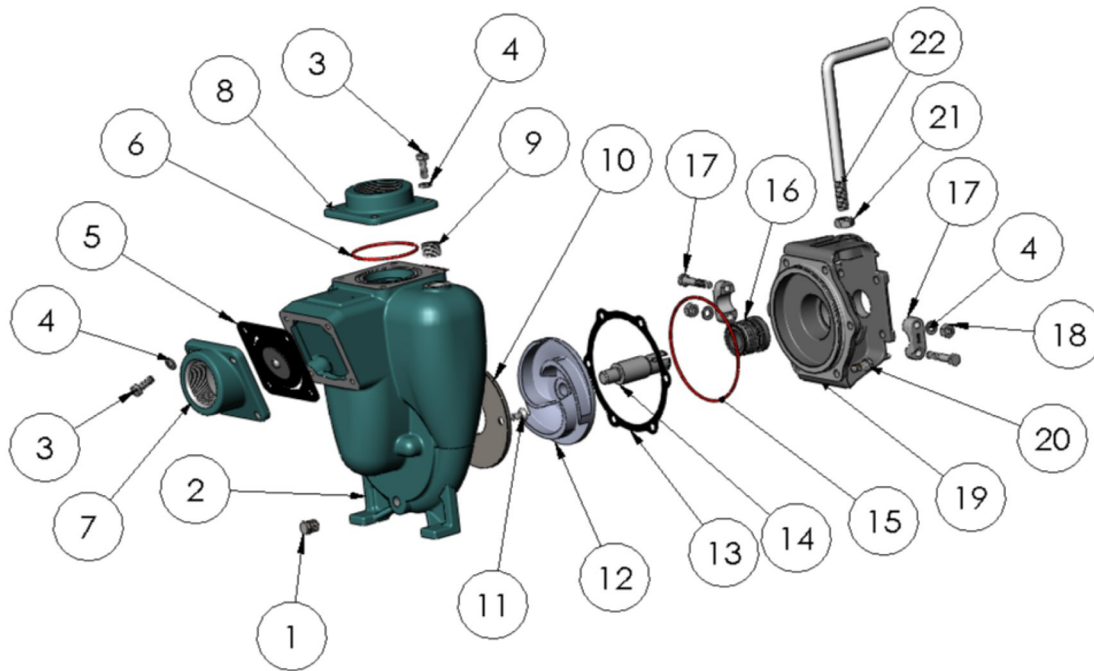
| ITEM NO. | PART NO. | DESCRIPTION | QUANTITY REQUIRED PER MODEL | | | | | | | |
|--|----------|---|-----------------------------|-----------|-------|----------|-------|--------|-------|-------|
| | | | METAL | CAST IRON | | ALUMINUM | | BRONZE | | |
| | | | FLOMAX | 5 | 8 | 5 | 8 | 5 | 8 | |
| | | | MODEL NO. | 26074 | 25922 | 26262 | 26066 | 26268 | 26066 | 25984 |
| | | | 7/8" sleeve | 25979 | 26079 | 26260 | 26264 | 26223 | 25984 | |
| | | | 5/8" sleeve | | | | | | | |
| FLANGES - Continued | | | | | | | | | | |
| 8 | 22386 | Flange — Inlet — Bronze — 2" | | | | | | | | 1 |
| 9 | 22266 | Flange — Outlet — Cast Iron — 1-1/2" | 1 | | | | | | | |
| 9 | 22311 | Flange — Outlet — Cast Iron — 2" | | 1 | | | | | | |
| 9 | 22264 | Flange — Outlet — Aluminum — 1-1/2" | | | | 1 | | | | |
| 9 | 22309 | Flange — Outlet — Aluminum — 2" | | | | | 1 | | | |
| 9 | 22265 | Flange — Outlet — Bronze — 1-1/2" | | | | | | 1 | | |
| 9 | 22310 | Flange — Outlet — Bronze — 2" | | | | | | | | 1 |
| IMPELLER | | | | | | | | | | |
| 5 | 22293 | Impeller — Cast Iron — 5.0" Dia. | 1 | 1 | | | | | | |
| 5 | 24585 | Impeller — Cast Iron — 4.8" Dia. | | | | | | | | |
| 5 | 25139 | Impeller — Cast Iron — 4.1" Dia. | | | | | | | | |
| 5 | 22294 | Impeller — Stainless Steel — (Optional) | 1 | 1 | 1 | 1 | 1 | 1 | 1 | 1 |
| 5 | 22291 | Impeller — Aluminum — 5.0" Dia. | | | | 1 | | | | |
| 5 | 22292 | Impeller — Bronze — 5.0" Dia. | | | | | | | 1 | 1 |
| 36 | 22655 | Impeller — Lock Nut — S.S. — 5" | 1 | 1 | 1 | 1 | 1 | 1 | 1 | 1 |
| 11 | 22263 | Drive Sleeve — S.S. 5/8" Bore For NEMA 56C | 1 | 1 | 1 | 1 | 1 | 1 | 1 | 1 |
| 11 | 25664 | Drive Sleeve — S.S. 7/8" Bore For NEMA 184C — 143TC — 143TC | 1 | 1 | 1 | 1 | 1 | 1 | 1 | 1 |
| CLAMP | | | | | | | | | | |
| | 23002 | Clamp Assembly for 5/8" sleeve — 8IC frame — Incl. | 1 | 1 | 1 | 1 | 1 | 1 | 1 | 1 |
| 7 | | Clamp | 2 | 2 | 2 | 2 | 2 | 2 | 2 | 2 |
| 27 | 21264 | Cap screw — S.S. — 5/16" | 2 | 2 | 2 | 2 | 2 | 2 | 2 | 2 |
| 32 | 21284 | Hex Nut — S.S. — 5/16" | 2 | 2 | 2 | 2 | 2 | 2 | 2 | 2 |
| 26 | 21238 | Lockwasher — S.S. — 5/16" | 2 | 2 | 2 | 2 | 2 | 2 | 2 | 2 |
| | 23003 | Clamp Assembly — 7/8" sleeve — 16C — 145TC — 143TC | 1 | 1 | 1 | 1 | 1 | 1 | 1 | 1 |
| 7 | | Clamp | 2 | 2 | 2 | 2 | 2 | 2 | 2 | 2 |
| 27 | 21264 | Cap screw — S.S. — 5/16" | 2 | 2 | 2 | 2 | 2 | 2 | 2 | 2 |
| 32 | 21284 | Hex Nut — S.S. — 5/16" | 2 | 2 | 2 | 2 | 2 | 2 | 2 | 2 |
| 26 | 21238 | Lockwasher — S.S. — 5/16" | 2 | 2 | 2 | 2 | 2 | 2 | 2 | 2 |
| WEAR PLATE | | | | | | | | | | |
| | 23024 | Wear Plate Assembly — Steel — Incl. | 1 | 1 | | | | | | |
| 20 | | Wear Plate — Steel | 1 | 1 | | | | | | |
| 21 | 21249 | Flat Head Screw — S.S. — 5/16" | 2 | 2 | | | | | | |
| 22 | 21248 | Annular Gasket — 1/2" | 2 | 2 | | | | | | |
| | 22270 | Wear Plate Assembly — Aluminum — Incl. | | | 1 | 1 | | | | |
| 20 | | Wear Plate — Aluminum | | | 1 | 1 | | | | |
| 21 | 21249 | Flat Head Screw — S.S. — 5/16" | | | 2 | 2 | | | | |
| 22 | 21248 | Annular Gasket — 1/2" | | | 2 | 2 | | | | |
| | 22271 | Wear Plate Assembly — Bronze — Incl. | | | | | | 1 | 1 | |
| 20 | | Wear Plate — Bronze | | | | | | 1 | 1 | |
| 21 | 21249 | Flat Head Screw — S.S. — 5/16" | | | | | | 2 | 2 | |
| 22 | 21248 | Annular Gasket — 1/2" | | | | | | 2 | 2 | |
| 29 | 21237 | Acorn Nut — S.S. — 5/16" | 2 | 2 | 2 | 2 | 2 | 2 | 2 | 2 |
| SEAL | | | | | | | | | | |
| Be sure you specify whether you want the self-lubricated seal or the grease-lubricated seal. | | | | | | | | | | |
| 10 | 22272 | Seal Assembly — Self-lubricated — Incl. | 1 | 1 | 1 | 1 | 1 | 1 | 1 | 1 |
| *10 | 22290 | Seal Assembly — Grease Lubricated | 1 | 1 | 1 | 1 | 1 | 1 | 1 | 1 |
| | 22313 | Grease Cup N/S | 1 | 1 | 1 | 1 | 1 | 1 | 1 | 1 |
| ADAPTOR | | | | | | | | | | |
| 1 | 25904 | Adaptor — Cast Iron | 1 | 1 | | | | | | |
| 1 | 25948 | Adaptor — Aluminum | | | | 1 | 1 | | | |
| 1 | 26181 | Adaptor — Bronze | | | | | | 1 | 1 | |
| | | Adaptor — Cast Iron — Grease Seal Assembly | 1 | | | 1 | | | | |
| 35 | 21251 | Cap screw 5/16" — Adaptor To Motor | 4 | 4 | 4 | 4 | 4 | 4 | 4 | 4 |
| N/S | 21238 | Lockwasher 5/16" — Adaptor Motor | 4 | 4 | 4 | 4 | 4 | 4 | 4 | 4 |

*Optional for special applications.

MP PUMPS, INC.
 34800 BENNETT • FRASER, MI 48026-1686
 (586) 293-8240 • FAX (586) 293-8469
 (800) 563-8006 • www.mppumps.com

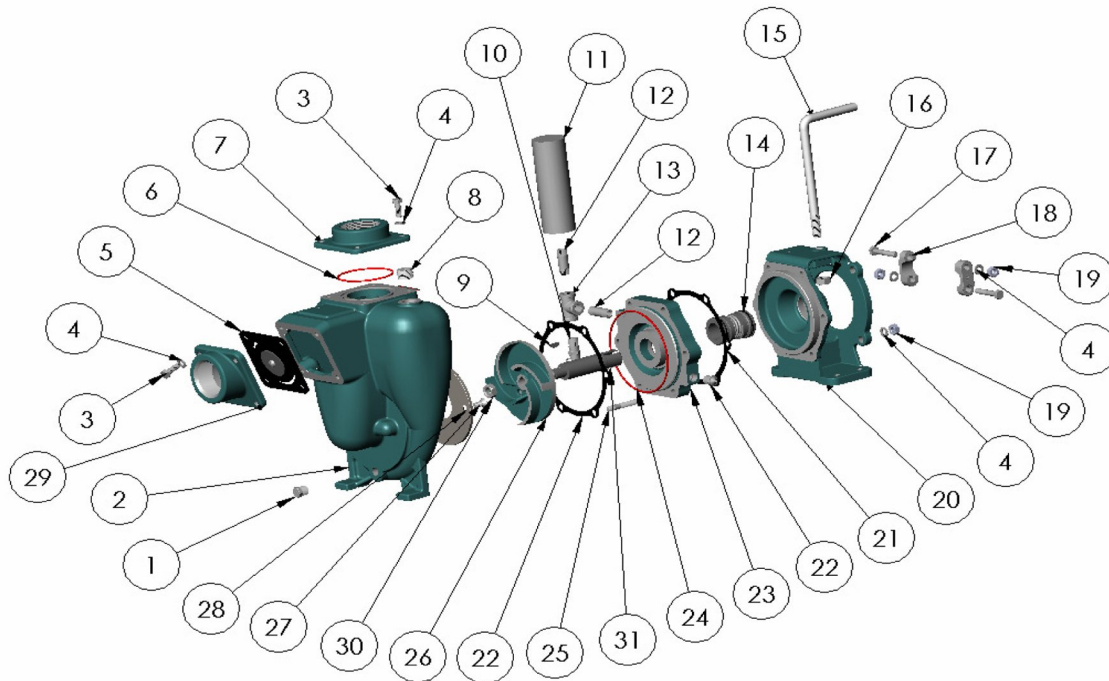
FORM 7052-F
 PRINTED IN U.S.A. (8-97)





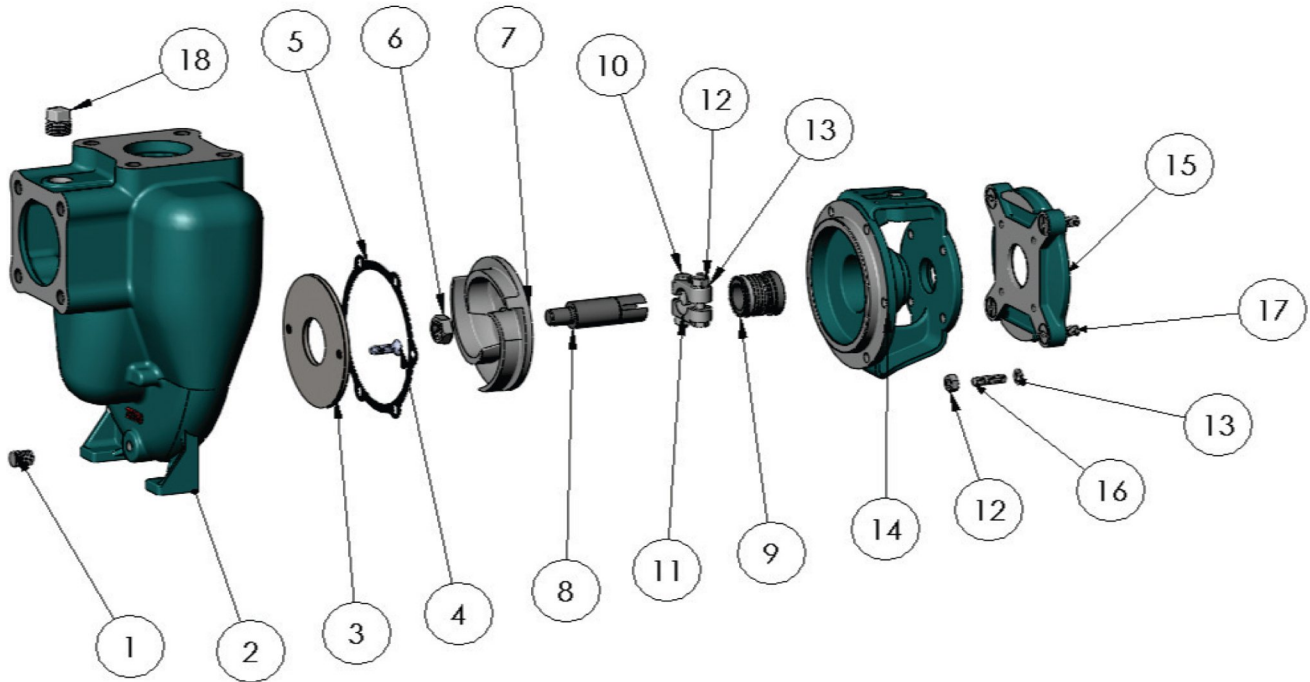
| PART NO. | ITEM NO. | DESCRIPTION | QTY. | PART NO. | ITEM NO. | DESCRIPTION | QTY. |
|----------|----------|-------------------------------|------|----------|----------|-------------------------------|------|
| 41475 | 1 | PIPE PLUG - 1/4" NPT | 1 | 22293 | 12 | IMPELLER C.I. - Ø5.00 | 1 |
| 22251 | 2 | HOUSING C.I. | 1 | * 22255 | 13 | GASKET - NI-2085 | 2 |
| 21242 | 3 | CAPSCREW S.S.- 5/16"-18 X 7/8 | 8 | 22286 | 14 | DRIVE SLEEVE S.S. - 3/4 | 1 |
| 21238 | 4 | LOCKWASHER S.S.- 5/16" | 10 | * 34555 | 15 | O RING - VITON | 1 |
| * 35609 | 5 | FLAPPER ASSY. - BUNA | 1 | * 22273 | 16 | SEAL ASSY T-21 00- VITON | 1 |
| * 37141 | 6 | O RING - VITON | 1 | 21946 | 17 | CLAMP | 2 |
| 22311 | 7 | DISCHARGE FLANGE - 2" NPT | 1 | 21284 | 18 | HEXNUT - 5/16"-18 | 2 |
| 22387 | 8 | SUCTION FLANGE - C.I. | 1 | 22247 | 19 | ADAPTOR C.I. | 1 |
| 37140 | 9 | FILL PLUG - 1/2" NPT | 1 | 24965 | 20 | HEX HEAD SCREW S.S. - 5/16-11 | 6 |
| * 22260 | 10 | WEAR PLATE STL. | 1 | 22637 | 21 | HEX JAM NUT STL. - 1/2-13 | 1 |
| 37137 | 11 | SCREW S.S.- 5/16"-18 X .63 | 2 | 21938 | 22 | HANDLE STL. - 10.25 LONG | 1 |

* SUGGESTED REPLACEMENT PARTS



| PART NO. | ITEM NO. | DESCRIPTION | QTY. | PART NO. | ITEM NO. | DESCRIPTION | QTY. |
|----------|----------|--------------------------------|------|----------|----------|-----------------------------|------|
| 41475 | 1 | PIPE PLUG - 1/4" NPT | 1 | 22637 | 16 | JAM NUT - 1/2"-13 | 1 |
| 22251 | 2 | HOUSING | 1 | 21264 | 17 | CAPSCREW - 5/16"-18 X 1 3/4 | 2 |
| 21242 | 3 | CAPSCREW - 5/16"-18 X 7/8 | 8 | 21954 | 18 | CLAMP | 2 |
| 21238 | 4 | LOCKWASHER - 5/16" | 16 | 21284 | 19 | HEXNUT - 5/16"-18 | 8 |
| * 23022 | 5 | FLAPPER ASSY. | 1 | 25904 | 20 | ADAPTOR | 1 |
| * 37141 | 6 | O RING - VITON | 1 | * 22255 | 21 | GASKET - NI-2085 | 2 |
| 22311 | 7 | DISCHARGE FLANGE - 2" NPT | 1 | 31735 | 22 | GREASE FITTING | 1 |
| 37140 | 8 | FILL PLUG - 1/2" NPT | 1 | 33152 | 23 | ADAPTOR | 1 |
| 21163 | 9 | WOODRUFF KEY - 5/8" X 5/32" | 1 | * 34555 | 24 | O RING - VITON | 1 |
| 31733 | 10 | RELIEF VALVE | 1 | 21238 | 25 | STUD - 5/16"-18 X 2 1/4" | 6 |
| * 31732 | 11 | OIL RESERVOIR | 1 | 28512 | 26 | IMPELLER C.I. - Ø4.84 | 1 |
| 28635 | 12 | PIPE NIPPLE - 1/4 NPT X 1 1/2" | 2 | 37137 | 27 | SCREW - 5/16"-18 X .63 | 2 |
| 31734 | 13 | TEE - 1/4" NPT | 1 | * 22260 | 28 | WEAR PLATE STL. | 1 |
| * 33176 | 14 | DOUBLE SEAL - T31 | 1 | 22387 | 29 | SUCTION FLANGE C.I. | 1 |
| 21938 | 15 | HANDLE - 1/2"-13 | 1 | 22621 | 30 | JAM NUT S.S. - 1/2"-20 | 1 |
| | | | | 33204 | 31 | DRIVE SLEEVE | 1 |

* SUGGESTED REPLACEMENT PARTS

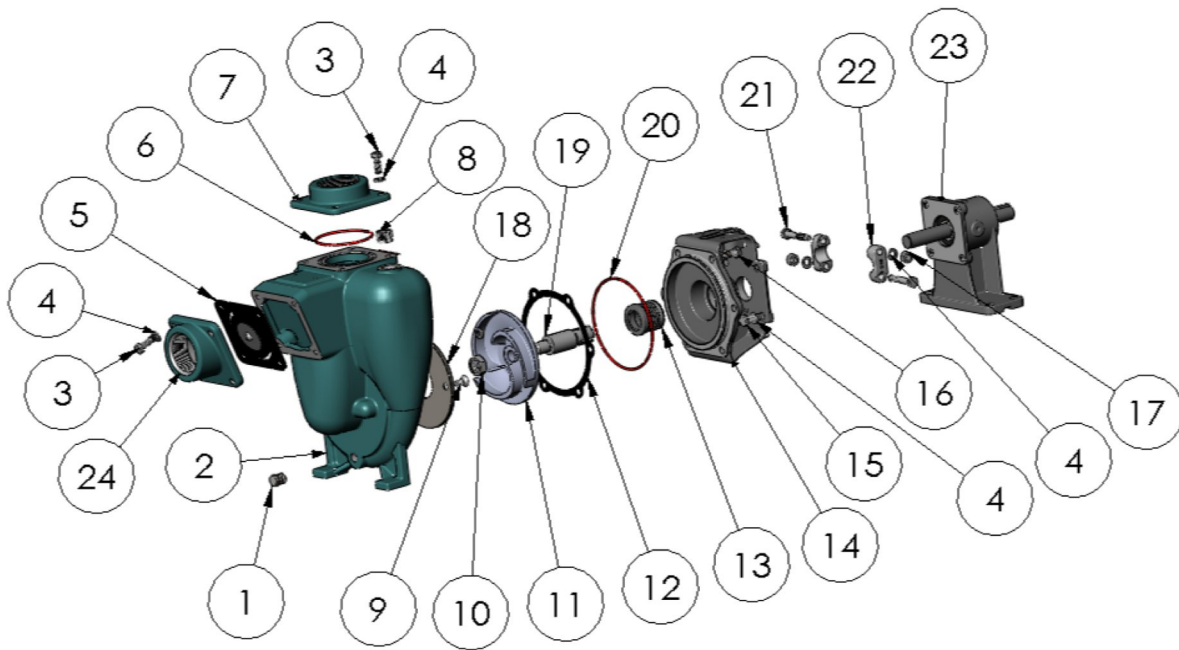


| PART NO. | ITEM NO. | DESCRIPTION | QTY. | PART NO. | ITEM NO. | DESCRIPTION | QTY. |
|----------|----------|-------------------------------------|------|----------|----------|------------------------------------|------|
| 21267 | 1 | PIPE PLUG - 1/4" N.P.T. - S.S. | 1 | 21264 | 10 | CAPSCREW - 5/16-18 X 1 3/4" - S.S. | 2 |
| 28276 | 2 | HOUSING - S.S. | 1 | 21954 | 11 | CLAMP - S.S. - 7/8" SL. | 2 |
| * 27978 | 3 | WEAR PLATE - S.S. | 1 | 21284 | 12 | HEXNUT - 5/16-18 - S.S. | 4 |
| 28742 | 4 | F.H. CAPSCREW 5/16-18 X 5/8" - S.S. | 2 | 21238 | 13 | LOCKWASHER - 5/16 - S.S. | 4 |
| * 28704 | 5 | GASKET - HOUSING | 1 | 28277 | 14 | ADAPTER - S.S. | 1 |
| 29194 | 6 | JAM NUT - 5/8-18" - S.S. | 1 | 23030 | 15 | ADAPTER PLATE - C.I. | 1 |
| 22294 | 7 | IMPELLER - S.S. | 1 | 28059 | 16 | STUD - 5/16-18 x 1.19" - S.S. | 4 |
| 28933 | 8 | DRIVE SLEEVE - 7/8" - S.S. | 1 | 21262 | 17 | FLAT HD. SCREW 3/8-16 - S.S. | 4 |
| * 22273 | 9 | SEAL ASSEMBLY - 1.00" Ø T-2100 | 1 | 22656 | 18 | 1/2" NPT PIPE PLUG | 1 |

*- RECOMMENDED REPLACEMENT PARTS



34800 BENNETT • FRASER, MI 48026-1686
 (586) 293-8240 • FAX (586) 293-8469
 (800) 563-8006 • www.mppumps.com



| PART NO. | ITEM NO. | DESCRIPTION | QTY. | PART NO. | ITEM NO. | DESCRIPTION | QTY. |
|----------|----------|---------------------------------|------|----------|----------|-------------------------------------|------|
| 41475 | 1 | PIPE PLUG - 1/4" NPT | 2 | * 22273 | 13 | SEAL ASSY - T-2100 VITON | 1 |
| 22251 | 2 | HOUSING | 1 | 22247 | 14 | ADAPTER C.I. | 1 |
| 21242 | 3 | CAPSCREW - 5/16"-18 X 7/8 | 8 | 21278 | 15 | CAPSCREW S.S. - 5/16-18 X .88 | 4 |
| 21238 | 4 | LOCKWASHER - 5/16" | 14 | 24965 | 16 | CAPSCREW S.S. - 5/16-18 X .75 PATCH | 6 |
| * 23022 | 5 | FLAPPER ASSY. | 1 | 21284 | 17 | HEXNUT S.S. - 5/16"-18 | 2 |
| * 37141 | 6 | O RING - VITON | 1 | * 22260 | 18 | WEAR PLATE STL. | 1 |
| 22311 | 7 | DISCHARGE FLANGE - 2" NPT | 1 | 22286 | 19 | DRIVE SLEEVE S.S. - 3/4" | 1 |
| 37140 | 8 | FILL PLUG ZPS - 1/2" NPT | 1 | * 34555 | 20 | O RING - VITON | 1 |
| 37137 | 9 | SCREW S.S. FHS - 5/16"-18 X .63 | 2 | 21264 | 21 | CAPSCREW - 5/16"-18 X 1 3/4 | 2 |
| 22655 | 10 | JAM NUT -S.S. - 5/8-18 | 1 | 21946 | 22 | CLAMP S.S. | 2 |
| 22293 | 11 | IMPELLER C.I. - Ø5.00 | 1 | 26141 | 23 | PEDESTAL ASSY. C.I. - H.D. | 1 |
| * 22255 | 12 | GASKET - NI-2085 | 1 | 22387 | 24 | SUCTION FLANGE C.I. | 1 |

* SUGGESTED REPLACEMENT PARTS