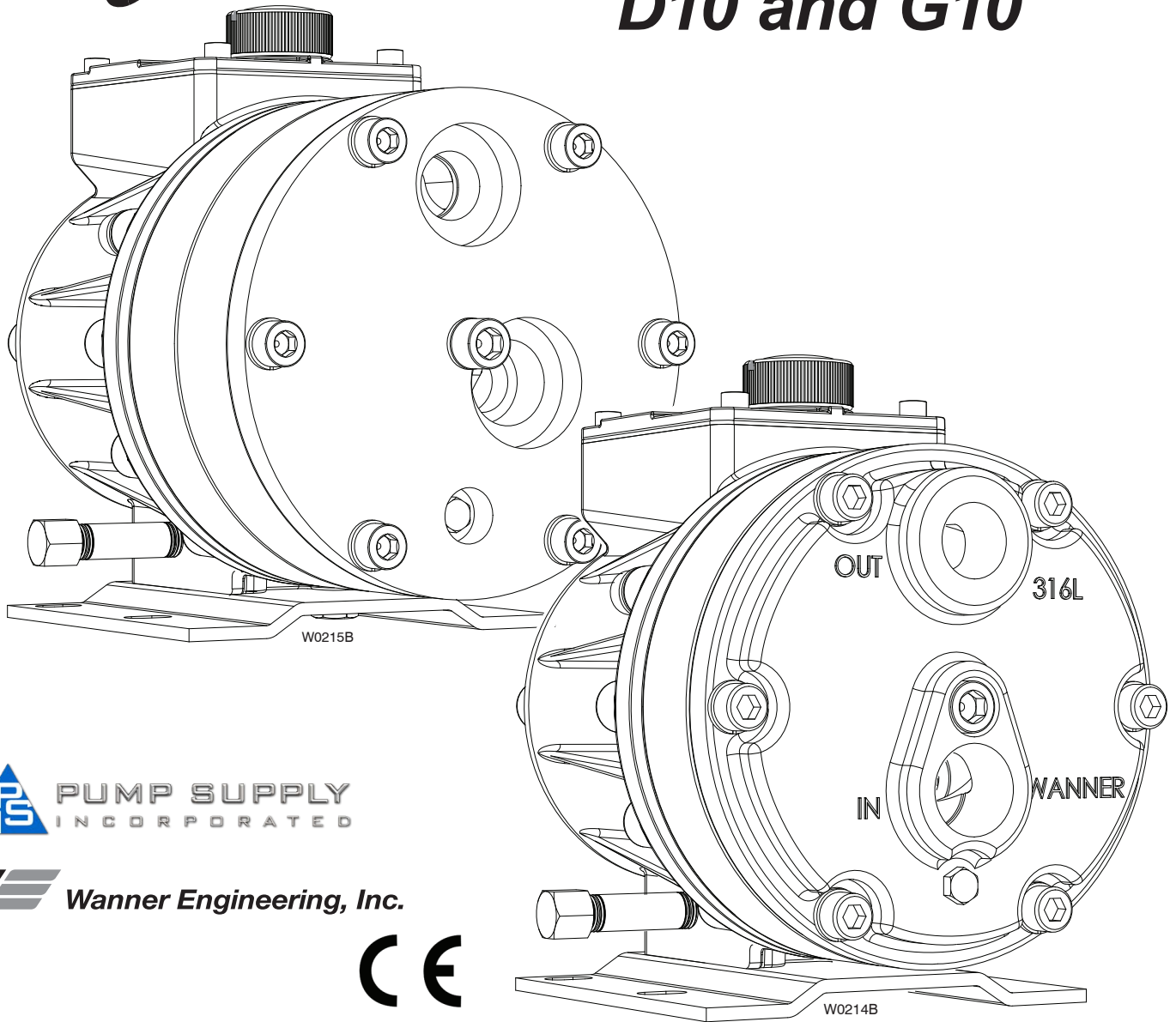


Installation, Operation & Maintenance
D10-991-2400C

Hydra-Cell®

INDUSTRIAL PUMPS

Models:
D10 and G10



D/G10 Contents



	Page
Specifications.....	2
Dimensions	4
Installation	5
Maintenance.....	11
Service (Fluid End).....	12
Service (Hydraulic End)	16
Troubleshooting.....	20
Parts.....	21
Kits	26
Warranty.....	28



Illinois Location:

(847) 841-7867

860 Church Rd Elgin, IL 60123

Minnesota Location:

(651) 758-7867

330 Mill Bay South Suite 1511 Afton, MN 55001

PumpSupplyInc.com

D/G10 Specifications

Maximum Flow Rate	8.8 gpm (33.4 l/min)
Maximum Pressure	Metallic: 1500 psi (103 bar) Non-Metallic: 350 psi (24 bar)

Flow Capacities @ 1000 psi (69 bar)			
Model	rpm	gpm	l/min
D/G10-X	1450	8.1	30.6
D/G10-E	1750	8.8	33.4
D/G10-S	1750	6.0	22.7
D/G10-I	1750	4.0	15.0

Flow Capacities @ 1500 psi (103 bar)			
Model	rpm	gpm	l/min
D/G10-X	790	4.26	15.1
D/G10-E	790	3.87	14.7

Delivery @ 1500 psi (103 bar)		
Model	gal/rev	liters/rev
D/G10-X	0.0054	0.0205
D/G10-E	0.0049	0.0186

Delivery @ 1000 psi (69 bar)		
Model	gal/rev	liters/rev
D/G10-X	0.0056	0.0211
D/G10-E	0.0051	0.0191
D/G10-S	0.0034	0.0130
D/G10-I	0.0023	0.0086

Maximum Discharge Pressure	
Metallic Heads:	1000 psi (69 bar) @ 1450 rpm (D/G10-X) 1000 psi (69 bar) @ 1750 rpm (D/G10-E, S,I) 1500 psi (103 bar) @ 790 rpm (D/G10-X)
Non-Metallic Heads:	250 psi (17 bar) Polypropylene 350 psi (24 bar) PVDF

Max Inlet Pressure	
Metallic:	250 psi (17 bar)
Non-Metallic:	50 psi (3.5 bar)

Fluid Temperature

Metallic Heads: 250°F (121°C) – consult factory for temperatures above 160°F (71°C)
Non-Metallic Heads: Polypropylene: 120°F (49°C); PVDF and Celcon: 140°F (60°C) – consult factory for temperatures above 120°F (49°C)

Maximum Solids Size	500 microns
Inlet Port	D-10: 1 inch NPT G-10: 1 inch BSPT
Discharge Port	D-10: 3/4 inch NPT G-10: 3/4 inch BSPT
Shaft Diameter	7/8 inch (22.2 mm)
Shaft Rotation	Reverse (bi-directional)
Bearings	Tapered roller bearings
Oil Capacity	1.1 US quarts (1.04 liters)
Weight	Metallic Heads: 48 lbs (21.8 kg) Non-metallic Heads: 35 lbs (15.9 kg)

Calculating Required Horsepower (kW)*

$$\frac{15 \times \text{rpm}}{63,000} + \frac{\text{gpm} \times \text{psi}}{1,460} = \text{electric motor HP}^*$$

$$\frac{15 \times \text{rpm}}{84,428} + \frac{\text{l/min} \times \text{bar}}{511} = \text{electric motor kW}^*$$

* rpm equals pump shaft rpm. HP/kW is required application power.

When using a variable frequency drive (VFD) calculate the hp or kW at minimum and maximum pump speed to ensure the correct hp or kW motor is selected. Note that motor manufacturers typically de-rate the service factor to 1.0 when operating with a VFD.

D/G10 Specifications



Illinois Location:

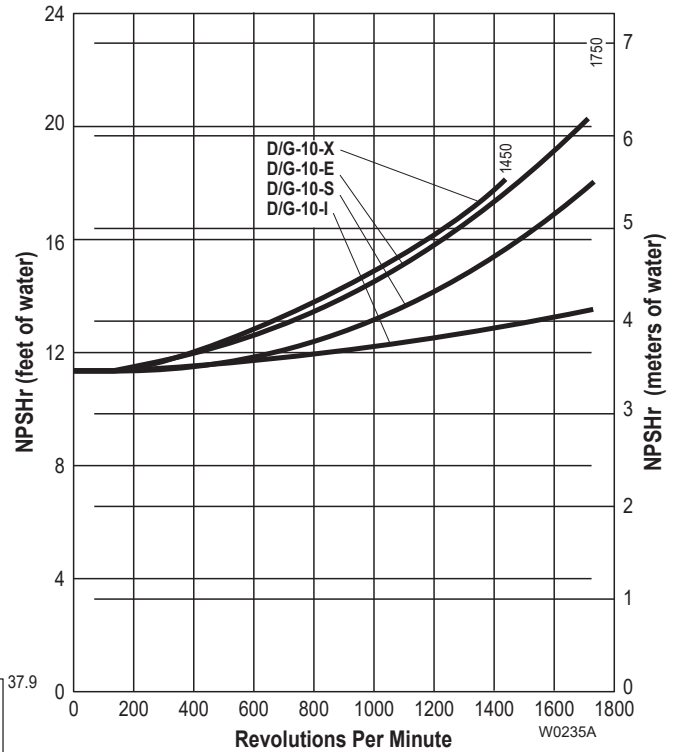
(847) 841-7867
860 Church Rd Elgin, IL 60123

Minnesota Location:

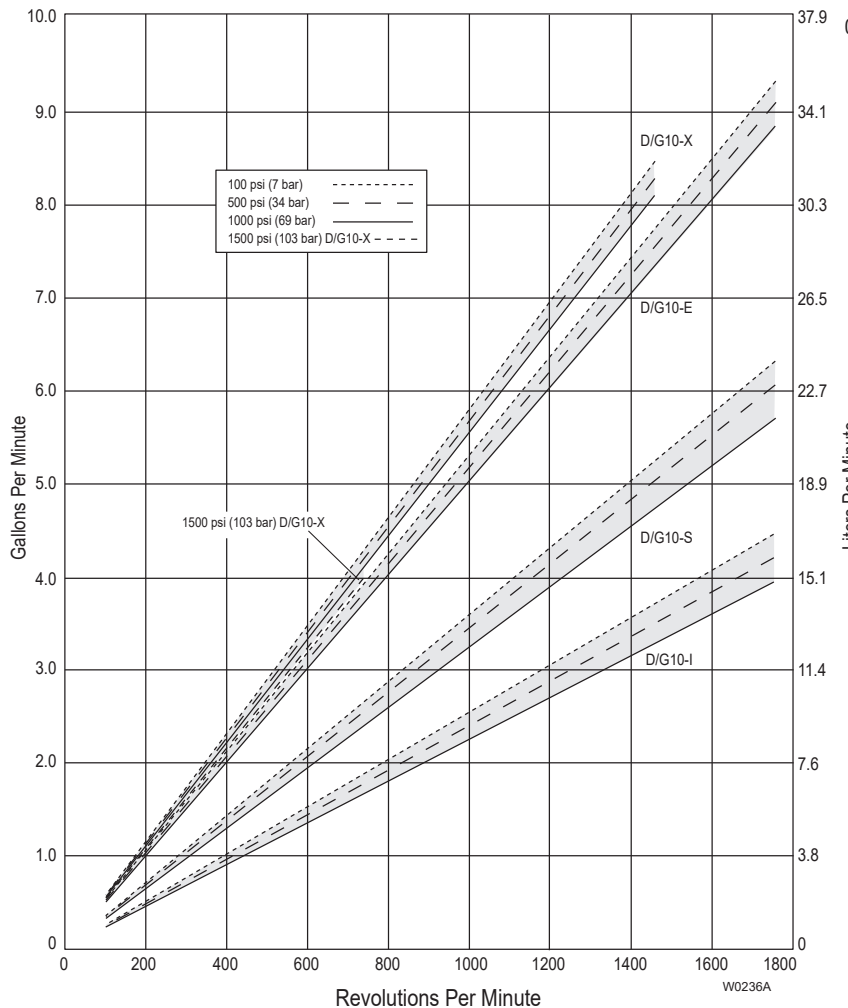
(651) 758-7867
330 Mill Bay South Suite 1511 Afton, MN 55001

PumpSupplyInc.com

Net Positive Suction Head – NPSHr



Performance



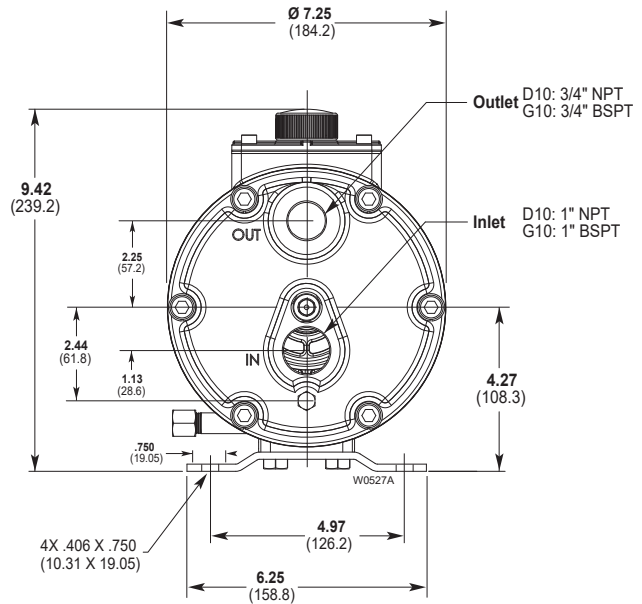
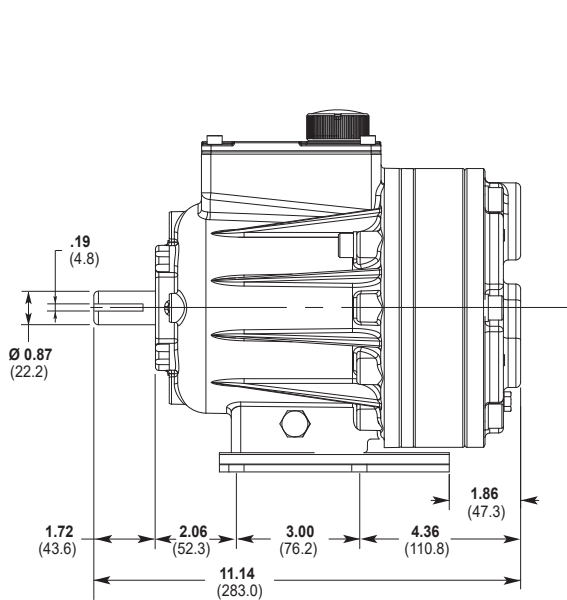
Note: Positive inlet pressure required with PTFE diaphragms.

D/G10 Dimensions



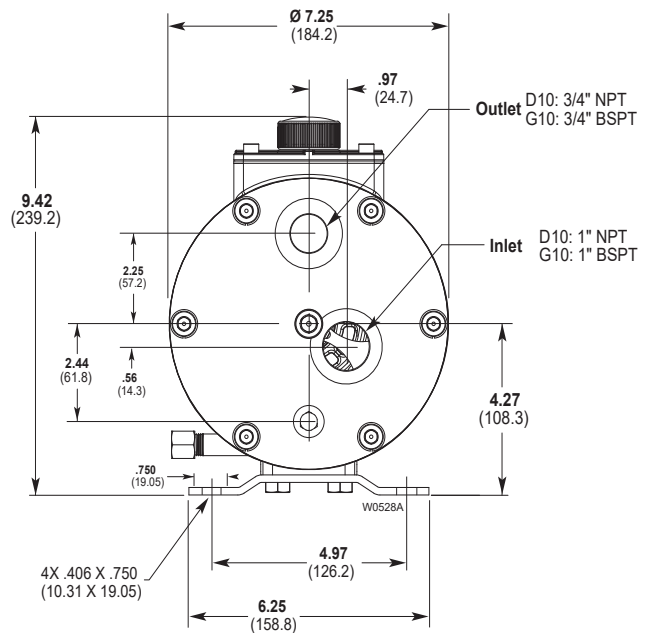
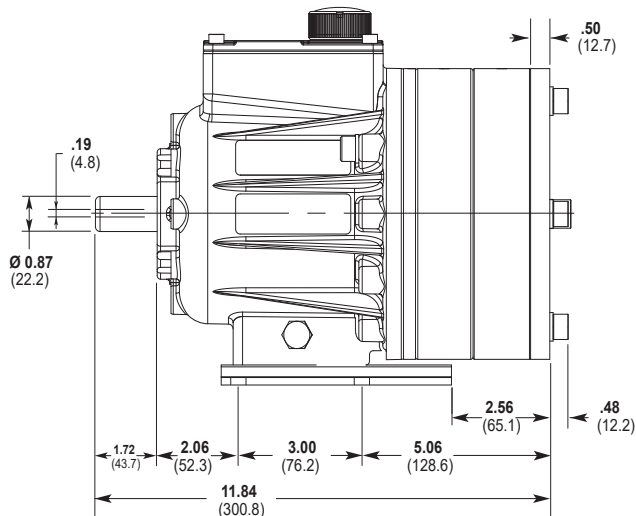
Models with Metallic Pump Head Inches (mm)

- Brass
- Cast Iron
- 316 Stainless Steel
- Nickel Alloy (C Series)



Models with Non-Metallic Pump Head Inches (mm)

- PVDF
- Polypropylene
- Celcon



D/G10 Installation



Safety Precautions

General remarks

These safety / installation instructions contain fundamental information and precautionary notes and must be kept available to all associated with the operation of the pump. Please read them thoroughly prior to installation, electrical connection and commissioning of the unit. It is imperative that all other operating instructions relating to the components of individual units are followed.

These safety / installation instructions do not take local regulations into account. The operator must ensure that such regulations are observed by all, including the personnel carrying out the installation.

Each pump must be labeled by the end user to warn of any hazards that the system process may produce; e.g. corrosive chemicals or hot process etc.

All personnel involved in the operation, maintenance, inspection and installation of the pump must be fully qualified to carry out the work. The personnel's responsibilities, competence and supervision must be clearly defined by the operator. To the extent that if the personnel in question is not already in possession of the requisite know how, appropriate training and instruction must be provided. In addition, the operator is responsible for ensuring that the contents of the operating instructions are fully understood by all the responsible personnel.

When installing a Hydra-Cell pump in conjunction with a motor or motor and frequency controller the relevant manuals must be referred to for electromagnetic compatibility. The installation should conform to EN 61800 and EN 60204 as applicable.

All safety instructions in this manual and all relevant local health and safety regulations must be followed.

Attention must be paid to the weight of the pump before attempting to lift either manually or selecting appropriate lifting equipment.



Illinois Location:

(847) 841-7867

860 Church Rd Elgin, IL 60123

Minnesota Location:

(651) 758-7867

330 Mill Bay South Suite 1511 Afton, MN 55001

PumpSupplyInc.com

D/G10 Installation



Equipment Precautions

Adequate Fluid Supply. To avoid cavitation and premature pump failure, be sure that the pump will have an adequate fluid supply and that the inlet line will not be obstructed. See "Inlet Piping".

Positive Displacement. This is a positive-displacement pump. To avoid severe system damage if the discharge line ever becomes blocked, install a relief valve downstream from the pump. See "Discharge Piping". A suitable and calibrated pressure gauge should be installed in the discharge line close to the pump head.

Safety Guards. Install adequate safety guards over all pulleys, belts, and couplings. Follow all codes and regulations regarding installation and operation of the pumping system.

Shut-Off Valves. Never install shut-off valves between the pump and discharge pressure regulator, or in the regulator bypass line.

Freezing Conditions. Protect the pump from freezing. See also the Maintenance Section.

Working Pump. The pump body will become hot during operation even if the liquid being pumped is cold.

Consult the Factory for the following situations:

- Extreme temperature applications – above 160° F (71°C) or below 40° F (4.4°C)
- Pressure feeding of pumps
- Viscous or abrasive fluid applications
- Chemical compatibility problems
- Hot ambient temperatures – above 110° F (43°C)
- Conditions where pump oil may exceed 200° F (93°C) because of a combination of hot ambient temperatures, hot fluid temperature, and full horsepower load — an oil cooler may be required

Location

Locate the pump as close to the supply source as possible. Install it in a lighted clean space where it will be easy to inspect and maintain. Allow room for checking the oil level, changing the oil, and removing the pump head (manifold, valve plate and related items).

Mounting

The pump shaft can rotate in either direction. To prevent vibration, mount the pump and motor securely on a level rigid base.

On a belt-drive system, align the sheaves accurately; poor alignment wastes horsepower and shortens the belt and bearing life. Make sure the belts are properly tightened, as specified by the belt manufacturer.

On a direct-drive system, align the shafts accurately. Unless otherwise specified by the coupling manufacturer, maximum parallel misalignment should not exceed 0.015 in. (0.4 mm) and angular misalignment should be held to 1° maximum. Careful alignment extends life of the coupling, pump, shafts, and support bearings. Consult coupling manufacturer for exact alignment tolerances.

Drive couplings, belts and pulleys must be of suitable design, correctly sized, fitted, and rated for the maximum load required.

On a close-coupled system, coat the motor shaft liberally with anti-seize.

The pump, motor and related components must be adequately grounded.

Illinois Location:

(847) 841-7867

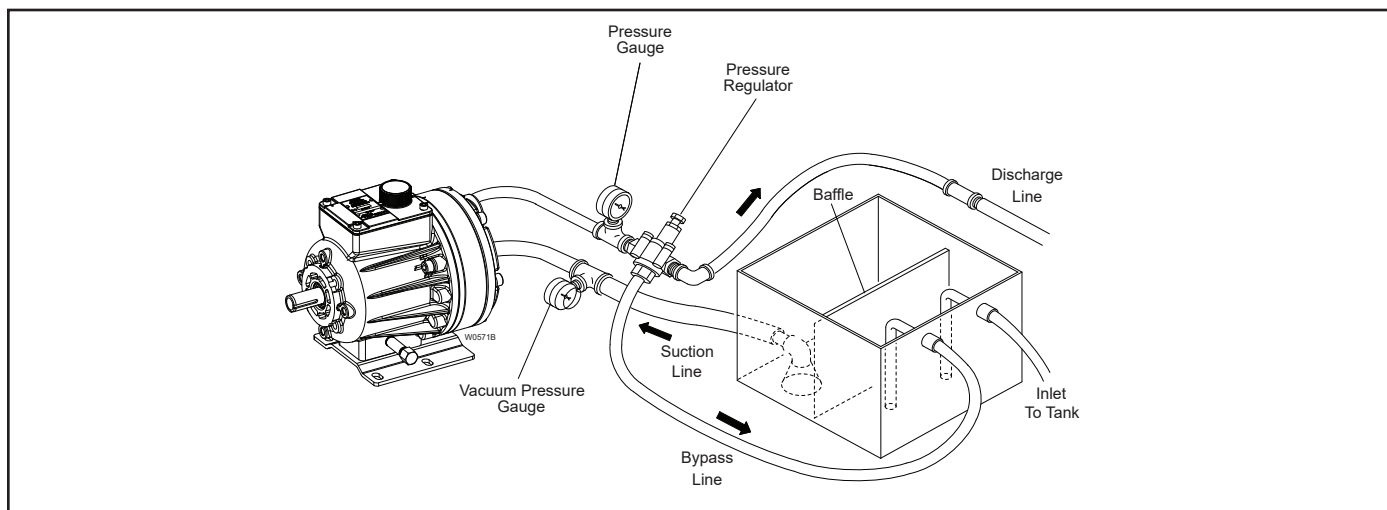
860 Church Rd Elgin, IL 60123

Minnesota Location:

(651) 758-7867

330 Mill Bay South Suite 1511 Afton, MN 55001

PumpSupplyInc.com



D/G10 Installation



Inlet Piping (Suction Feed)

CAUTION: When pumping at temperatures above 160° F (71°C), attention must be paid to the vapor pressure curve of the liquid. A pressure-feed system may be required.

Do not supply more than one pump from the same inlet line.

With PTFE diaphragms, the inlet must be flooded.

Install drain cocks at any low points of the suction line, to permit draining in freezing conditions.

Provide for permanent or temporary installation of a vacuum gauge to monitor the inlet suction. To maintain maximum flow, insure the system NPSHa exceeds the NPSHr of the pump.

Supply Tank

Use a supply tank that is large enough to provide time for any trapped air in the fluid to escape. The tank size should be at least twice the maximum pump flow rate.

Isolate the pump and motor stand from the supply tank, and support them separately.

Install a separate inlet line from the supply tank to each pump.

Install the inlet and bypass lines so they empty into the supply tank below the lowest water level, on the opposite side of the baffle from the pump suction line.

Do not use a line strainer or filter in the suction line unless regular maintenance is assured. If a line strainer is used in the system, install it in the inlet line to the supply tank. It should have a free-flow area of at least three times the free-flow area of the inlet.

To reduce aeration and turbulence, install a completely submerged baffle plate to separate the incoming and outgoing liquids.

Install a vortex breaker in the supply tank, over the outlet port to the pump.

Place a cover over the supply tank, to prevent foreign objects from falling into it.

Hose and Routing

Size the suction line at least one size larger than the pump inlet, and so that the velocity will not exceed 1-3 ft/sec (0.3 to 0.9 m/s):

For pipe in mm: Velocity (m/sec) = 21.2 x LPM/Pipe ID²

For pipe in inches: Velocity (ft/sec) = 0.408 x GPM/Pipe ID²

Keep the suction line as short and direct as possible. A maximum of 1m (3 feet) is recommended.

Use flexible hose and/or expansion joints to absorb vibration, expansion, or contraction.

If possible, keep the suction line level. Do not have any high points to collect vapor unless these high points are vented.

To reduce turbulence and resistance, do not use 90° elbows. If turns are necessary in the suction line, use 45° elbows or arrange sweeping curves in the flexible inlet hose.

If a block valve is used, be sure it is fully opened so that the flow to the pump is not restricted. The opening should be at least the same diameter as the inlet plumbing ID.

Install piping supports where necessary to relieve strain on the inlet line and to minimize vibration.



Illinois Location:

(847) 841-7867

860 Church Rd Elgin, IL 60123

Minnesota Location:

(651) 758-7867

330 Mill Bay South Suite 1511 Afton, MN 55001

PumpSupplyInc.com

D/G10 Installation



Inlet Piping (Pressure Feed)

Provide for permanent or temporary installation of a vacuum/pressure gauge to monitor the inlet vacuum or pressure. Pressure at the pump inlet should not exceed 17 bar (250 psi); if it could get higher, install an inlet pressure reducing regulator. Do not supply more than one pump from the same inlet line.

Inlet Calculations

Acceleration Head

Calculating the Acceleration Head

Use the following formula to calculate acceleration head losses. Subtract this figure from the NPSHa, and compare the result to the NPSHr of the Hydra-Cell pump.

$$H_a = (L \times V \times N \times C) \div (K \times G)$$

where:

H_a = Acceleration head (ft of liquid)

L = Actual length of suction line (ft) — not equivalent length

V = Velocity of liquid in suction line (ft/sec)

$$\text{or } V = \text{GPM} \left(\frac{0.408}{\text{Pipe ID}^2} \right)$$

N = RPM of crank shaft

C = Constant determined by type of pump — Use 0.066 for D/G03, M03, M23, G13, D/G10, D/G04 and H/G25 pumps. Use 0.04 for D/G35 and D/G15 pumps. Use 0.628 for F/G20/21/22 pumps.

K = Constant to compensate for compressibility of the fluid — use: 1.4 for de-aerated or hot water; 1.5 for most liquids; 2.5 for hydrocarbons with high compressibility

G = Gravitational constant (32.2 ft/sec²)

Friction Losses

Calculating Friction Losses in Suction Piping

When following the above recommendations (under “inlet Piping”) for minimum hose/pipe I.D. and maximum length, frictional losses in the suction piping are negligible (i.e., $H_f = 0$) if you are pumping a water-like fluid.

When pumping more-viscous fluids such as lubricating oils, sealants, adhesives, syrups, varnishes, etc., frictional losses in the suction piping may become significant. As H_f increases, the available NPSH (NPSHa) will decrease, and cavitation will occur.

In general, frictional losses increase with increasing viscosity, increasing suction-line length, increasing pump flow rate, and decreasing suction-line diameter. Changes in suction-line diameter have the greatest impact on frictional losses: a 25% increase in suction-line diameter cuts losses by more than two times, and a 50% increase cuts losses by a factor of five times.

Consult the factory before pumping viscous fluids.

Minimizing Acceleration Head and Frictional Losses

To minimize the acceleration head and frictional losses:

- Keep inlet lines less than 1 m (3 ft) long.
- Use inlet hose at least one size larger than the size of the inlet port of the pump.
- Use flexible, non-collapsible suction hose and/or expansion joints to absorb vibrations, expansions and contractions.
- Minimize fittings (elbows, valves, tees, etc.)
- **Use a suction stabilizer on the inlet.**



Illinois Location:

(847) 841-7867

860 Church Rd Elgin, IL 60123

Minnesota Location:

(651) 758-7867

330 Mill Bay South Suite 1511 Afton, MN 55001

PumpSupplyInc.com

D/G10 Installation



Net Positive Suction Head

NPSHa must be equal to or greater than NPSHr. If not, the pressure in the pump inlet will be lower than the vapor pressure of the fluid— and cavitation will occur.

Calculating the NPSHa

Use the following formula to calculate the NPSHa:

$$\text{NPSHa} = P_t + H_z - H_f - H_a - P_{vp}$$

where:

P_t = Atmospheric pressure

H_z = Vertical distance from surface liquid to pump center line (if liquid is below pump center line, the H_z is negative)

H_f = Friction losses in suction piping

H_a = Acceleration head at pump suction

P_{vp} = Absolute vapor pressure of liquid at pumping temperature

Notes:

- In good practice, NPSHa should be 2 ft (0.6 m) greater than NPSHr.
- All values must be expressed in feet of liquid.

Atmospheric Pressure at Various Altitudes

Altitude (ft)	Pressure (ft of H ₂ O)	Altitude (ft)	Pressure (ft of H ₂ O)
0	33.9	1500	32.1
500	33.3	2000	31.5
1000	32.8	5000	28.2



Illinois Location:

(847) 841-7867

860 Church Rd Elgin, IL 60123

Minnesota Location:

(651) 758-7867

330 Mill Bay South Suite 1511 Afton, MN 55001

PumpSupplyInc.com

Discharge Piping

Note: Consult the Factory before manifolding two or more pumps together.

Hose and Routing

Use shortest, most-direct route for discharge line.

Select pipe or hose with **working pressure** rating of at least 1.5 times maximum system pressure. **EXAMPLE:** Select a 1500-psi W. P.-rated hose for systems to be operated at 1000-psi-gauge pressure.

Use about 6 ft (1.8 m) of flexible hose between pump and rigid piping to absorb vibration, expansion or contraction.

Support pump and piping independently. Size discharge line so that velocity of fluid will not exceed 2-3 m/sec (8-10 ft/sec):

For pipe in mm: Velocity (m/sec) = 21.2 x LPM/Pipe ID²

For pipe in inches: Velocity (ft/sec)

$$\text{or } V = 0.408 \left(\frac{\text{GPM}}{\text{Pipe ID}^2} \right)$$

Note: Pumps with non-metallic pumping head are limited to 17 bar (250 psi) maximum working pressure rating.

Pressure Regulation

Install pressure regulator or unloader in discharge line. Bypass pressure must not exceed pressure limit of pump.

Size regulator so that, when fully open, it will be large enough to relieve full capacity of pump without over pressurizing the system.

Locate regulator as close to pump as possible and ahead of any other valves.

Adjust pressure regulator valve to no more than 10% over maximum working pressure of system. Do not exceed manufacturer's pressure rating for pump or regulator.

Route the bypass line to the supply tank, not to the suction line (to reduce the chance of turbulence and cavitation within the pump).

If the pump may be run for a long time with the discharge closed and fluid bypassing, install a thermal protector in the bypass line (to prevent severe temperature buildup in the bypassed fluid).

The safety, pressure regulating valve must be checked for correct operation on a regular basis.

CAUTION: Never install shutoff valves in the bypass line or between the pump and pressure regulator or relief valve.

Provide for permanent or temporary installation of pressure gauge to monitor discharge pressure at pump.

For additional system protection install safety relief valve in discharge line downstream from pressure regulator.

D/G10 Installation



Before Initial Start-Up

Before you start the pump, be sure that:

- All shut-off valves are open, and pump has adequate supply of fluid.
- All connections are tight.
- The oil is at the correct level for the model of pump;
 - D/G10 - ¼ in. (6 mm) from the bottom of the fill port.
 - D/G04, G/H25, D/G15, D/G35 - ¼ in. (6mm) above the cast surface in the upper oil reservoir.
 - F/G20/21/22 - The oil reservoir beneath the reservoir diaphragm is completely full. Note: The reservoir is filled and sealed at the factory. If you are unsure about the oil level, remove the cover and slowly lift the diaphragm. Refer to Service Procedure #6, "Fill and Seal the Oil Reservoir", in the Fluid-End Service Section.
 - D/G03 - The oil level should be ¾ in. (20 mm) from the top of the fill port.
- The relief valve on the pump outlet is adjusted so the pump starts under minimum pressure.
- All pulleys and belts are properly aligned, and belts are tensioned according to specification.
- All pulleys and belts have adequate safety guards.
- Ensure that the materials of construction of the pump are compatible with the liquid being pumped.

Initial Start-Up Procedure

1. Turn on power to pump motor.
2. Check inlet pressure or vacuum. To maintain maximum flow, inlet vacuum must not exceed 180 mm Hg at 21°C (7 in. Hg at 70° F). Inlet pressure must not exceed 17 bar (250 psi).
3. Listen for any erratic noise and look for unsteady flow.
4. If system has airlock and pump fails to prime:
 - a. Turn off power.
 - b. Remove pressure gauge or plug from tee fitting at pump outlet (refer to illustration drawing at the front of this section).

Note: Fluid may come out of this port when the plug is removed. Provide an adequate catch basin for fluid spillage, if required. Fluid will come out of this port when the pump is started, so we recommend that you attach adequate plumbing from this port so fluid will not be sprayed or lost. Use high-pressure-rated hose and fittings from this port. Take all safety precautions to assure safe handling of the fluid being pumped.
 - c. Jog system on and off until fluid coming from this port is air-free.
 - d. Turn off power.
 - e. Remove plumbing that was temporarily installed, and reinstall pressure gauge or plug.
5. Adjust discharge pressure regulator to desired operating and bypass pressures. Do not exceed maximum pressure rating of pump.
6. After pressure regulator is adjusted, set safety relief valve at 7 bar (100 psi) higher than desired operating pressure. To verify this setting, adjust discharge pressure regulator upward until relief valve opens. Follow recommendations in **Step 4b Note** for handling fluid that will come from relief valve.
7. Reset discharge pressure regulator to desired system pressure.
8. Provide return line from relief valve to supply tank, similar to bypass line from pressure regulator.



Illinois Location:

(847) 841-7867

860 Church Rd Elgin, IL 60123

Minnesota Location:

(651) 758-7867

330 Mill Bay South Suite 1511 Afton, MN 55001

PumpSupplyInc.com

D/G10 Maintenance



Note: The numbers in parentheses are the Reference Numbers on the exploded view illustrations found in this manual and in the Parts Section.

Daily

Check oil level and condition of oil. The oil is at the correct level for the model of pump;

D/G10 - ¼ in. (6 mm) from the bottom of the fill port.

D/G04, G/H25, D/G15, D/G35 - ¼ in. (6mm) above the cast surface in the upper oil reservoir.

F/G20/21/22 - The oil reservoir beneath the reservoir diaphragm is completely full. Note: The reservoir is filled and sealed at the factory. If you are unsure about the oil level, remove the cover and slowly lift the diaphragm. Refer to Service Procedure #6, "Fill and Seal the Oil Reservoir", in the Fluid-End Service Section.

D/G03 - The oil level should be 3/4 in. (20 mm) from the top of the fill port.

Use the appropriate Hydra-Oil for the application (contact Wanner Engineering if in doubt).

CAUTION: If you are losing oil but don't see any external leakage, or if the oil becomes discolored and contaminated, one of the diaphragms (20) may be damaged. Refer to the Fluid-End Service Section. Do not operate the pump with a damaged diaphragm.

CAUTION: Do not leave contaminated oil in the pump housing or leave the housing empty. Remove contaminated oil as soon as discovered, and replace it with clean oil.

Periodically

Change the oil after the first 100 hours of operation, and then according to the guidelines below.

Hours Between Oil Changes @ Various Process Fluid Temperatures

Pressure	RPM	<90°F (32°C)	<139°F (60°C)	<180°F (82°C)
Metallic Pump Head				
<650 psi (45 bar)	<1200	6,000	4,500	3,000
	<1800	4,000	3,000	2,000
<1000 psi (69 bar)	<1200	4,000	3,000	2,000
	<1800	2,000	1,500	1,000
Non-Metallic Pump Head				
<250 psi (17 bar)	<1200	4,000	3,000	—
	<1800	2,000	1,500	—

Note: Minimum oil viscosity for proper hydraulic end lubrication is 16-20 cST (80-100 SSU).

Note: Use of an oil cooler is recommended when process fluid and/or hydraulic end oil exceeds 180°F (82°C) for Metallic Pump Head models or when hydraulic end oil exceeds 180°F (82°C) for Non-Metallic Pump Head models.

When changing, remove the drain plug cap (34) at the bottom of the pump so all oil and accumulated sediment will drain out.

CAUTION: Do not turn the drive shaft while the oil reservoir is empty.

Check the inlet pressure or vacuum periodically with a gauge. If vacuum at the pump inlet exceeds 7 in. Hg (180 mm Hg), check the inlet piping system for blockages. If the pump inlet is located above the supply tank, check the fluid supply level and replenish if too low.

CAUTION: Protect the pump from freezing. Refer also to the "Shutdown Procedure".

Shutdown Procedure During Freezing Temperatures

Take all safety precautions to assure safe handling of the fluid being pumped. Provide adequate catch basins for fluid drainage and use appropriate plumbing from drain ports, etc., when flushing the pump and system with a compatible antifreeze.

1. Adjust discharge pressure regulating valve so pump runs under minimum pressure. Stop pump.
2. Drain supply tank; open any draincocks in system piping and collect drainage; remove plug (3) from manifold and collect drainage.
3. Close draincocks in system piping and replace manifold plug.
4. Fill supply tank with enough antifreeze to fill system piping and pump.

Note: Disconnect the system return line from the supply tank and connect it to a separate reservoir.

5. Start pump and allow it to run until system is filled with antifreeze.

Note: If the system has an air lock and the pump fails to prime, follow step 4 of the Initial Start-up Procedure to clear the air.

6. When mostly antifreeze is flowing from system return line, stop pump. Connect system return line back to supply tank and circulate antifreeze for short period.
7. It is also good practice to change oil in hydraulic end before storage for an extended period. This will remove any accumulated condensation and sediment from oil reservoir. Drain and refill hydraulic end with appropriate Hydra-Oil and operate pump for short period to assure smooth performance.

Illinois Location:

(847) 841-7867
Illinois Location:
 860 Church Rd Elgin, IL 60123
 (847) 841-7867

860 Church Rd Elgin, IL 60123

Minnesota Location:

(651) 758-7867
Minnesota Location:
 330 Mill Bay South Suite 1511 Afton, MN 55001
 (651) 758-7867

330 Mill Bay South Suite 1511 Afton, MN 55001

PumpSupplyInc.com

D/G10 Service (Fluid End)



Note: The reference numbers in parentheses are shown in the Fluid End Parts List.

This section explains how to disassemble and inspect all easily-serviceable parts of the pump fluid end.

Caution: Disassembly of the hydraulic end of the pump should be performed only by a qualified technician. For assistance, contact Wanner Engineering (612-332-5681) or the distributor in your area.

1. Remove Manifold (6), Valve Plate (16)

a. Remove six bolts (4) and six washers (5) around manifold (6). Do not remove bolt (25) or bolt (29) installed through back of cylinder housing (24).

b. Use 3/8-in. (10-mm) hex Allen wrench to remove center bolt (1) and washer (2).

CAUTION: Do not turn the pump drive shaft while the manifold and valve plate are off the pump, except when removing diaphragms or repriming the hydraulic cells.

c. Remove manifold (6), and support plate (42) [Non-metallic pump head only.] Valve plate (16) will remain on cylinder housing (24).

d. Inspect manifold (6) for warping or wear around inlet and outlet ports. If wear is excessive, replace the manifold. To check if manifold is warped, remove O-rings (7,8,9) and place straightedge across it. If warped, replace.

2. Inspect Valves (10-15, 39)

The three inlet and three outlet valve assemblies are identical but face opposite directions. Inspect each valve as follows:

a. Check the spring retainer (15), and replace if worn.

Note: if your pump has a non-metallic pump head there will be a plastic dampening washer (39) at the bottom of each seat. Inspect each one for wear or cracks and replace if necessary.

b. Check valve spring (13). If shorter than new spring, replace (**Do not stretch old spring.**)

c. Check valve (12). If worn excessively, replace.

Note: If your pump has plastic spring retainers, there is a tetra seal (flat O-ring, 14) between retainer (15) and valve seat (11).

d. Remove valve seat (11) and O-ring (10). A seat puller is included in Wanner Tool Kit. On cast iron valve plates, be careful not to break metal ridge around O-ring groove. Inspect valve seat for wear, and replace if necessary. A new O-ring should be installed.

e. Reinstall the inlet and outlet valve assemblies:

- Clean valve ports and shoulders with emery cloth, and lubricate with lubricating gel or petroleum jelly.

- Install O-ring (10) on valve seat (11).

- **Inlet Valves (3 center valves in illustration below).** Insert spring retainer (15) into valve plate (16). Then insert spring (13), valve (12), and valve seat (11). If pump has plastic spring retainers, install flat Tetra seal O-ring (14) between spring retainer and valve seat. Insert dampening washer (39), if included in your valve assembly.

- **Outlet Valves (3 outer valves in illustration below).** Insert dampening washer (39), if included in your valve assembly. Insert valve seat (11), valve (12), spring (13), and spring retainer (15). If the pump has **plastic** spring retainers, install flat Tetra seal O-ring (14) between spring retainer and valve seat. If the pump has **metal** spring retainers in outlet valves, position them so a leg does not point toward the center of the pump (See illustration below.)



Illinois Location:

(847) 841-7867

860 Church Rd Elgin, IL 60123

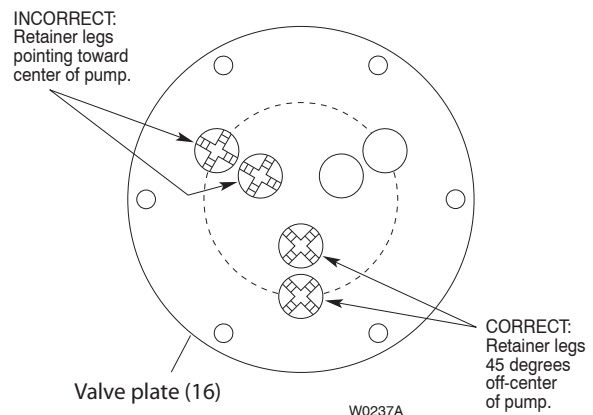
Minnesota Location:

(651) 758-7867

330 Mill Bay South Suite 1511 Afton, MN 55001

PumpSupplyInc.com

Valve Retainer Orientation In Valve Plate



D/G10 Service (Fluid End)



3. Inspect and Replace Diaphragms (20)

If necessary to service diaphragms, remove two socket-head cap screws (41) that secure valve plate (16) to cylinder casting (24). Inspect valve plate the same as manifold in Paragraph 1, step d.

- a. Lift diaphragm (20) by one edge, and turn pump shaft (**use the shaft rotator from the Wanner Tool Kit**) until diaphragm pulls up. This will expose machined cross-holes in plunger shaft behind diaphragm.
- b. Insert plunger holder (**from the Wanner Tool Kit**) through one of machined cross holes to hold diaphragm up. Don't remove tool until new diaphragm is installed in step f below.
- c. Remove the screw (17), O-ring (18), and follower (19) in center of diaphragm (20).
- d. Remove diaphragm (20), and inspect carefully. A damaged diaphragm generally indicates a pumping system problem. Replacing diaphragm only, will not solve the larger problem. Inspect diaphragm for following:
 - **Puncture.** Usually caused by sharp foreign object in fluid.
 - **Diaphragm pulled away** from center screw or from cylinder sides. Usually caused by fluid being frozen in pump, or by over-pressurization of pump.
 - **Diaphragm becoming stiff** and losing flexibility. Usually caused by pumping fluid that is incompatible with diaphragm material.
 - **Diaphragm edge chewed away.** Usually caused by over-pressurizing system.
- e. Inspect plunger (21) for any rough surfaces or edges. **Do not** remove plunger from plunger shaft. Smooth surfaces and edges as necessary with emery cloth or fine file.

CAUTION: If a diaphragm has ruptured and foreign material or water has entered the oil reservoir, do not operate the pump. Check all diaphragms, then flush the reservoir completely (as outlined below) and refill it with fresh oil. Never let the pump stand with foreign material or water in the reservoir, or with the reservoir empty.

- f. Install new diaphragm (20) (or old one, if not damaged), ridge side out.
- g. Clean screw (17) and remove any oil from it. Apply medium-strength thread locker to screw. Reinstall screw and follower (19), and new O-ring (18). Tighten to 18 in-lbs (2.0 N-m).
- h. Repeat above inspection procedure (and replacement, as necessary) with other two diaphragms.



Illinois Location:

(847) 841-7867

860 Church Rd Elgin, IL 60123

Minnesota Location:

(651) 758-7867

330 Mill Bay South Suite 1511 Afton, MN 55001

PumpSupplyInc.com

D/G10 Service (Fluid End)



4. Flush Contaminant from Hydraulic End

(only if a diaphragm has ruptured)

- Remove the brass cap (34) and allow all oil and contaminate to drain out.
- Fill reservoir with compatible solvent. Manually turn pump shaft to circulate compatible solvent and drain. Dispose of contaminated fluid properly.

CAUTION: If you have an EPDM diaphragm, or if food grade oil is in the reservoir, do not use kerosene or solvents. Instead, flush with the same lubricant that is in the reservoir.

- Repeat step b. flushing procedure.
- Fill reservoir with fresh oil and manually turn pump shaft to circulate oil. Drain oil.
- Refill reservoir with fresh oil. If oil appears milky, there is still contaminant in reservoir. Repeat steps c and d until oil appears clean.

5. Priming Hydraulic Cells

Note: Providing oil prime to fitted pumps requires pressure be applied to the diaphragms. This can be done manually, with the system head pressure, or with pressurized air if available. Review all methods below to determine the procedure most suitable.

Method 1 (system head pressure less than 2 psi)

- Install valve plate (16) but without the outlet valves installed (or else remove outlet valves; leave seats installed) onto cylinder housing (24). Tighten two socket-head screws (41).
- Fill reservoir with correct Hydra-oil to fill port.
- With blunt pointer (eraser end of pencil), reach in through each outlet valve port and push diaphragm (20) backwards. Note air bubbles coming out at oil fill port. Now turn shaft about 1/2 turn.
- Repeat depressing diaphragms (20) and rotating shaft (approximately 4 to 6 times) until no more air bubbles escape and oil has dropped about 1 inch (25 mm) from top of fill port. Hydraulic cells are now primed. Replace oil fill cap (27) and O-ring (26).
- Install outlet valve assemblies in each outlet valve port. See Parts list for correct assembly order. If necessary, tip pump (head upward) to keep valve (12) centered on valve seat (11) and allow valve retainer (15) to fit into port flush.
- Install manifold (6) and complete installation.

Alternative Method 1 (system head pressure less than 2 psi)

- With pump horizontal, and the fluid-end head removed, fill reservoir with correct Hydra-oil to fill port.
- Have catch basin for oil that leaks from behind diaphragms when priming. Catch oil and dispose of properly. **Do not reuse oil.**
- All air in oil within hydraulic piston behind diaphragms (20) must be forced out by turning shaft (and pumping piston). A shaft rotator is included in the Hydra-Cell Tool Kit. Keep pressure on diaphragms while turning shaft until bubble-free flow of oil comes from behind all diaphragms. Maintain oil level in reservoir. Do not allow oil level to be lower than reservoir.
- Before oil runs out past diaphragms (20), quickly attach loaded valve plate (16) with socket head screws (41). Do not tighten screws completely. Leave gap between valve plate and the cylinder housing (24). Turn shaft 2-3 turns to finish forcing out air behind diaphragms. Hydraulic cells are now primed. Finish tightening valve plate with two socket head screws (41) and add pump manifold (6).
- Wipe excess oil from around pump head.
- Check that oil level is 1 inch (25 mm) from top of fill port.
- Replace oil fill cap (27) and O-ring (26) and complete installation.



Illinois Location:

(847) 841-7867

860 Church Rd Elgin, IL 60123

Minnesota Location:

(651) 758-7867

330 Mill Bay South Suite 1511 Afton, MN 55001

PumpSupplyInc.com

D/G10 Service (Fluid End)



Method 2 (head pressure *greater* than 2 psi)

This simple and clean method of priming Hydra-cells requires an inlet head pressure of at least 5 feet (1.5 m) or 2 psi (.14 bar). The pressure source is required to hold the diaphragms back while the piston moves so as to force out the air.

- a. Completely assemble pump and fill reservoir with correct Hydra-oil to fill port.
- b. **When tank head pressure is being used to prime**, install pump back into system and connect tank supply line to pump inlet. Pump discharge line may be connected at this time, but end of line must be open to allow air to pass out.
- c. Slowly turn pump shaft by hand and watch for bubbles exiting oil reservoir fill opening. This will take several rotations; when no more bubbles come out and reservoir level has dropped about 1" (25 mm), hydraulic cells are primed.
- d. Replace oil fill cap (27) and O-ring (26) and complete installation.
- e. **When compressed air is being used to prime**, insert clean air hose to pump inlet and restrict pump outlet. Turn shaft quarter turn and then apply air pressure into manifold to put pressure on diaphragms (20). This will force air out from inside pistons. Observe for bubbles at reservoir opening. Repeat for several rotations until no more air bubbles come out and reservoir level has dropped about 1" (25 mm). Hydraulic cells are now primed.
- f. Replace oil fill cap (27) and O-ring (26) and complete installation.

6. Reinstall Valve Plate (16), Manifold (6),

Note: Use the cap screw (29) protruding through the cylinder casting at the 10 o'clock position to locate the valve plate on the cylinder casting. Place the "blind hole" on the valve plate over this bolt.

- a. With valve assemblies installed as outlined above, reinstall valve plate (16) onto cylinder housing (24). Recheck that blind hole is over protruding bolt at 10 o'clock position. Install two socket-head cap screws (41) and secure valve plate to cylinder casting.
- b. Reinstall O-rings (7,8,9) on rear side of the manifold (6). Use a compatible petroleum jelly or lubricating gel to hold them in place.
- c. Reinstall manifold (6) onto valve plate (16). Be sure drain plug (3) is installed in manifold.

Note: on pumps with non-metallic head, position support plate (42) onto manifold with ports and bolt holes aligned correctly.

- d. Insert bolts (4) and washers (5). Hand tighten.
- e. Reinstall center bolt (1) with washer (2), and torque to 45 ft-lbs (60 N-m).
- f. Alternately tighten six perimeter bolts (4). Torque to 45 ft-lbs (60 N-m).
- g. Recheck all bolts for tightness.



Illinois Location:

(847) 841-7867

860 Church Rd Elgin, IL 60123

Minnesota Location:

(651) 758-7867

330 Mill Bay South Suite 1511 Afton, MN 55001

PumpSupplyInc.com

D/G10 Service (Hydraulic End)



Note: The numbers in parentheses are the Reference Numbers on the exploded view illustrations found in this manual and also in the Parts Section.

CAUTION: Do not disassemble the hydraulic end of the pump unless you are a skilled mechanic. For assistance, contact Wanner Engineering (TEL 612-332-5681 or FAX 612-332-6937) or the distributor in your area.

CAUTION: The two bolts (29 or 25) that screw through the back of the housing into the cylinder housing (24) hold the housing to the pump housing. Do not remove them except when repairing the hydraulic end.

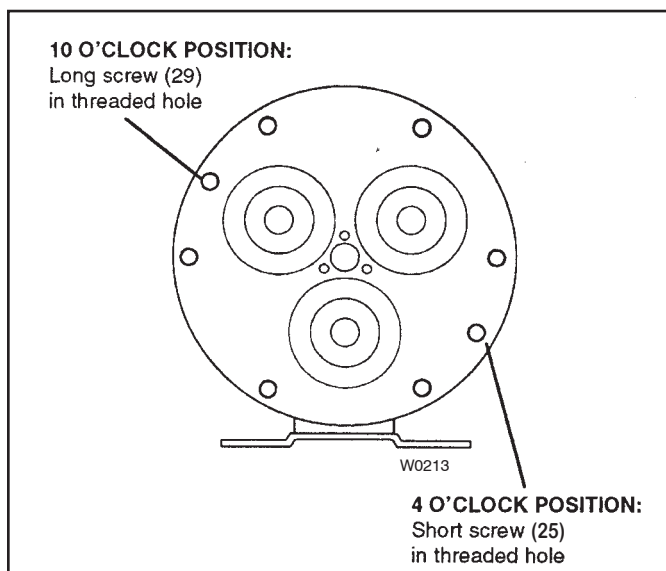
Note: The following service procedures refer several times to the Wanner Tool Kit (P/N A03-175-1101). We strongly urge you not to try to repair the hydraulic end of the pump without using the tools in this kit (available from Wanner or your local distributor).

1. Remove Pump Housing

- Remove head of pump, and diaphragms, as outlined in the Fluid-End Service Section.
- Drain oil from pump housing by removing drain plug (34).
- Set hydraulic end of pump face-down on cylinder housing (24), onto smooth, clean surface.
- Check shaft for sharp burrs. Smooth any burrs, to prevent scarring housing seals (64) when you disassemble pump.
- Remove bolts (29 or 25) that secure housing to cylinder housing. Piston return springs (50) will force cylinder housing and housing apart.

Note: When reassembling later, note that one bolt (29) is 1/4 in. (5 mm) longer than the other (25). The longer bolt must be installed in the 10 o'clock position of the cylinder housing (24).

- Lift off housing (30).
- Inspect cam and bearings (62), and bearing race in rear of pump housing. If bearings are pitted or binding, or if housing race is worn, replace them both.



Illinois Location:

(847) 841-7867

860 Church Rd Elgin, IL 60123

Minnesota Location:

(651) 758-7867

330 Mill Bay South Suite 1511 Afton, MN 55001

PumpSupplyInc.com

D/G10 Service (Hydraulic End)



2. Disassemble Pistons

- With pump housing removed (see above), turn unit over and set it on flat surface, piston side down.
- With diaphragms removed (see Fluid-End Service Section), reinsert follower screw (17) into hole in one of valve plungers (54). Tap screw lightly with hammer and plunger (21) should slip off valve plunger (54).

Hydraulic piston assembly (50-59) can now be disassembled. Inspect all parts, and replace all O-rings and any other parts that are worn or damaged.

- Repeat step b. for remaining pistons.

Note: When you reassemble the hydraulic piston, use new plungers (21). They are press-fit onto the valve plungers (54) and are not reusable.

3. Reassemble Pistons

- Drop ball (58) into each opening in bottom of piston assembly (59).
- Insert retaining washer (57) and O-ring (56) to hold balls in place.
- Insert valve plunger (54) into valve cylinder (55). Slide spring (53) over plunger, inside valve cylinder.
- Insert O-ring (52) into spring retainer (51).
- Slide assembled valve cylinder, plunger, and spring (53-55) into spring retainer (51).
- Slide complete cylinder-and-retainer assembly (51-55) into piston assembly (59).
- Insert return spring (50) into piston assembly, wide end first. This is tight fit, and can best be done by turning spring in counterclockwise.
- Repeat above procedure for other two pistons.

4. Reassemble Pump Housing and Cylinder Housing

Note: Inspect the shaft seals (64) before continuing. If they look damaged in any way, replace them (remove by pounding them out from inside the pump housing). Both seals should be replaced at the same time. Clean the bore in the housing using emery cloth or ScotchBrite™.

- Place cylinder housing (24) face-down on flat surface.
- Insert assembled pistons (50-59) into cylinder housing. Holes on foot end of pistons should all point toward center of housing.
- Note location of outer ring of holes in cylinder housing and in pump housing flange (in particular, holes where bolts (29) and (25) will be installed).
- Stand camshaft assembly (62) on cylinder housing (24).

CAUTION: The pilot bearing MUST be properly nested in the bearing race during assembly. If misaligned, the bearing will be damaged and the pump will fail within the first hours of operation.

- Using petroleum jelly or grease to retain it, install O-ring (65) and slide housing (30) down over shaft. Be sure holes in housing and the cylinder housing are properly aligned.
- Install two assembly studs from Tool Kit, washers and nuts on threaded studs, but don't tighten yet. You may want to insert two or more bolts (4) into unthreaded holes of housing and cylinder housing to help align parts.
- Alternately tighten the nuts of assembly studs to evenly draw housing down to cylinder housing. Be sure O-ring (65) stays in place.
- Also, as you tighten nuts keep checking shaft alignment by turning shaft (use rotator in Wanner Tool Kit). If shaft begins to bind and become difficult to turn, back off nuts and realign shaft. When housing is tight against cylinder housing, you should be able to turn shaft smoothly.
- After pump housing and cylinder housing are together, insert bolt (25) with lock washer (5) (at 4 o'clock position) through pump housing and into cylinder housing. Repeat with bolt (29) in 10 o'clock position. Tighten evenly and then remove assembly studs.
- Turn shaft again to check its alignment.



Illinois Location:

(847) 841-7867

860 Church Rd Elgin, IL 60123

Minnesota Location:

(651) 758-7867

330 Mill Bay South Suite 1511 Afton, MN 55001

PumpSupplyInc.com

D/G10 Service (Hydraulic End)



5. Replace Shaft Seals

- a. Apply thin film of grease on seal protector tool (part of Wanner Tool Kit). Slide both seals onto tool, with spring side of seals toward open end of tool.
Apply heavier coat of grease between seals and press together.
- b. Apply coating of Loctite® High-Performance Pipe Sealant with PTFE, or comparable product, to outer surface of both seals and inside surface of the opening in pump housing where seals will rest.
- c. Apply light film of grease to drive shaft. Slide seal protector tool (with two seals) over end of shaft.
- d. Slide seal inserter tool (from Wanner Tool Kit) over seal protector tool, and press seals completely into place. Tap tool with soft mallet to firmly seat seals.

6. Adjust Cam Shaft Endplay

- a. Remove three set screws (22) from cylinder housing (24), and clean them.
- b. Insert center bolt (1) into hole in center of cylinder housing. Turn it in to move bearing adjusting plate (61) and cup tight against bearing cone.
- c. Back out center bolt two full turns, then turn it back in again until it is tight against adjusting plate (61).
- d. Back out the center bolt exactly 1/4 of a turn.
- e. With plastic mallet (or regular mallet and wooden board) to prevent damage to shaft, rap end of shaft 3 or 4 times. This will provide about 0.006 in. (0.15 mm) endplay in shaft.
- f. Apply removable threadlocker to threads of three cleaned set screws (22).
Screw three set screws (22) into cylinder housing until they contact bearing adjusting plate (61).
- g. Remove center bolt (1).



Illinois Location:

(847) 841-7867

860 Church Rd Elgin, IL 60123

Minnesota Location:

(651) 758-7867

330 Mill Bay South Suite 1511 Afton, MN 55001

PumpSupplyInc.com

D/G10 Service (Hydraulic End)



7. Install Plungers

Note: If the plungers (21) have been removed from the valve plungers (54), do not reuse them. Install new ones instead.

- a. Rotate pump shaft so piston is at top-dead-center position.
- b. Place plunger on exposed screw end of plunger guide tool (from Wanner Tool Kit). Larger-diameter side of plunger should face tool.
- c. Screw guide (with plunger) into valve plunger (54) until tight.
- d. Hold single bottom handle of guide, and turn double top handle to force plunger to seat on valve plunger. This is press-fit. When installed, plunger should be tight against shoulder of valve plunger.

Note: Do not remove the plunger guide until the diaphragm is installed (see below).

- e. Install diaphragm as outlined below, then repeat procedure for other two plungers and diaphragms.

8. Reinstall Diaphragms

- a. With plunger guide tool still screwed into valve plunger (54), pull valve plunger up until cross-holes in valve plunger are exposed.
- b. Insert diaphragm Allen wrench (from Wanner Tool Kit), through top hole — to hold plunger (21) away from cylinder housing. This will also keep valve plunger from turning when diaphragm is being installed.
- c. Place diaphragm (20) onto plunger (21) ridge-side out.
- d. Center diaphragm follower (19) on diaphragm.
- e. Place O-ring (18) onto follower screw (17).
- f. Apply small amount of threadlocker to threads of follower screw.
- g. Insert follower screw (with O-ring) through diaphragm follower (19) and diaphragm (20), and screw it into valve plunger (54).
- h. Hold plunger holder, and torque follower screw to 18 in.-lbs (2.0 N-m).
- i. Repeat above procedure for plungers and diaphragms of other two cylinders.
- j. Fill reservoir with fresh oil and prime pump, as outlined in Fluid-End Service Section.

9. Reassemble Pump Head

Reassemble pump head as outlined in Fluid-End Service Section.



Illinois Location:

(847) 841-7867

860 Church Rd Elgin, IL 60123

Minnesota Location:

(651) 758-7867

330 Mill Bay South Suite 1511 Afton, MN 55001

PumpSupplyInc.com

D/G10 Troubleshooting

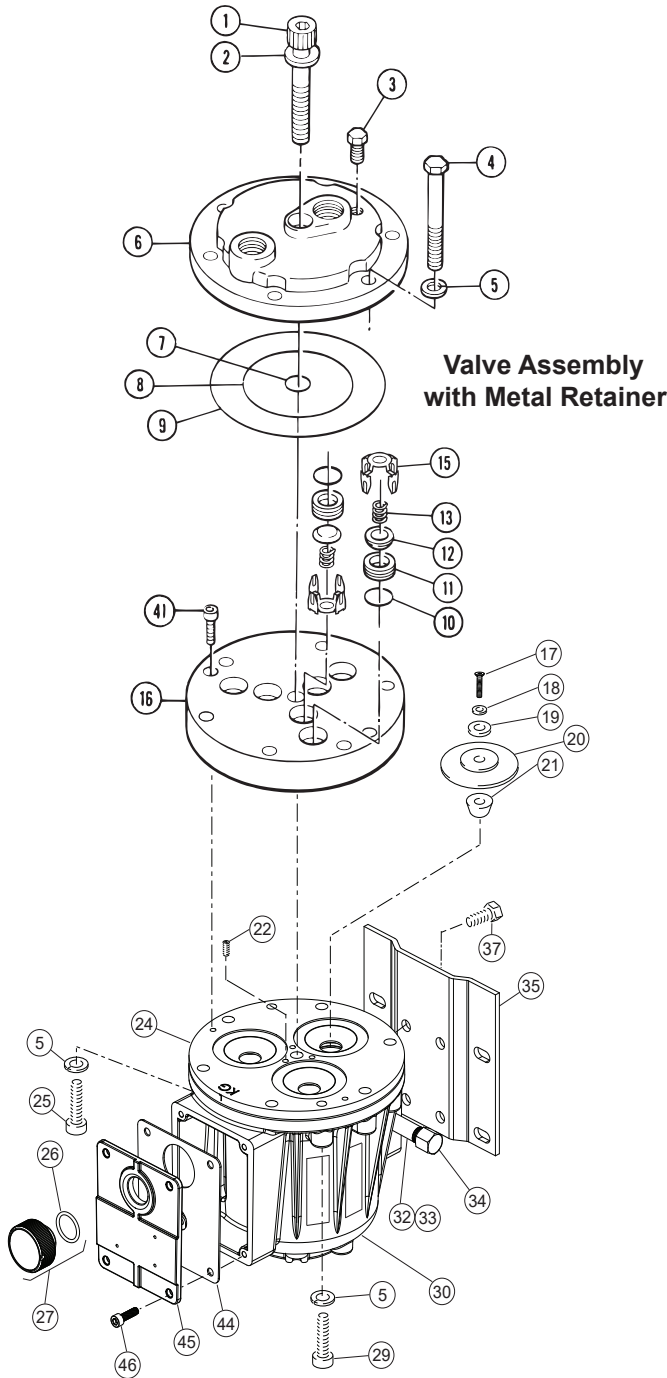


Problem	Probable Cause	Solution
Motor/Pump Does Not Operate:	No power.	Supply correct power according to motor requirements.
	Blown fuse/tripped circuit breaker.	Replace/reset, eliminate circuit overload.
	Shaft coupling to pump not in place.	Install proper coupling hardware (see parts list).
	Current overload - motor.	Motor not rated for pump operating conditions - install proper motor.
	Thermal overload - motor.	Motor not rated for pump and/or ambient operating conditions - supply cooling or install proper motor.
	Faulty motor drive/controller.	Repair/replace.
	Faulty motor.	Repair/replace.
	Low liquid level in supply tank (if low-level shut-off is used).	Fill tank.
No Delivery	Supply tank empty.	Fill tank.
	Loss of prime	Re-prime using Initial Start-Up Procedure.
	Inlet line or strainer clogged.	Clear debris and flush, or replace.
	Inadequate supply pressure at pump inlet.	Increase supply pressure by raising fluid level in tank, raising tank, or pressurizing suction tank.
	Inlet line too restrictive.	Increase inlet line diameter and/or decrease inlet line length.
	Fluid viscosity too high.	Reduce viscosity if possible (by heat or some other means). Increase inlet line diameter and/or decrease inlet line length. Increase supply pressure.
	Vapor lock/cavitation.	Increase inlet pressure. Decrease fluid temperature.
	Pump valves held open or worn out.	Clear debris and flush, or replace (see Fluid End Service)
	System relief valve actuating.	Adjust relief valve, or repair, clean, or replace with new relief valve.
Delivery Too Low and/or Erratic	Review all Probable Causes and Solutions in Problem 2 No Delivery above.	
	Air leak(s) in inlet line.	Locate all leaks and repair.
	System back pressure too low.	Adjust back pressure valve to higher setting. Install back pressure valve if none in system.
	Pumped fluid characteristics changed.	Monitor supply tank temperature to determine if fluid is too hot (leading to cavitation) or too cold (increasing fluid viscosity). Stabilize temperature at suitable level to resolve problem. Check for entrapped air in the fluid supply system.
	Inlet supply pressure changed.	Monitor inlet supply pressure (at the pump) to determine if it is too low, causing a starved condition/cavitation. Stabilize pressure at suitable level to resolve problem.
	Oil condition in pump hydraulic end changed.	Check oil level - if low evaluate for source of leakage. Consult factory for hydraulic end service.
Change oil per recommended guidelines in maintenance section.		
Delivery Too High and/or Erratic.	System back pressure too low.	Adjust back pressure valve to higher setting. Install back pressure valve if none in system.
	Inlet supply pressure changed.	Monitor inlet supply pressure (at the pump) to determine if it is too high, causing a "flow-through" condition. Stabilize pressure at suitable level to resolve problem.

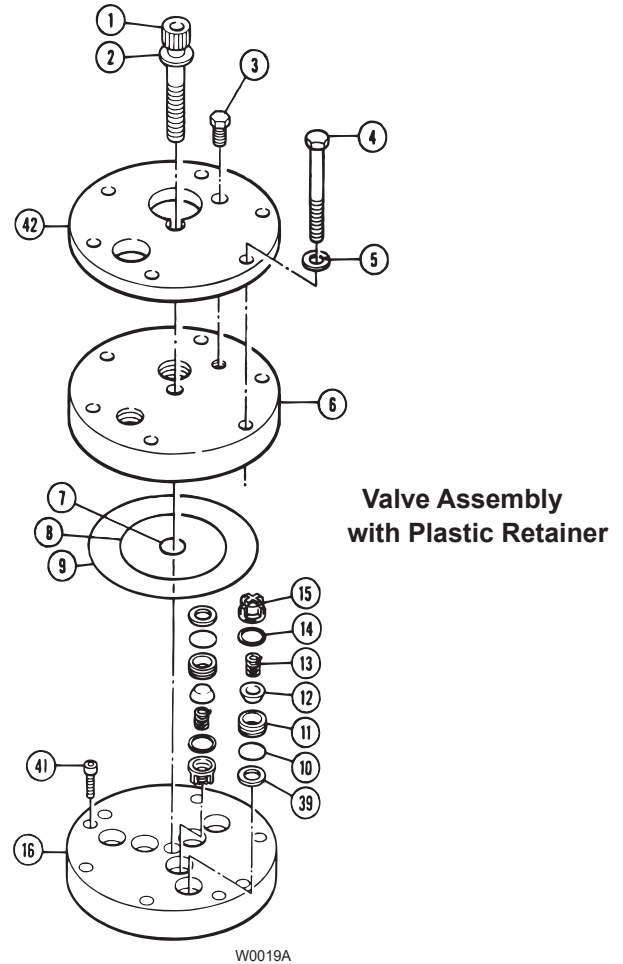
D/G10 Fluid End Parts



Metallic Pump Head



Non-Metallic Pump Head



Illinois Location:

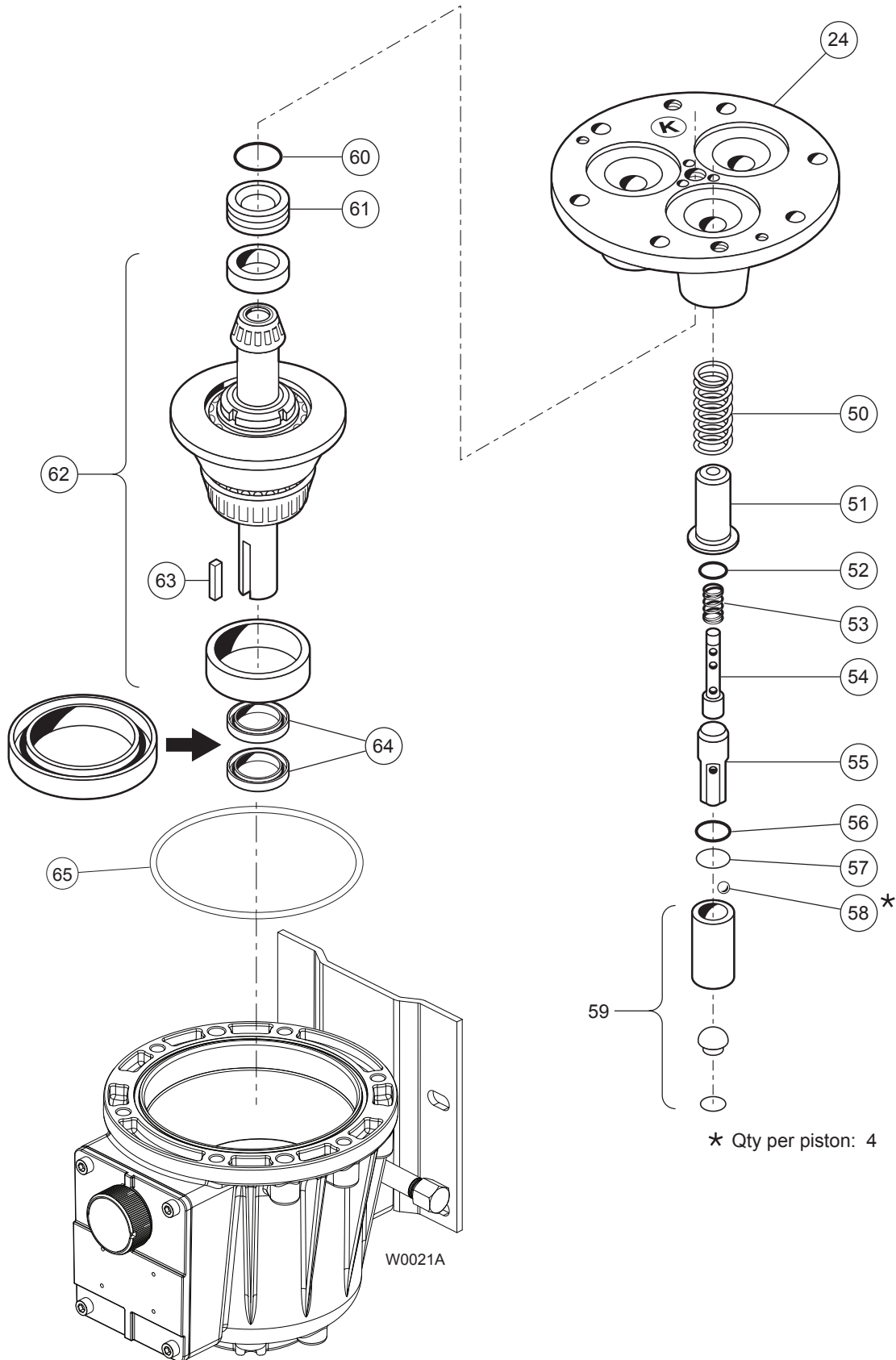
(847) 841-7867
860 Church Rd Elgin, IL 60123

Minnesota Location:

(651) 758-7867
330 Mill Bay South Suite 1511 Afton, MN 55001

PumpSupplyInc.com

D/G10 Hydraulic End Parts



D/G10 Hydraulic End Parts



Ref. No.	Part Number	Description	Quantity/ Pump
50	D10-019-3110	Spring, Piston return	3
51	K10-042-1010	Retainer, Spring	3
52	C23-009-2110	O-ring, Valve cylinder, Buna-N	3
53	K10-045-3110	Spring, Sleeve valve	3
54	K10-044-1010	Valve Plunger	3
55	K10-043-1010	Cylinder, Valve	3
56	D10-034-2110	O-ring, Buna-N.....	3
57	D10-041-1010	Washer, Ball retainer.....	3
58	D10-015-3010	Ball	12
59	K10-014-1210	Piston Assembly ^{A5}	3
60	D25-035-2110	O-ring, Bearing adjusting plate, Buna-N ..	1
61	D10-012-1010	Bearing Adjusting Plate.....	1
62	D10-007-1210	(X) Cam Assembly, 8 gpm @ 1450 rpm ^{A6}	-
	D10-007-1211	(I) Cam Assembly, 4 gpm @ 1750 rpm ^{A6}	-
	D10-007-1212	(S) Cam Assembly, 6 gpm @ 1750 rpm ^{A6}	-
	D10-007-1214	(E) Cam Assembly, 8 gpm @ 1750 rpm ^{A6}	-
63	D10-085-2210	Key, Shaft.....	1
64	D10-031-2110	Seal , Buna-N.....	2
65	D10-037-2110	O-ring, Pump housing, Buna-N.....	1
66	D10-111-2401	Label, Caution, freezing	1
67	D10-111-2402	Label, Caution, check oil.....	1

^{A5} Piston Assembly includes: piston, piston foot, retaining ring, and items (50-58).

^{A6} Cam Assembly includes: cam, shaft, wobble plate, and bearings.



Illinois Location:

(847) 841-7867

860 Church Rd Elgin, IL 60123

Minnesota Location:

(651) 758-7867

330 Mill Bay South Suite 1511 Afton, MN 55001

PumpSupplyInc.com

D/G10 Adapter Kit Parts



D10 Pump/Motor Adapter Kit

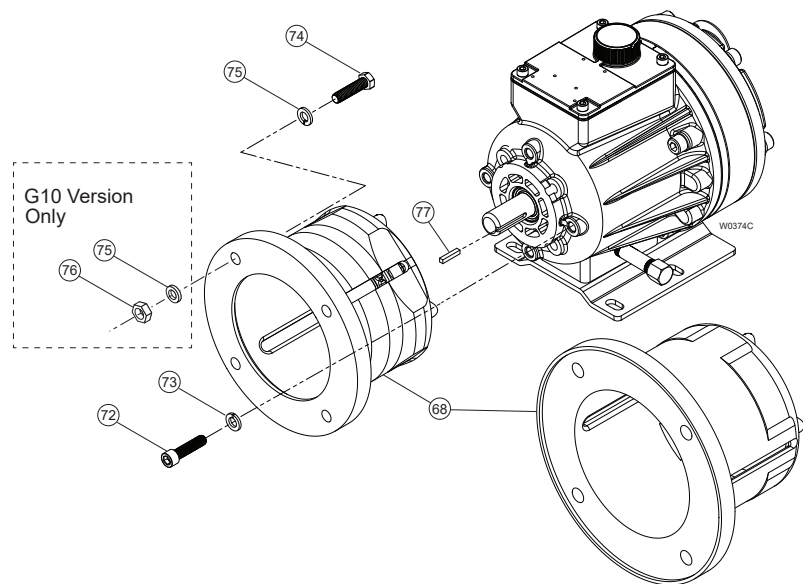
For 56C-145TC NEMA C-Face Motors (Adapter Kit Part No. A04-001-1200)

For 182-215TC NEMA C-Face Motors (Adapter Kit Part No. A04-002-1200)

G10 Pump/Motor Adapter Kit

For IEC 80-95 B5 Flange Motors (Adapter Kit Part No. A04-003-1200)

For IEC 100-112 B5 Flange Motors (Adapter Kit Part No. A04-004-1200)



Ref No.	Description	A04-001-1200 ¹ A04-003-1200 ²	A04-002-1200 ¹ A04-004-1200 ²	Qty/Kit
68	Pump/Motor Adapter	A04-032-1050 ¹ A04-032-1051 ²	A04-033-1050 ¹ A04-033-1051 ²	1 1
72	Screw, Cap, soc-hd	G10-089-2010	G10-089-2010	4
73	Lockwasher, Split	G25-048-2011	G25-048-2011	4
74	Screw, Cap, hex-hd	D03-068-2010 ¹ A04-046-2010 ²	M10-110-2000 ¹ A04-043-2010 ²	4 4
75	Lockwasher, Split	D10-048-2010 ¹ A04-044-2010 ²	M10-111-2000 ¹ M10-111-2000 ²	4 8
76	Nut, hex	A04-047-2010 ²	A04-045-2010 ²	4
77	Key, Short	A04-085-2210	A04-085-2210	1

¹ D10.

² G10.



Illinois Location:

(847) 841-7867

860 Church Rd Elgin, IL 60123

Minnesota Location:

(651) 758-7867

330 Mill Bay South Suite 1511 Afton, MN 55001

PumpSupplyInc.com

D/G10 Series Replacement Parts Kits

TO ORDER REPLACEMENT PARTS KIT: A Replacement Parts Kit contains 11 digits corresponding to customer-specified design options.

1	2	3	4	5	6	7	8	9	10	11
---	---	---	---	---	---	---	---	---	----	----

Digit	Code	Order Description
1-3		Pump Configuration
	D10	For all D10 Pumps ^{1,2}
	G10	For all G10 Pumps ^{3,4}
4		Kit Designator
	K	Complete Fluid End Kit
	D	Diaphragm Kit
	V	Valve Kit
5-6		Pump Head Version
	52	Metallic Pump Head Version ^{1,3}
	55	Non-Metallic Pump Head Version ^{2,4}
7		Diaphragm & O-ring Material
	E	EPDM
	G	FKM
	J	PTFE
	P	Neoprene
	T	Buna-N
8		Valve Seat Material
	C	Ceramic
	D	Tungsten Carbide
	H	17-4 PH Stainless Steel
	S	316 Stainless Steel
	X	Not included in Diaphragm Kit
9		Valve Material
	C	Ceramic
	D	Tungsten Carbide
	F	17-4 PH Stainless Steel
	N	Nitronic [®] 50
	X	Not included in Diaphragm Kit
10		Valve Springs
	E	Elgiloy [®]
	H	17-7 PH Stainless Steel
	X	Not included in Diaphragm Kit
11		Valve Spring Retainers
	C	Celcon [®]
	H	17-7 PH Stainless Steel ^{2,4}
	M	PVDF
	P	Polypropylene
	X	Not included in Diaphragm Kit

Kit Contents			Kit Designator		
Part Number*	Description	Qty	K	D	V
D10-018-___	Diaphragm	3	•	•	
D10-047-___	O-ring, Follower	3	•	•	
D10-074-___	O-ring, Outer manifold ^{1,3}	1	•	•	•
D10-109-___	O-ring, Outer manifold ^{2,4}	1	•	•	•
D10-073-___	O-ring, Inner manifold	1	•	•	•
D10-083-___	O-ring, Center bolt	1	•	•	•
D10-035-___	O-ring, Valve seat	6	•		•
D10-020-___	Valve seat	6	•		•
D10-021-___	Valve	6	•		•
D10-022-___	Valve spring	6	•		•
D10-092-___	Tetra seal **	6	•		•
D10-023-___	Retainer, Valve spring	6	•		•
D10-125-___	Washer, Dampening ^{2,4}	6	•		•
A01-113-3400	Threadlocker	1	•	•	

* Last four digits of part numbers with -___ refer to specific material of construction.

** Not included with metallic spring retainers. ^{1,3}

Hydra-Cell[®] is a registered trademark of Wanner Engineering, Inc.
 Kel-Cell[®] is a registered trademark of Wanner Engineering, Inc.
 Celcon[®] is a registered trademark of the Celanese Company.
 Elgiloy[®] is a registered trademark of Elgiloy Limited Partnership
 Hastelloy[®]C is a registered trademark of Haynes International, Inc.
 Nitronic[®] 50 is a registered trademark of AK Steel Corporation



Illinois Location:
 (847) 841-7867
 860 Church Rd Elgin, IL 60123

Minnesota Location:
 (651) 758-7867

330 Mill Bay South Suite 1511 Afton, MN 55001

PumpSupplyInc.com

¹ D10 Metallic.

³ G10 Metallic.

² D10 Non-metallic.

⁴ G10 Non-metallic..

D/G10 Warranty



Limited Warranty

Wanner Engineering, Inc. extends to the original purchaser of equipment manufactured by it and bearing its name, a limited one-year warranty from the date of purchase against defects in material or workmanship, provided that the equipment is installed and operated in accordance with the recommendations and instructions of Wanner Engineering, Inc. Wanner Engineering, Inc. 860 Church Rd Elgin, IL 60123

Illinois Location:
(847) 841-7867

option, defective parts without charge if such parts are returned with transportation charges prepaid to Wanner Engineering, Inc., 1204 Chestnut Avenue, Minneapolis, Minnesota 55403.

Minnesota Location:
(651) 758-7867

330 Mill Bay South Suite 1511 Afton, MN 55001

This warranty does not cover:

1. The electric motors (if any), which are covered by the separate warranties of the manufacturers of these components.
2. Normal wear and/or damage caused by or related to abrasion, corrosion, abuse, negligence, accident, faulty installation or tampering in a manner which impairs normal operation.
3. Transportation costs.

This limited warranty is exclusive, and is in lieu of any other warranties (express or implied) including warranty of merchantability or warranty of fitness for a particular purpose and of any non contractual liabilities including product liabilities based on negligence or strict liability. Every form of liability for direct, special, incidental or consequential damages or loss is expressly excluded and denied.

PumpSupplyInc.com



Illinois Location:

(847) 841-7867
860 Church Rd Elgin, IL 60123

Minnesota Location:

(651) 758-7867
330 Mill Bay South Suite 1511 Afton, MN 55001

PumpSupplyInc.com

