

# SALES & ENGINEERING DATA

RATIO SERIES: **1:1**

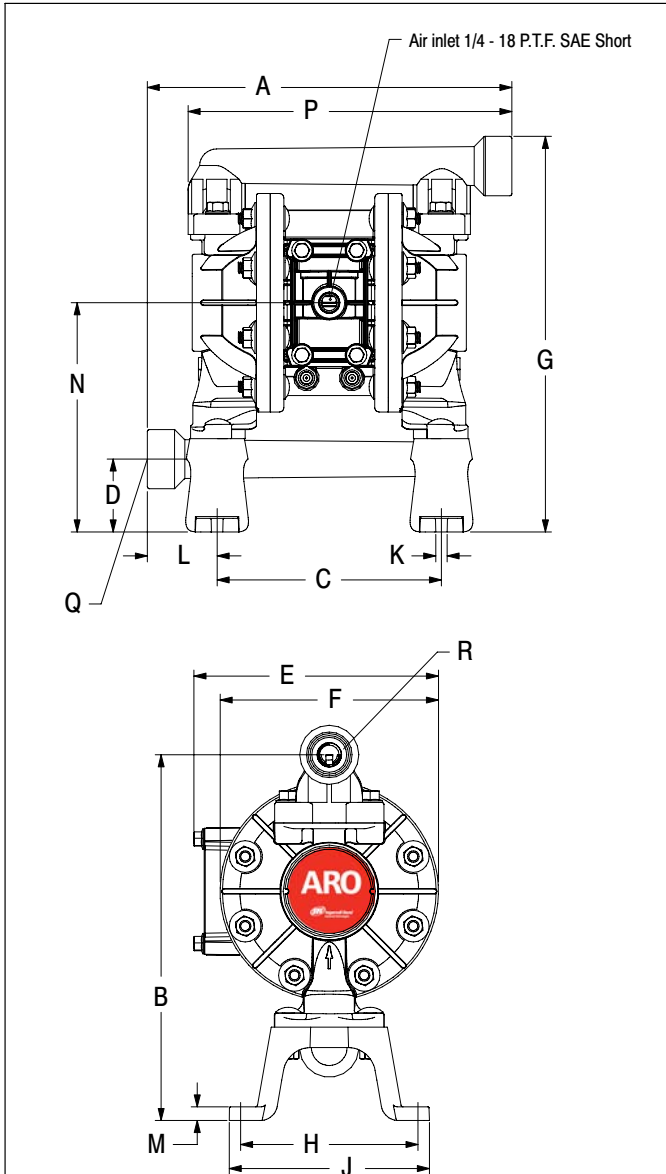
FLUID P.S.I. RANGE: **10 - 100**

## PD07P-XPS-PXX

### 3/4" NON-METALLIC DIAPHRAGM PUMP

RELEASED: 12-4-06  
 REVISED: 9-16-11  
 (REV. 04) S-1409

#### DIMENSIONAL DATA



#### DIMENSIONS

A - 10-1/16" (254.2 mm)	F - 6-1/32" (153.1 mm)	L - 1-15/16" (48.9 mm)
B - 10-3/32" (256.1 mm)	G - 10-29/32" (276.8 mm)	M - 3/8" (9.6 mm)
C - 6-3/16" (157.1 mm)	H - 4-29/32" (124.2 mm)	N - 6-5/16" (160.5 mm)
D - 2" (51.0 mm)	J - 5-17/32" (140.2 mm)	P - 8-7/8" (225.3 mm)
E - 6-3/4" (171.0 mm)	K - 5/16" (8.0 mm)	

<b>Model</b>	<b>"Q" Material Inlet</b>	<b>"R" Material Outlet</b>
PD07P-APS-PXX	3/4 - 14 N.P.T.F. - 1	3/4 - 14 N.P.T.F. - 1
PD07P-BPS-PXX	Rp 3/4 (3/4 - 14 BSP)	Rp 3/4 (3/4 - 14 BSP)

NOTE: Dimensions are shown in inches and (mm) and are supplied for reference only.

#### SPECIFICATIONS

##### CONSTRUCTION

<b>Model Series</b> .....	PD07P-XPS-PXX
<b>Pump Type</b> .....	Non-Metallic, Air Operated, Double Diaphragm
<b>Ratio</b> .....	1:1
<b>Material Inlet / Outlet (female)</b>	
PD07P-APS-PXX .....	3/4 - 14 N.P.T.F. - 1
PD07P-BPS-PXX .....	Rp 3/4 (3/4 - 14 BSP parallel)
<b>Air Inlet (female)</b> .....	1/4 - 18 P.T.F. SAE short
<b>Air Exhaust (standard)</b> .....	internal
(optional)(female) .....	3/8 - 18 N.P.T.F. - 1
<b>Weight</b> .....	5.61 lbs (2.54 kgs)
<b>Air Section Service Kit</b> .....	637428
<b>Fluid Section Service Kit</b> .....	637427-XX

**PD07P-XPS- P**    
**637427 -**    
 Diaphragm Material  
 Ball Material

EXAMPLE: Model #PD07P-APS-PAA  
 Fluid Section Service Kit is 637427-AA

##### PERFORMANCE

<b>Air Inlet Pressure Range</b> .....	10 - 100 p.s.i. (0.69 - 6.9 bar)
<b>Maximum Material Inlet Pressure</b> ...	10 p.s.i. (0.69 bar)
<b>Fluid Outlet Pressure Range</b> .....	10 - 100 p.s.i. (0.69 - 6.9 bar)
<b>Maximum Flow Rate (flooded inlet)</b> ..	14.8 g.p.m. (56.0 l.p.m.)
<b>Displacement / Cycle @ 100 p.s.i.</b> ..	0.032 gal. (0.12 lit.)
<b>Maximum Particle Size</b> .....	3/32" dia. (2.4 mm)
<b>Maximum Temperature Limits (diaphragm / ball / seat material)</b>	
Hytel .....	-20° to 150° F (-29° to 66° C)
Polypropylene .....	35° to 175° F (2° to 79° C)
Santoprene .....	-40° to 225° F (-40° to 107° C)
PTFE .....	40° to 225° F (4° to 107° C)
<b>Noise Level @ 70 p.s.i. - 60 c.p.m.</b> ①	75.0 db(A)②

##### Notes:

- ① Tested with 67367 muffler assembly installed.
- ② The pump sound pressure level has been updated to an Equivalent Continuous Sound Level (L<sub>Aeq</sub>) to meet the intent of ANSI S1. 13-1971, CAGI-PNEUROP S5.1 using four microphone locations.

##### ACCESSORIES:

- 66073-1 Air Line Connection Kit
- 637438 Ported Exhaust Kit
- 93110 Muffler



### PERFORMANCE CURVES

#### PD07P-XPS-PXX 3/4" NON-METALLIC DIAPHRAGM PUMP

