

SALES AND ENGINEERING DATA

PD30A-XXX-XXX-CXXX / PD30S-XXX-XXX-CXXX
PE30A-XXX-XXX-CXXX / PE30S-XXX-XXX-CXXX
PZ30A-XXX-XXX-CXXX / PZ30S-XXX-XXX-CXXX

3" METALLIC DIAPHRAGM PUMP

RATIO SERIES: 1:1

FLUID PSIG RANGE: 20 - 120

RELEASED: 2-9-05
REVISED: 6-17-22
(REV: K) S-1340

SPECIFICATIONS

CONSTRUCTION

Model Series	PX30A-XXX-XXX-CXXX PX30S-XXX-XXX-CXXX
Pump Type	Metallic, Air Operated, Double Diaphragm
Ratio	1:1
Material Inlet / Outlet (female)	
PX30X- <u>A</u> XX-XXX-CXXX	3 - 8 NPTF - 1
PX30X- <u>B</u> XX-XXX-CXXX	Rp 3 (3 - 11 BSP parallel)
PX30X- <u>D</u> XX-XXX-CXXX	3" ANSI Flange (4 Holes)
PX30X- <u>F</u> XX-XXX-CXXX	3" DIN Flange (8 Holes)
Air Inlet (female)	3/4 - 14 NPTF - 1
Air Exhaust (female)	1-1/2 - 11-1/2 NPT
Weight	
PX30A- <u>X</u> A X -XXX-CXXX	129.6 lbs (58.8 kgs)
PX30A- <u>X</u> C X -XXX-CXXX	221.1 lbs (100.3 kgs)
PX30A- <u>A</u> H X -XXX-CXXX, <u>B</u> H X	249.8 lbs (113.3 kgs)
PX30A- <u>A</u> S X -XXX-CXXX, <u>B</u> S X	228.8 lbs (103.8 kgs)
PX30A- <u>F</u> H X -XXX-CXXX, <u>D</u> H X	269.6 lbs (122.3 kgs)
PX30A- <u>F</u> S X -XXX-CXXX, <u>D</u> S X	245.6 lbs (111.4 kgs)
	[add 40.0 lbs (18.2 kgs) for Stainless steel air motor section]
Air Section Service Kit	637421
Fluid Section Service Kit (without Seats).....	637303-XX
Fluid Section Service Kit (with Seats).....	637303-XXX



PERFORMANCE

Air Inlet Pressure Range	20 - 120 psig (1.4 - 8.3 bar)
Maximum Material Inlet Pressure ...	10 psig (0.69 bar)
Fluid Outlet Pressure Range	20 - 120 psig (1.4 - 8.3 bar)
Maximum Flow Rate	237 gpm (897 lpm)
flooded inlet.	275 gpm (1,041 lpm)
Maximum Particle Size	3/8" dia. (9.5 mm)
Maximum Temperature Limits (diaphragm / ball / seat material)	
E.P.R./EPDM	-60° to 280° F (-51° to 138° C)
Hytrel®	-20° to 180° F (-29° to 82° C)
Nitrile	10° to 180° F (-12 to 82° C)
PVDF	10° to 200° F (-12° to 93° C)
Santoprene®	-40° to 225° F (-40° to 107° C)
PTFE	40° to 225° F (4° to 107° C)
Viton®	-40° to 350° F (-40° to 177° C)
Displacement / Cycle @ 100 psig ...	2.8 gal. (10.6 lit.)
Noise Level @ 70 psig - 50 cpm ① ...	83.0 dB(A) ②
①	Tested with 67263 muffler assembly installed.
②	The pump sound pressure level has been updated to an Equivalent Continuous Sound Level (LAeq) to meet the intent of ANSI S1. 13-1971, CAGI-PNEUROP S5.1 using four microphone locations.

ACCESSORIES:

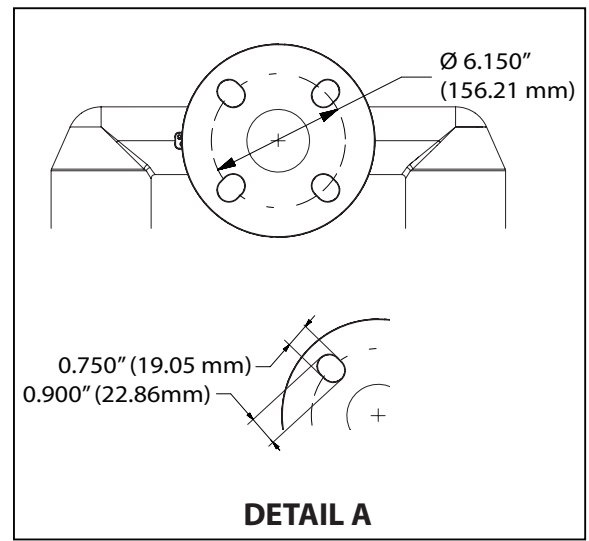
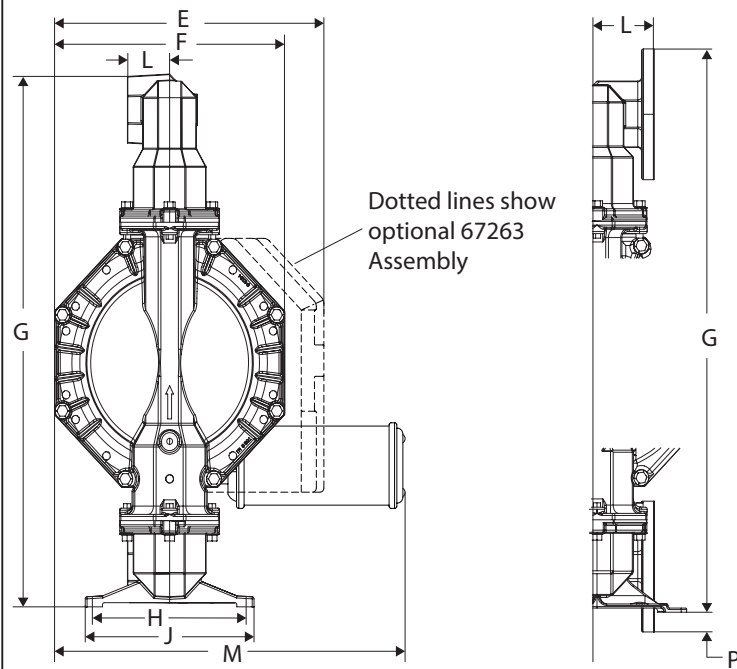
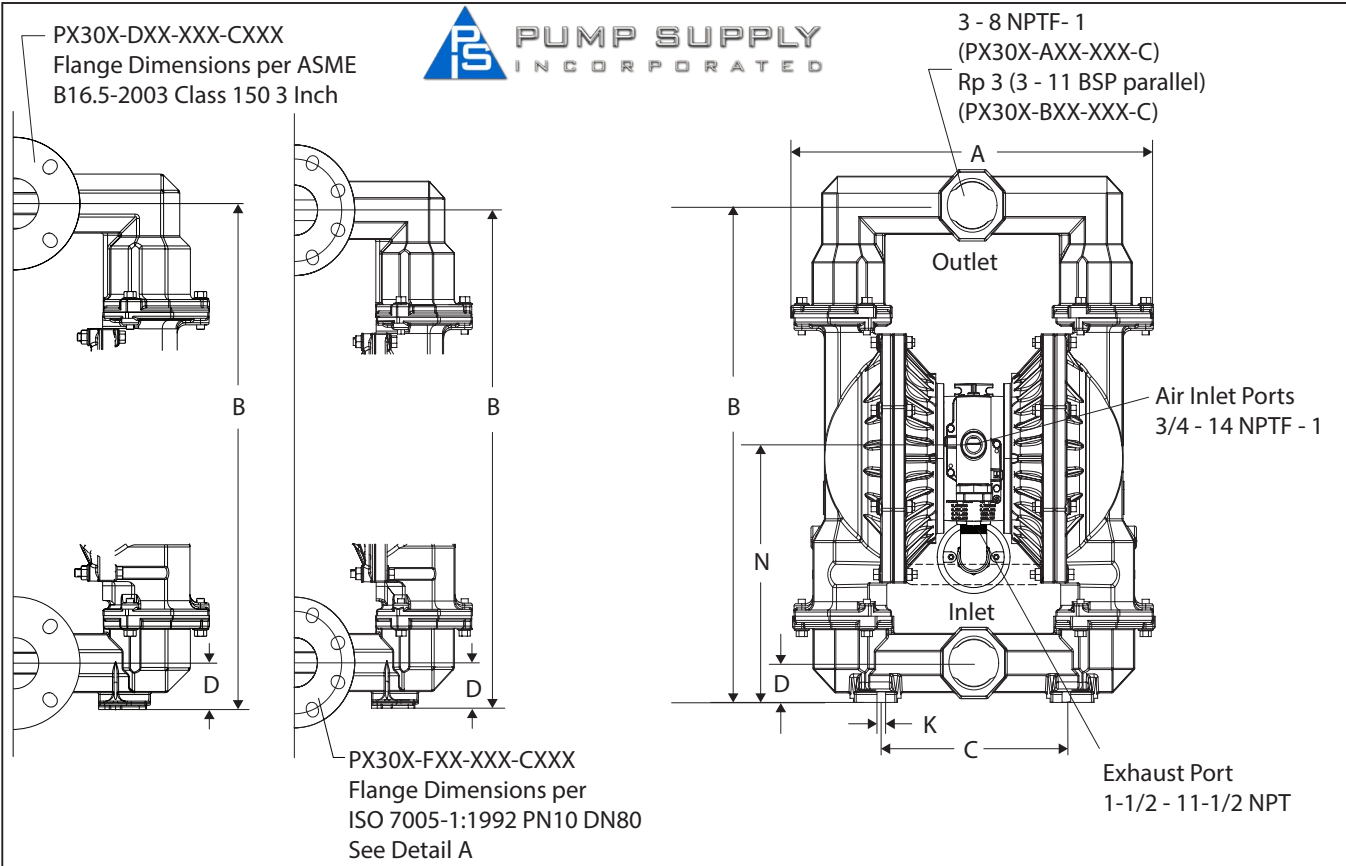
- 66109 Air line Connection Kit
- 67263 Continuous Muffler
- 94117 Int. Muffler

With Seats	PX30X-XXX-XXX-CXXX	Without Seats
637303 -XXX		637303 -XX
└─ Diaphragm Material		└─ Diaphragm Material
└─ Ball Material		└─ Ball Material
└─ Seat Material		
EXAMPLE: Model #PD30A-ACS-SVT-C		
Fluid Section Service Kit is 637303-VT (without Seats)		

<p>Illinois Location: (847) 841-7867 860 Church Rd Elgin, IL 61</p> <p>Minnesota Location: (651) 758-7867 330 Mill Bay South Suite Afton, MN 55001</p> <p>PumpSupplyInc.com</p>	 
--	--



DIMENSIONAL DATA



DIMENSIONS

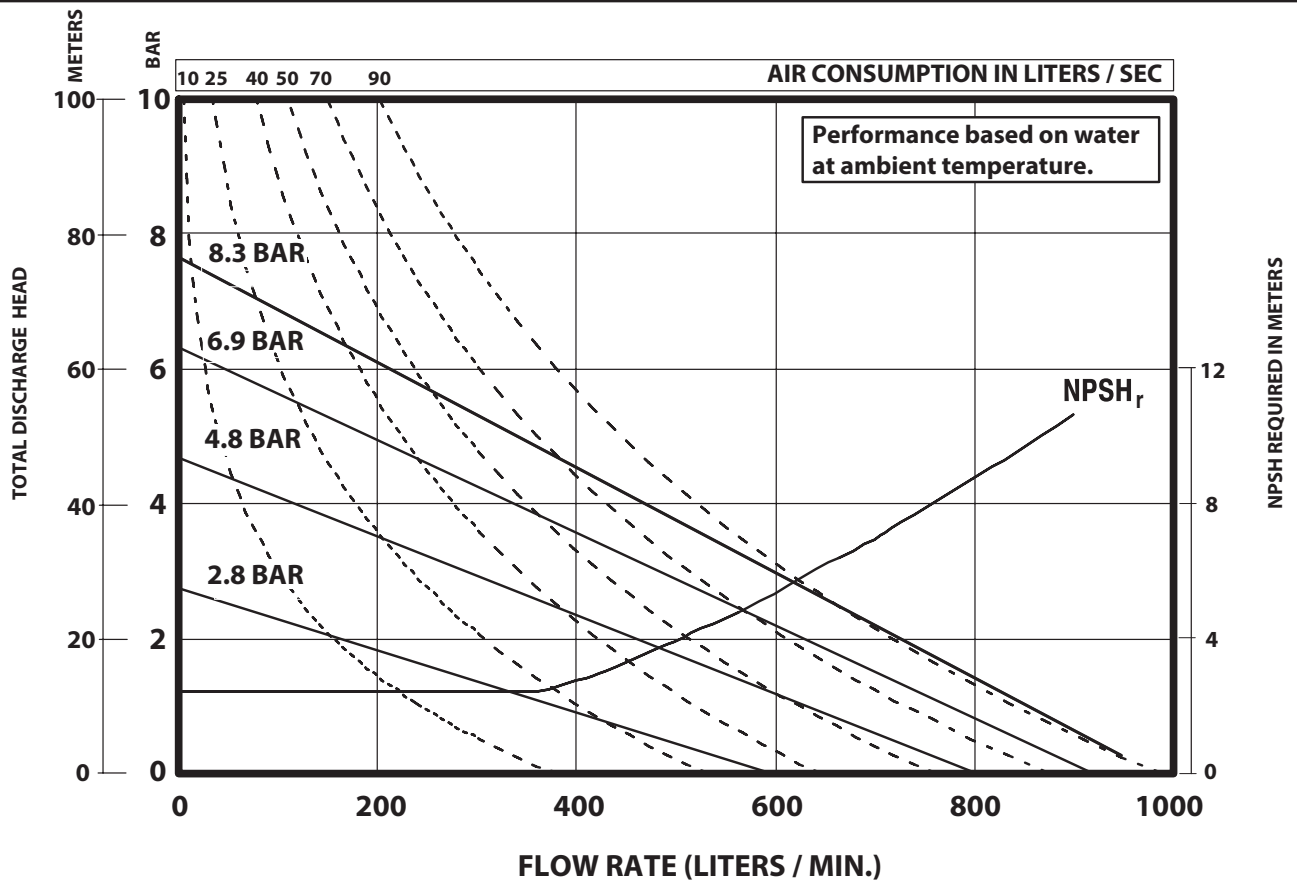
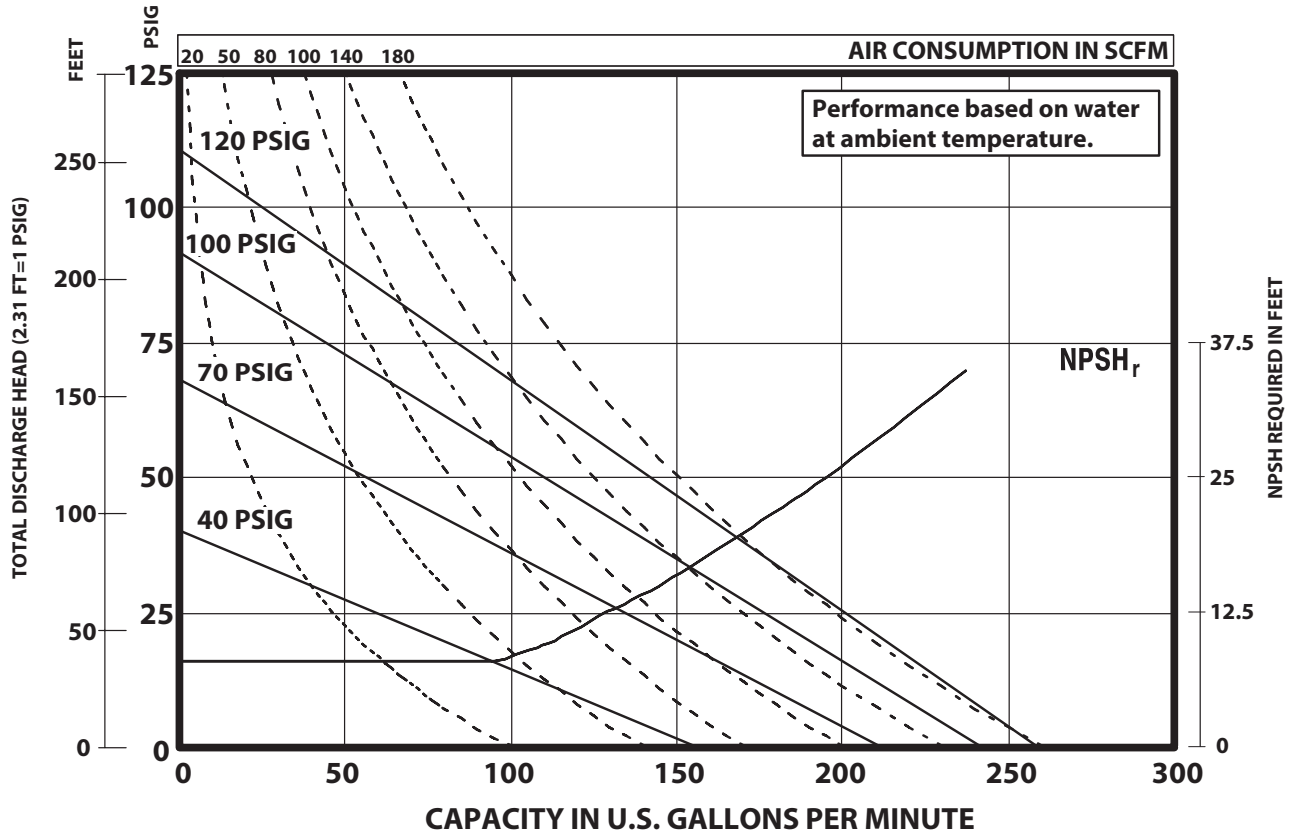
- A - see below
- B - 30" (762.0 mm)
- C - 12.06" (306.4 mm)
- D - see below
- E - 17.68" (449.2 mm)
- F - 15" (381.0 mm)
- G - see below
- H - 10.15" (258.0 mm)
- J - see below
- K - 0.56" (14.3 mm)
- L - see below
- M - 23.09" (586.3 mm)
- N - see below
- P - 1.18" (30.2 mm)

	"A"	"D"	"J"	"N"	"L"	"G"
PZ30X-XAX-XXX-CXX	23.62" (600.1 mm)	2.37" (60.3 mm)	11" (279.4 mm)	15.5" (393.7 mm)	2.75" (69.9 mm)	32" (812.8 mm)
PZ30X-XCX-XXX-CXX	23.62 (600.1 mm)	2.43" (61.9 mm)	11.68" (296.9 mm)	15.5" (393.7 mm)	2.75" (69.9 mm)	32" (812.8 mm)
PZ30X-XHX-XXX-CXX	23.12" (587.4 mm)	2.75" (69.9 mm)	11.68" (296.9 mm)	16" (406.4 mm)	2.75" (69.9 mm)	32" (812.8 mm)
PZ30X-XSX-XXX-CXX	23.12" (587.4 mm)	2.75" (69.9 mm)	11.68" (296.9 mm)	16" (406.4 mm)	2.75" (69.9 mm)	32" (812.8 mm)
PZ30X-DXX-XXX-CXX	23.12" (587.4 mm)	2.75" (69.9 mm)	11.68" (296.9 mm)	16" (406.4 mm)	3.75" (95.25 mm)	33.93" (862.0 mm)
PZ30X-FXX-XXX-CXX	23.12" (587.4 mm)	2.75" (69.9 mm)	11.68" (296.9 mm)	16" (406.4 mm)	3.75" (95.25 mm)	33.93" (862.0 mm)

NOTE: Dimensions are shown in inches and (mm), supplied for reference only and are typically rounded up to the nearest 1/16 inch.

PERFORMANCE CURVES

PD30A-XXX-XXX-CXXX , PD30S-XXX-XXX-CXXX, PZ30A-XXX-XXX-CXX AND PZ30S-XXX-XXX-CXX 3" METALLIC DIAPHRAGM PUMP



PERFORMANCE CURVES

PE30X-XXX-XXX-XXEX AND PE30X-XXX-XXX-XXFX 3" METALLIC DIAPHRAGM PUMP

