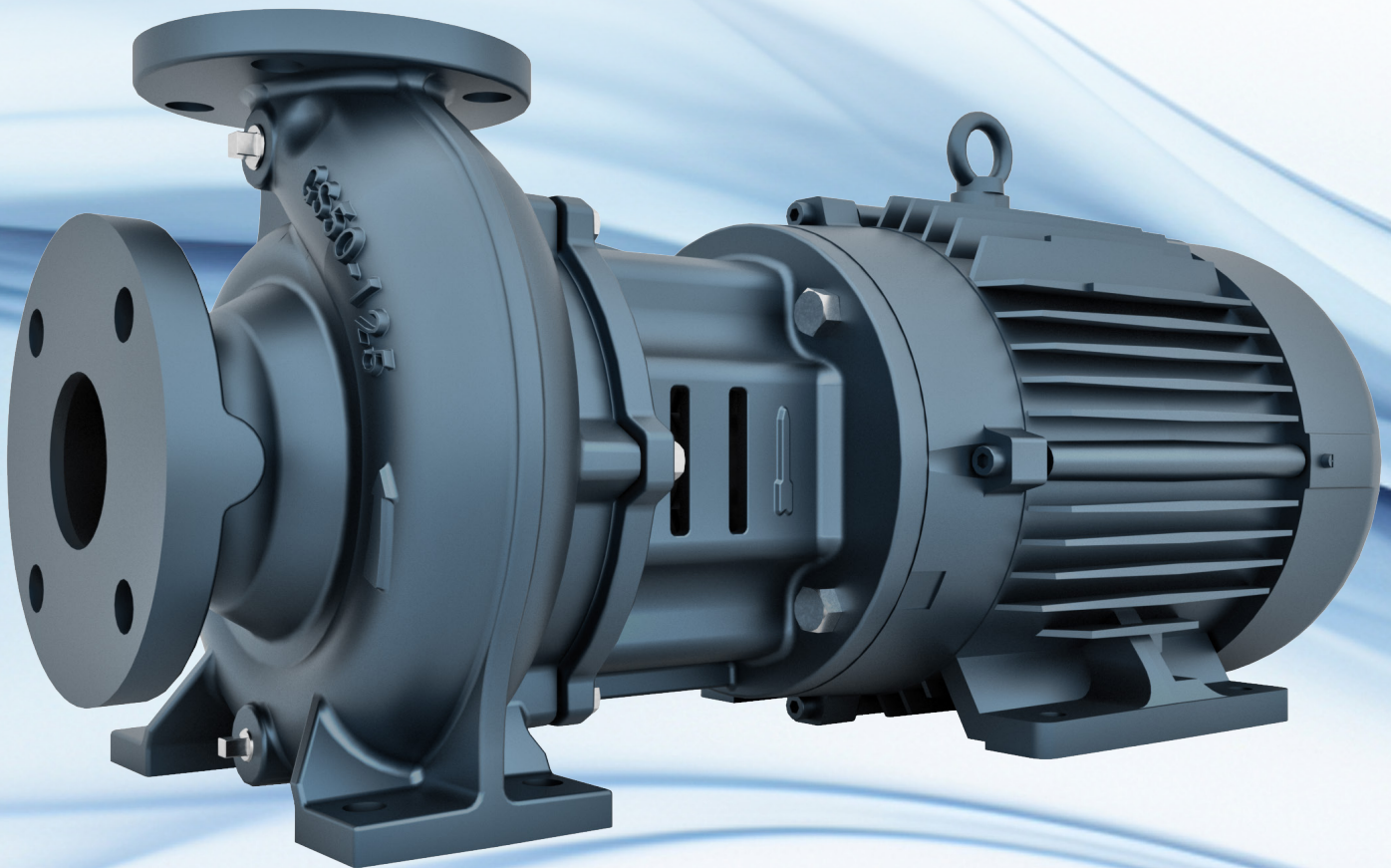


Model GSDU

End Suction Close Coupled Centrifugal Pump

CENTRIFUGAL PUMPS



Model GSDU

Features:

Energy-Saving Design

- World-class pump efficiency achieved.
- Stainless steel AISI 315 (CF8M) Impeller designed using proprietary inverse design technology.
- Higher efficiency means lower energy consumption and more compact size.
- DOE Compliant
- Certified NSF/ANSI/CAN 61 & 372 Annex G

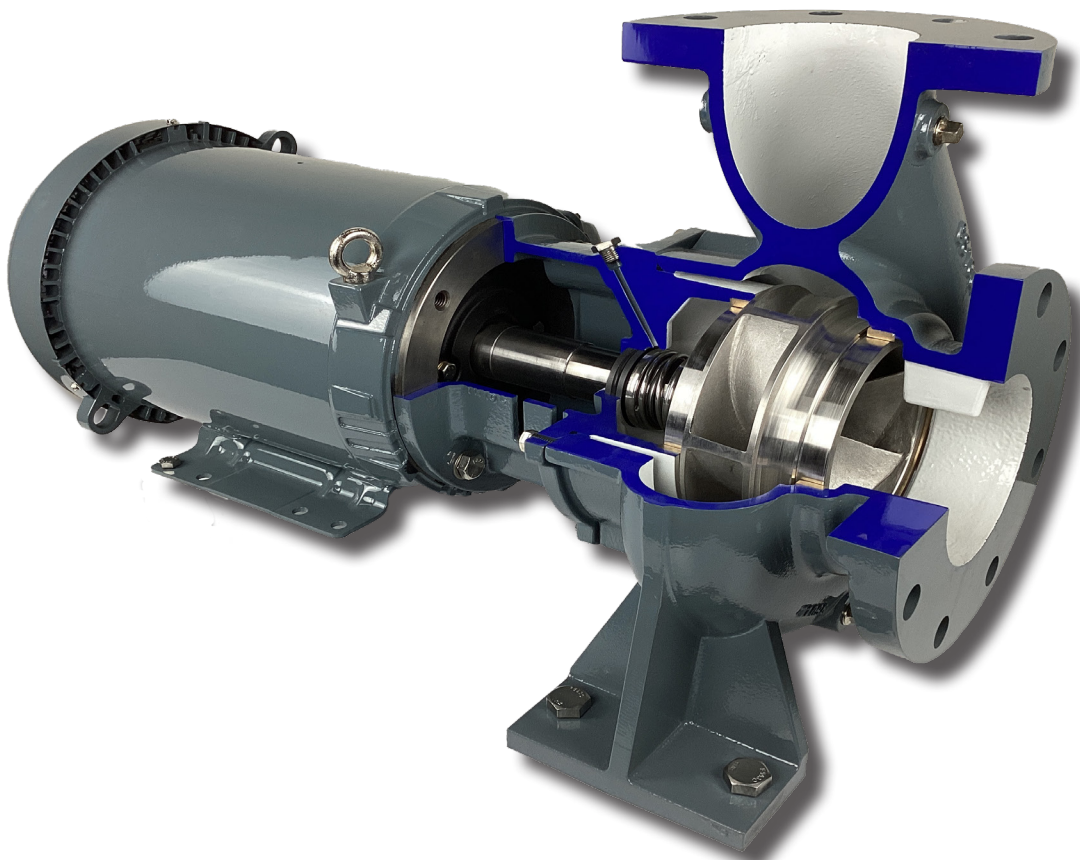


Certified to
NSF/ANSI/CAN 61
& 372

**Note: Model GSDU with standard seal is certified*

Easy Installation and Simple Maintenance

- Alignment is not required with close coupled design.
- Back pull-out design enables disassembly and inspection without removal of suction and discharge piping.
- Shaft seal flushing and quenching piping not required for standard applications.
- Air bleeding not required
- Simplified shaft seal and o-ring casing seals enable easy assembly.
- Dry shaft design prevents corrosion on motor shaft.



Model GSDU

General Description:

Pump

Capacities	To 2000 GPM (60Hz)
Discharge	1.25" to 6"
Heads	To 460 ft (60Hz)
Liquid Temperatures	14 °F to 250°F
Max. Working Pressure	Up to 200 psi (ANSI B16.1 125lb)
Materials	Casing: Cast iron (Epoxy coated A48 CL35)
	Shaft Sleeve: 316 SS
	Impeller: Stainless steel 316 (CF8M)
	Mechanical seal: Type 21 SiC/C/EPDM (Standard); SiC/SiC/EPDM (Optional); SiC/C/Viton (Optional); SiC/SiC/Viton (Optional)
	Wear ring: Bismuth no lead bronze CAC902
Pump Standards	ANSI B16.1 - 125lbs Flanges; EN733
Rotation	Clockwise viewed from coupling end

*Pump kits available

*Base packages available

Motor

	Standard*	
Frequency	60Hz	
Operational Speed	2-Pole	4-Pole
Phase	3-Phase	
Motor Power	1.5 to 50 hp	
Voltage	230/460V	
Enclosure	TEFC/ODP	
Standards	NEMA MG1 JM/JP Shaft	

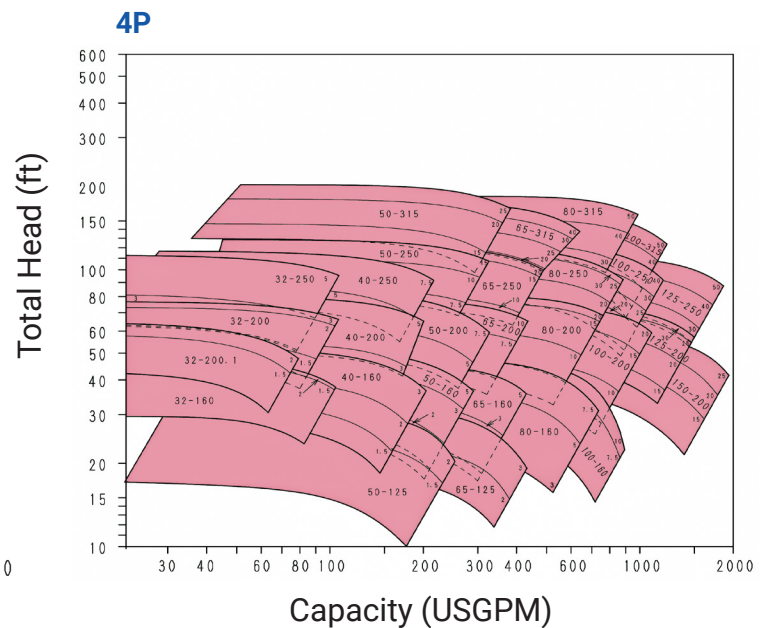
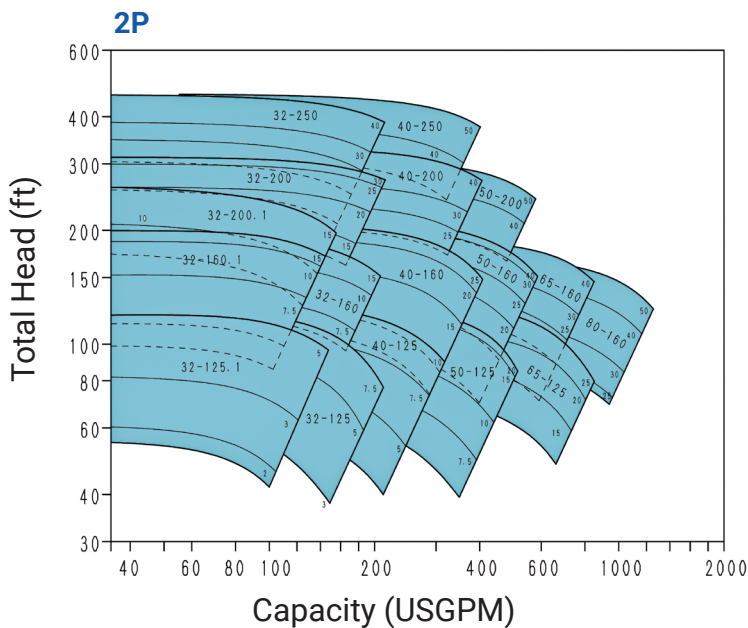
*Note: Options Available - Contact Factory



Certified to NSF/ANSI CAN 61 & 372

*Note: Model GSDU with standard seal is certified

SELECTION CHART





Applications:

- **Building-** Chiller, HVAC, Domestic Booster, Data Center
- **Water Supply-** Center Pivot Irrigation, Potable Water (Municipal, Commercial, & Small Rural)
- **Industrial-** Industrial Process Cooling, Oil & Gas Produced Water

Your Local EBARA representative:



EBARA PUMPS AMERICAS CORPORATION

Building Service & Industrial Company
1651 Cedar Line Drive
Rock Hill SC 29730
Tel 803-327-5005
www.pumpsebara.com