

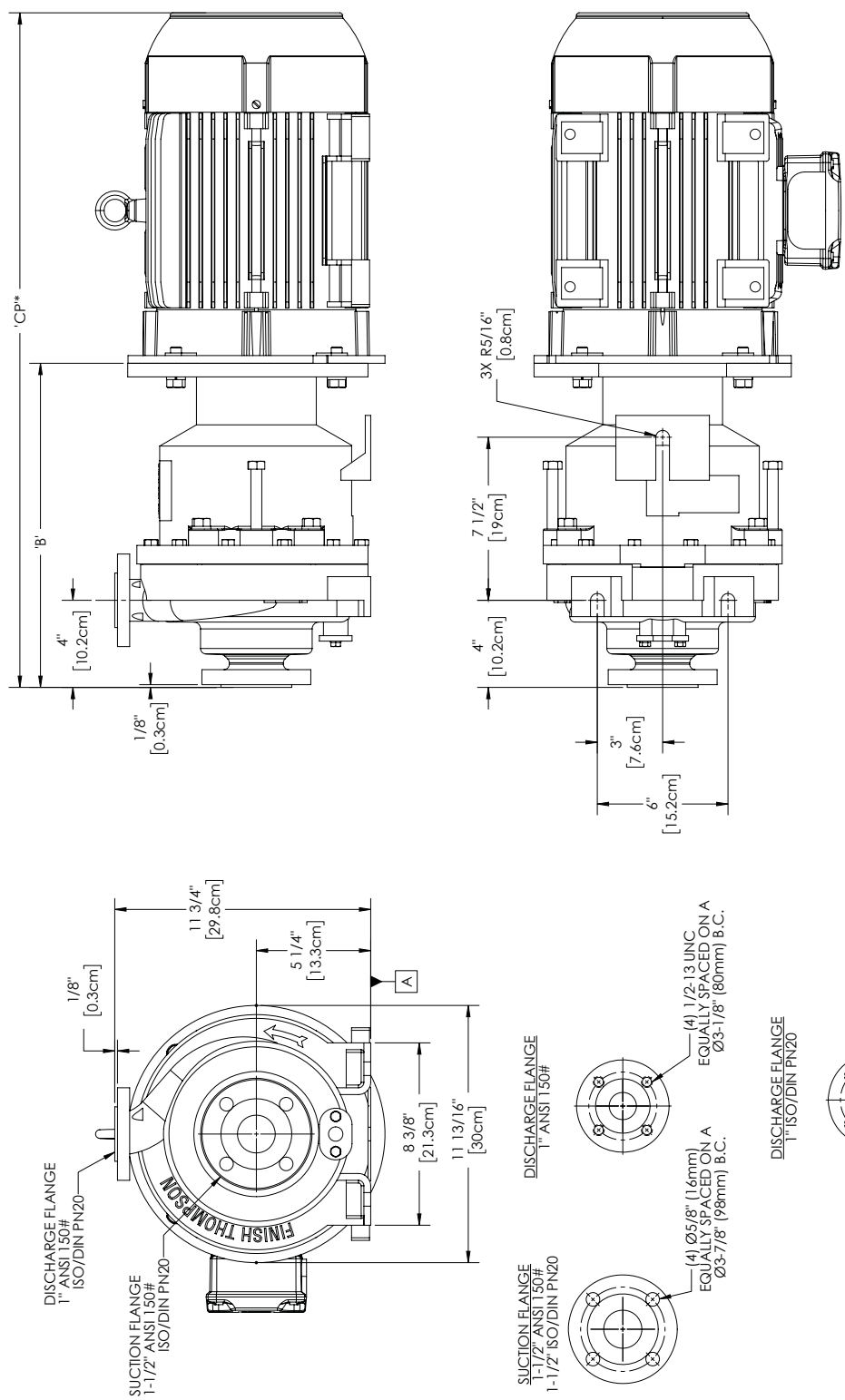
ULTRACHEM[®] SERIES DIMENSIONAL DRAWINGS



FINISH THOMPSON INC.

REVISIONS			
REV	DESCRIPTION	DATE	APPRD TRACK

- NOTES:
 1. DIMENSIONS ARE TO BE USED FOR REFERENCE USE ONLY
 2. *CP DIMENSION MAY VARY DEPENDING ON MOTOR MANUFACTURER
 3. DATUM "A" REFERS TO PUMP FOOT
 4. ANSI 150# AND ISO/DIN PN20 FLANGES ARE IN COMPLIANCE WITH BOLTING DIMENSIONS ONLY



UNLESS OTHERWISE SPECIFIED		DISTRIBUTION BLOCK	
TO DIMENSIONS IN INCHES	TO DIMENSIONS IN MILLIMETERS	DEPT	DEPT
XXX 4 000	XXX 100	PUMP ASSM	INTI MOLD
FRAC. 1 102	FRAC. 1 102	STILL ASSM	PURCH
FINISH 125	FINISH 125	WELD SHOP	SALES
SIGNATURES	DATE	MACH SHOP	ADV
DRAWN TDS	5/29/16		
ENGR.			
DO NOT SCALE DRAWING	DO NOT MANUALLY UPDATE		

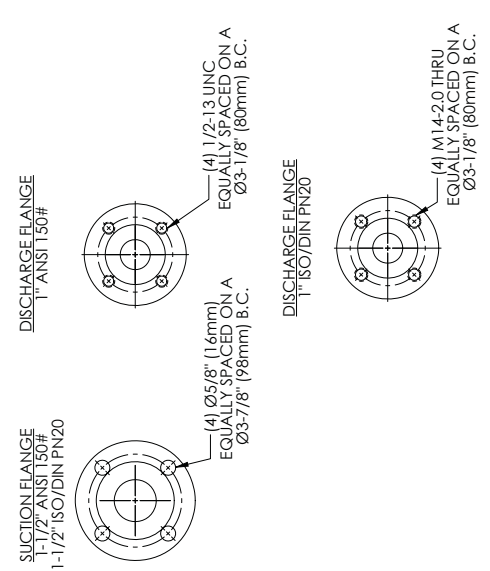
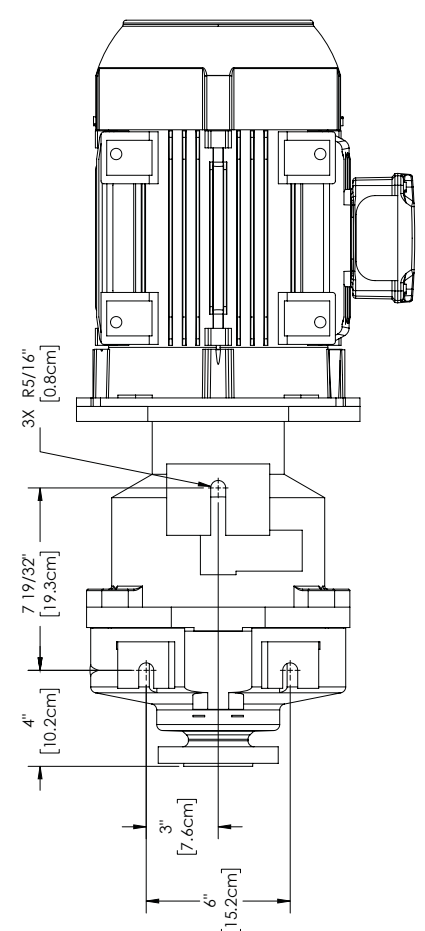
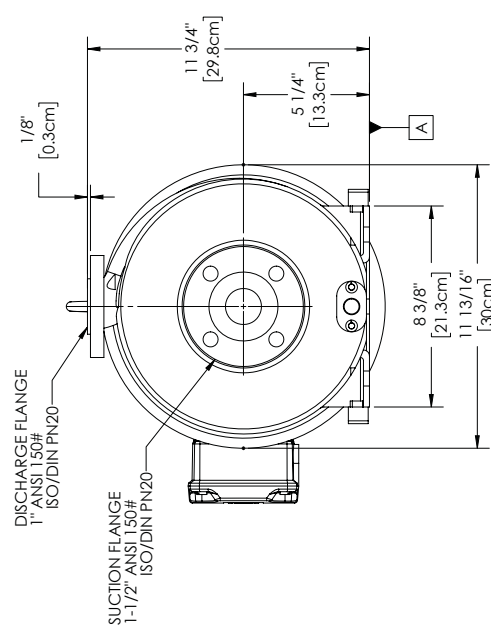
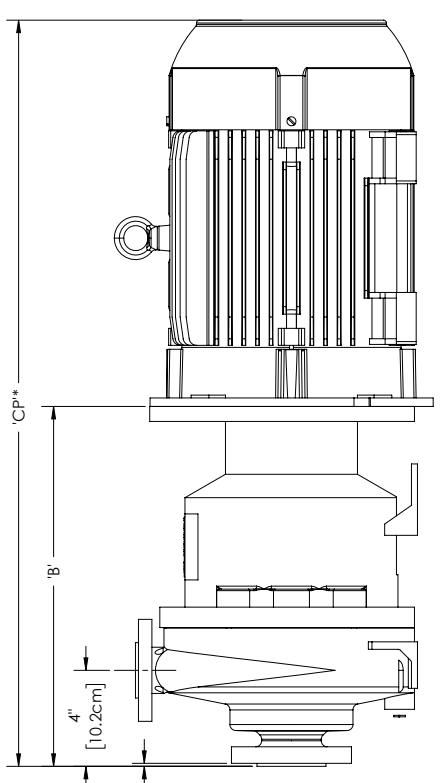
PRODUCT		TITLE	
101 BERNARDUS DRIVE BERKE PENNSYLVANIA 1981	UC1516/UC1516L	OUTLINE DIM - IEC MOTORS	
		PART NUMBER	R101965
		SCALE	DNS
		SHEET	1 OF 1
		CHECKED	

MODEL	MOTOR FRAME	B	CP**
UC1516 (L)	IEC 160 B5	15 1/2" (39.3cm)	36-7/16" (92.6cm)
UC1516 (L)	IEC 132 B5	14 7/8" (37.8cm)	30-31/32" (78.7cm)
UC1516 (L)	IEC 100/112 B14	12-1/2" (31.7cm)	25-5/8" (65.1cm)
UC1516 (L)	IEC 90 B14	23-1/2" (59.7cm)	23-1/2" (59.7cm)

DISCHARGE FLANGE
1" ANSI 150#
 (4) Ø5/8" (16mm)
EQUALLY SPACED ON A
Ø3-7/8" (98mm) B.C.

DISCHARGE FLANGE
1" ISO/DIN PN20
 (4) M14-2.0 THRU
EQUALLY SPACED ON A
Ø3-1/8" (80mm) B.C.

REVISIONS			
REV	DESCRIPTION	DATE	APPRD



- NOTES:
 1. DIMENSIONS ARE TO BE USED FOR REFERENCE USE ONLY.
 2. ALL DIMENSIONS ARE IN INCHES UNLESS OTHERWISE SPECIFIED.
 3. ALL DIMENSIONS REFER TO CENTER UNLESS OTHERWISE SPECIFIED.
 4. ALL DIMENSIONS REFER TO CENTER UNLESS OTHERWISE SPECIFIED.
 5. ANSI 150# AND ISO/DIN PN20 FLANGES ARE IN COMPLIANCE WITH BOLTING DIMENSIONS ONLY.

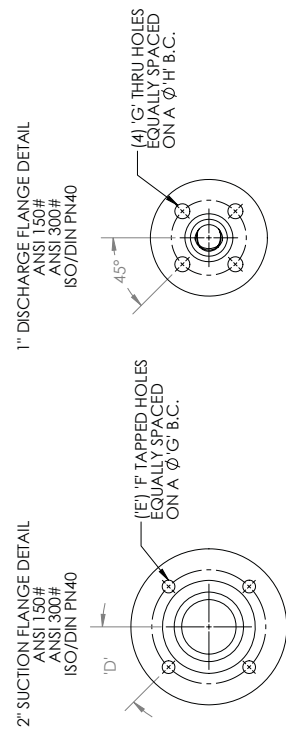
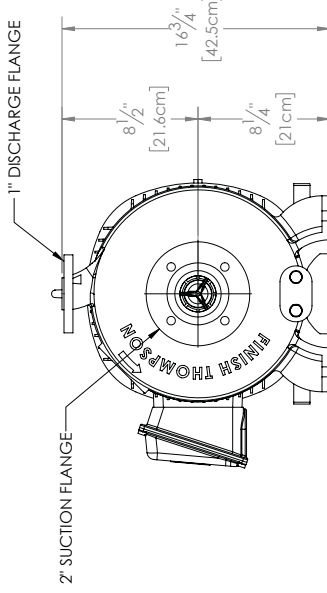
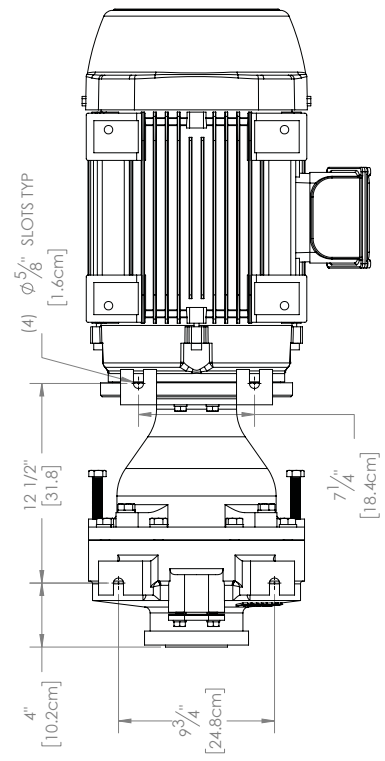
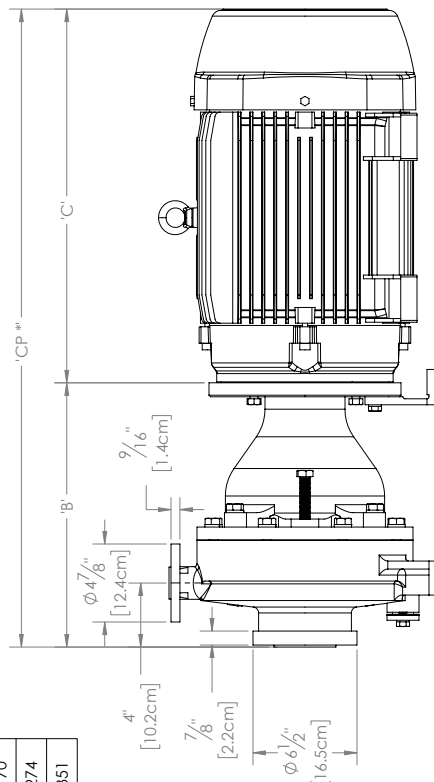
UNLESS OTHERWISE SPECIFIED		DISTRIBUTION BLOCK	
TOLERANCES ARE:	DEPT	RECD	DEPT
XXX ± .006	PUMP ASSM	INI MOLD	
FRAG ± .002	STILL ASSM	PURCH	
FINISH .125	WELD SHOP	SALES	X
	MACH SHOP	ADV	
SIGNATURES	DATE	THIRD ANGLE PROJECTION	
DRAWN TDS	5/29/16		
ENGR:			
DO NOT SCALE DRAWING			
DO NOT MANUALLY UPDATE			

1045 PENNSYLVANIA BLVD HAZLETON, PA 17830 PHONE: 814.945.4798 FAX: 814.945.6151		UC1518/UC1518L OUTLINE DIM - IEC MOTORS
REV. 0	PART NUMBER R101966	CHECKED
SCALE DNS	SHEET 1 OF 1	

MODEL	MOTOR FRAME	'B'	'Cp*'
UC1518 (L)	IEC 160 B5	15-19/32" (39.6cm)	36-9/16" (92.8cm)
UC1518 (L)	IEC 132 B5	15" (38.1cm)	31-3/32" (79cm)
UC1518 (L)	IEC 100/112 B14	12-19/32" (32cm)	25-3/4" (65.4cm)
UC1518 (L)	IEC 90 B14	23-19/32" (59.9cm)	23-19/32" (59.9cm)

REVISIONS			
REV	DESCRIPTION	DATE	APPRD
1	ADDED SUCTION AND DISCHARGE FLANGE DIMENSIONS	3-21-19	JB

Motor Frame	B		C*		CP*		PUMP WT**		MOTOR WT*	
	inches	cm	inches	cm	inches	cm	lbs	kg	lbs	kg
NEMA 145TC	16-15/32"	41.8	11-7/32"	28.5	27-11/16"	70.3	35	16		
NEMA 182/4TC	16-15/32"	41.8	13-1/16"	33.2	29-9/16"	75.1	91	41		
NEMA 213/5TC	16-15/32"	41.8	16-5/32"	41	32-5/8"	82.9	160	73		
NEMA 254/6TC	16-15/32"	41.8	21-1/32"	53.4	37-1/2"	95.3	257	117		
NEMA 284/6TSC/TC	16-15/32"	41.8	23-3/8"	59.4	39-27/32"	101.2	375	170		
NEMA 324/6TSC/TC	18-25/32"	47.7	25-7/8"	65.7	44-21/32"	113.4	604	274		
NEMA 364/5TSC/TC	18-25/32"	47.7	28-3/32"	71.4	46-27/32"	119.0	773	351		



SUCTION & DISCHARGE FLANGE BOLTING DETAILS									
	D'	E'	F'	G'	F'	G'	H'		
	deg	inches	cm	inches	cm	inches	cm		
150# Flange	45	4	5/8-11	4-3/4"	12.1	4	5/8	3-1/8"	7.9
300# Flange	22.5	8	5/8-11	5"	12.7	8	3/4	3-1/2"	8.9
ISO/DIN PN 40 Flange	45	4	M16-2.0	4.92"	12.5	8	14mm	3.35"	8.5

NOTE:
 1. ALL DIMENSIONS AND WEIGHTS ARE TO BE USED FOR REFERENCE ONLY
 2. ANSI 150#, 300#, AND ISO/DIN PN40 FLANGES ARE IN COMPLIANCE WITH BOLTING DIMENSIONS ONLY
 *. MAY VARY DUE TO MOTOR MANUFACTURER AND STYLE OF MOTOR CHOSEN

UNLESS OTHERWISE SPECIFIED:
 DIMENSIONS ARE IN INCHES
 XXX 4 000
 FINISH: 102
 FINISH: 125

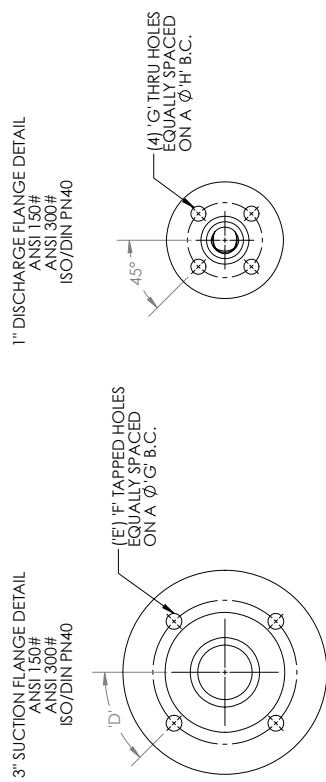
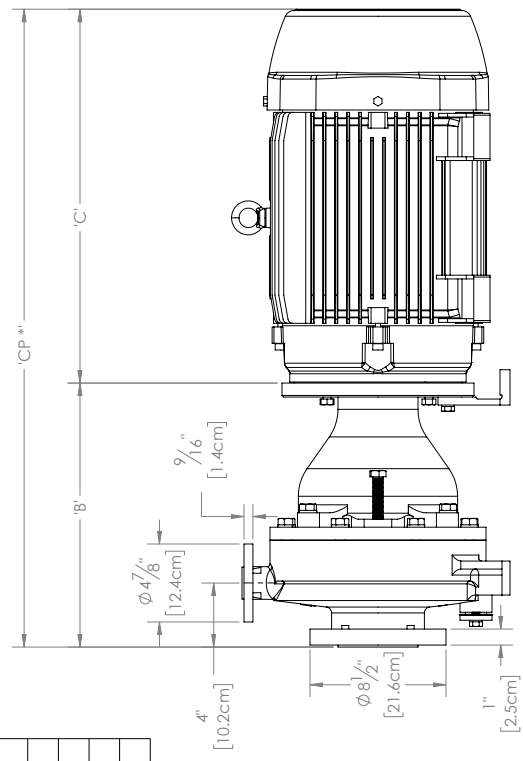
DISTRICTION BLOCK
 DEPT RECD RECD RECD
 PUMP ASSM INI MOLD
 STILL ASSM PURCH
 WELD SHOP SALES X
 MACH SHOP ADV
 SIGNATURES DATE 4-28-16
 DRAWN: C.M.B
 ENGR: DO NOT SCALE DRAWING
 CAD GENERATED DRAWING
 DO NOT MANUALLY UPDATE

SCALE: DNS SHEET: 1 OF 1 CHECKED: 1

FTI
 FLOTTING TECHNOLOGIES
 1000 PENNSYLVANIA 1081
 PRODUCT: UC2110
 NEMA OUTLINE DIMENSIONAL DWG
 PART NUMBER: R101942
 REV: 1

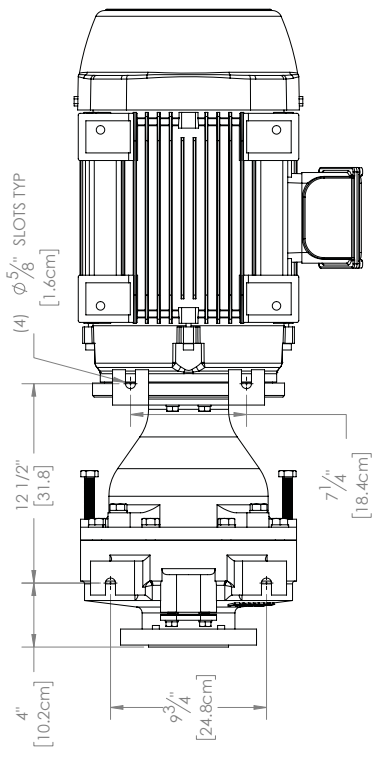
REVISIONS			
REV	DESCRIPTION	DATE	APPRD
1	ADDED SUCTION AND DISCHARGE FLANGE DIMENSIONS	3-22-19	JB

Motor Frame	B		C*		CP*		PUMP WT**		MOTOR WT*	
	inches	cm	inches	cm	inches	cm	lbs	kg	lbs	kg
NEMA 145TC	16-15/32"	41.8	11-7/32"	28.5	27-11/16"	70.3	35	16	35	16
NEMA 182/4TC	16-15/32"	41.8	13-1/16"	33.2	29-9/16"	75.1	91	41	91	41
NEMA 213/5TC	16-15/32"	41.8	16-5/32"	41	32-5/8"	82.9	215	73	160	73
NEMA 254/6TC	16-15/32"	41.8	21-1/32"	53.4	37-1/2"	95.3	257	117	257	117
NEMA 284/6TSC/TC	16-15/32"	41.8	23-3/8"	59.4	39-27/32"	101.2	375	170	375	170
NEMA 324/6TSC/TC	18-25/32"	47.7	25-7/8"	65.7	44-21/32"	113.4	604	274	604	274
NEMA 364/5TSC/TC	18-25/32"	47.7	28-3/32"	71.4	46-27/32"	119.0	773	351	773	351



SUCTION & DISCHARGE FLANGE BOLTING DETAILS									
	D'	E'	F'	G'	F'	G'	H'		
	deg	inches	cm	inches	cm	inches	cm	inches	cm
150# Flange	45	4	5/8-11	6	15.2	4	5/8	3-1/8"	7.9
300# Flange	22.5	8	3/4-10	6-5/8	16.8	8	3/4	3-1/2"	8.9
ISO/DIN PN 40 Flange	22.5	4	M16-2.0	6.3	16.0	8	14mm	3.35"	8.5

NOTE:
 1. ALL DIMENSIONS AND WEIGHTS ARE TO BE USED FOR REFERENCE ONLY
 2. ANSI 150#, 300#, AND ISO/DIN PN40 FLANGES ARE IN COMPLIANCE WITH BOLTING DIMENSIONS ONLY
 *. MAY VARY DUE TO MOTOR MANUFACTURER AND STYLE OF MOTOR CHOSEN



UNLESS OTHERWISE SPECIFIED
 TOLERANCES ARE:
 XXX ± .006 INCHES
 XXX ± .002 INCHES
 XXX ± .001 INCHES
 FINISH 125

DRAWN: C.M.B. DATE: 4-28-16
 ENGR: DO NOT SCALE DRAWING
 DO NOT MANUALLY UPDATE

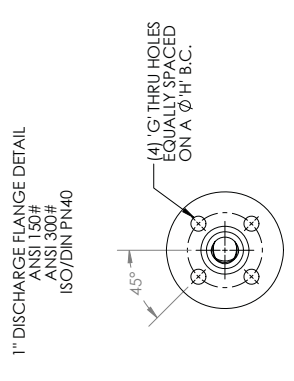
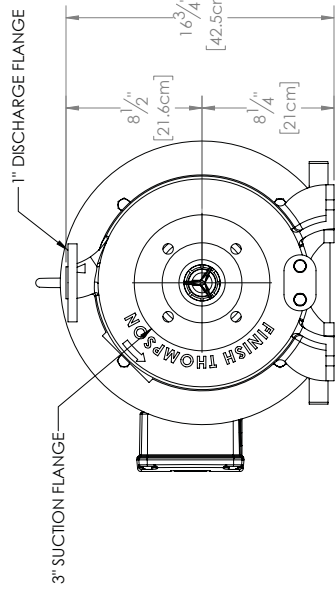
DISTRIBUTION BLOCK
 DEPT RECD RECD RECD
 PUMP ASSM INI MOLD
 STILL ASSM PURCH X
 WELD SHOP SALES X
 MACH SHOP ADV
 SIZE PART NUMBER
 THIRD ANGLE PROJECTION
 CAD GENERATED DRAWING
 DO NOT MANUALLY UPDATE

SCALE: DNS SHEET: 1 OF 1 CHECKED: 1

FTI
 FINE THERMAL
 INCORPORATED
 1000 PENNSYLVANIA 1081
 PHOENIX, AZ 85016
 PHONE: (602) 944-4778
 FAX: (602) 944-5515

UC3110
 NEMA OUTLINE DIMENSIONAL DWG
 R101943

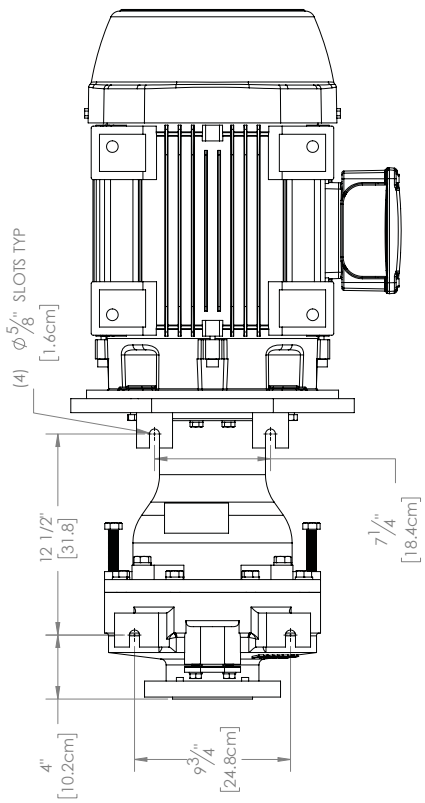
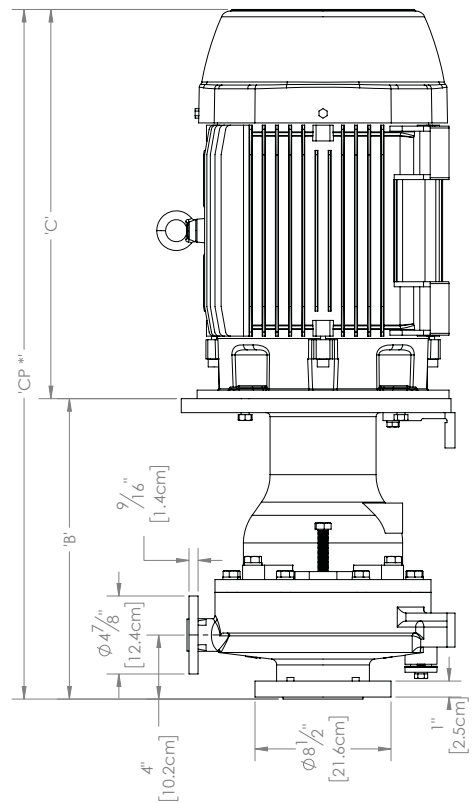
Motor Frame	B		C*		CP*		PUMP WT		MOTOR WT*	
	inches	cm	inches	cm	inches	cm	lbs	kg	lbs	kg
IEC 90 B5	16-15/32"	41.8	11"	27.9	27-15/32"	69.8	215	97.5	39	17.7
IEC 100/112 B5	16-15/32"	41.8	12-7/16"	31.6	28-29/32"	73.4	245	111.1	104	47.2
IEC 132 B5	16-15/32"	41.8	16-3/32"	40.9	32-9/16"	82.7	245	111.1	174	78.9
IEC 160 B5	18-25/32"	47.7	19-1/2"	49.5	38-9/32"	97.2	245	111.1	319	144.7
IEC 180 B5	18-25/32"	47.7	21-25/32"	54.8	40-9/16"	103	245	111.1	380	172.4
IEC 200 B5	18-25/32"	47.7	24-5/16"	61.8	43-3/32"	109.5	245	111.1	531	240.9
IEC 225 B5	18-25/32"	47.7	27-29/32"	70.9	46-21/32"	118.5	245	111.1	630	285.8



SUCTION & DISCHARGE FLANGE BOLTING DETAILS									
	'D'	'E'	'F'	'G'	'F'	'G'	'H'		
	deg	inches	inches	inches	cm	cm	inches	inches	cm
150# Flange	45	4	5/8-11	6	15.2	4	5/8	3-1/8"	7.9
300# Flange	22.5	8	3/4-10	6-5/8	16.8	8	3/4	3-1/2"	8.9
ISO/DIN PN 40 Flange	22.5	4	M16-2.0	6.3	16.0	8	14mm	3.35"	8.5

NOTE:
 1. ALL DIMENSIONS AND WEIGHTS ARE TO BE USED FOR REFERENCE ONLY
 2. ANSI 150#, 300#, AND ISO/DIN PN40 FLANGES ARE IN COMPLIANCE WITH BOLTING DIMENSIONS ONLY
 *. MAY VARY DUE TO MOTOR MANUFACTURER AND STYLE OF MOTOR CHOSEN

REVISIONS			
REV	DESCRIPTION	DATE	APPRD
1	ADDED SUCTION AND DISCHARGE FLANGE DIMENSIONS	3-22-19	JB



FTI
 FLOW TECHNOLOGIES INTERNATIONAL
 1000 PENNSYLVANIA 1081
 PHOENIX, ARIZONA 85016
 PHONE: (602) 955-8778
 FAX: (602) 955-8515

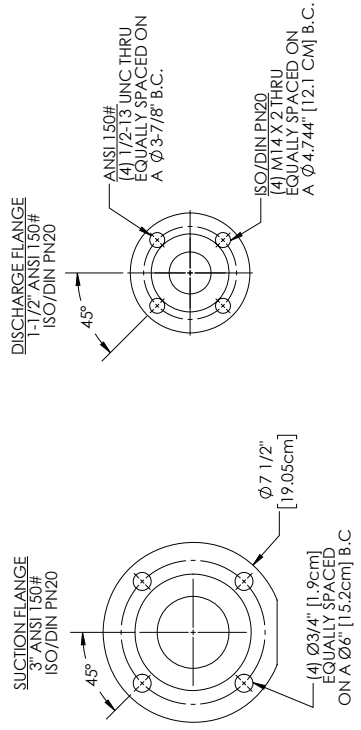
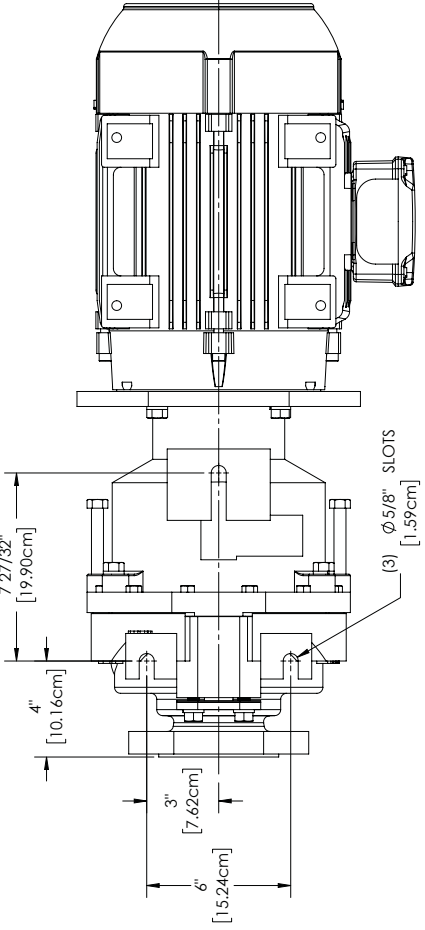
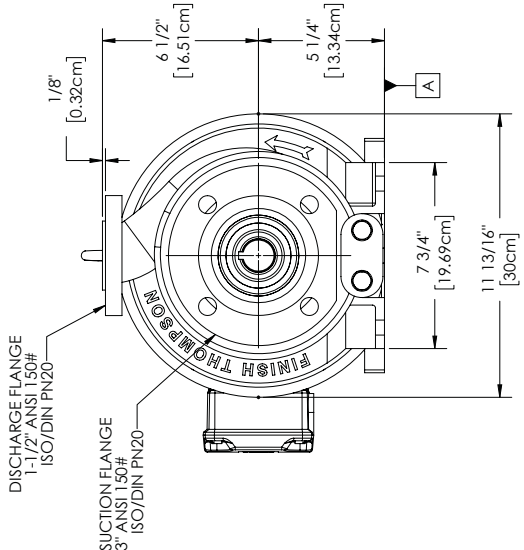
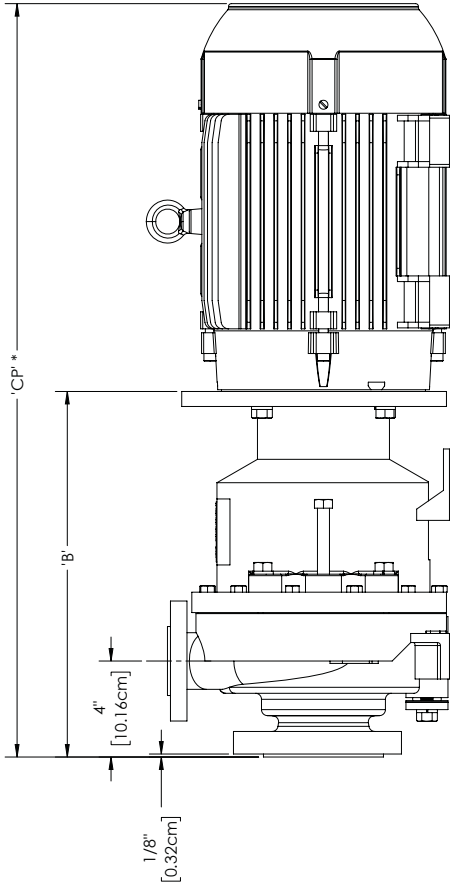
DISTRIBUTION BLOCK
 DEPT RECD DEPT RECD DEPT RECD
 PUMP ASSM INI MOLD
 STILL ASSM PURCH
 WELD SHOP SALES X
 MACH SHOP ADV
 SIZE PART NUMBER
 THIRD ANGLE PROJECTION
 DRAWN: C.M.B 4-27-16
 ENGR: DO NOT SCALE DRAWING
 DO NOT MANUALLY UPDATE

UC3110
 IEC OUTLINE DIMENSIONAL DWG
 R101945
 SHEET 1 OF 1
 SCALE: DNS
 CHECKED: 0

REVISONS

REV	DESCRIPTION	DATE	APPRD	TRACK

- NOTES:
 DIMENSIONS ARE TO BE USED FOR REFERENCE USE ONLY
 1. *CP DIMENSION MAY VARY DEPENDING ON MOTOR MANUFACTURER
 2. DATUM "A" REFERS TO PUMP FOOT
 3. ANSI 150# AND ISO/DIN PN20 FLANGES ARE IN COMPLIANCE WITH
 4. BOLTING DIMENSIONS ONLY



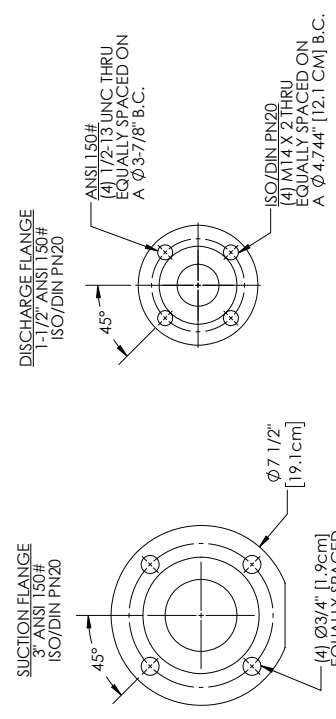
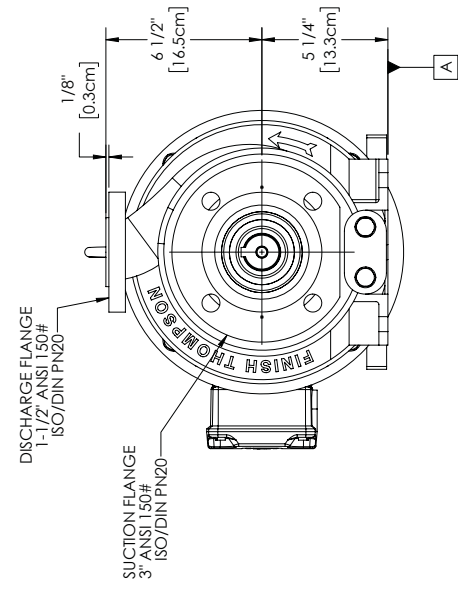
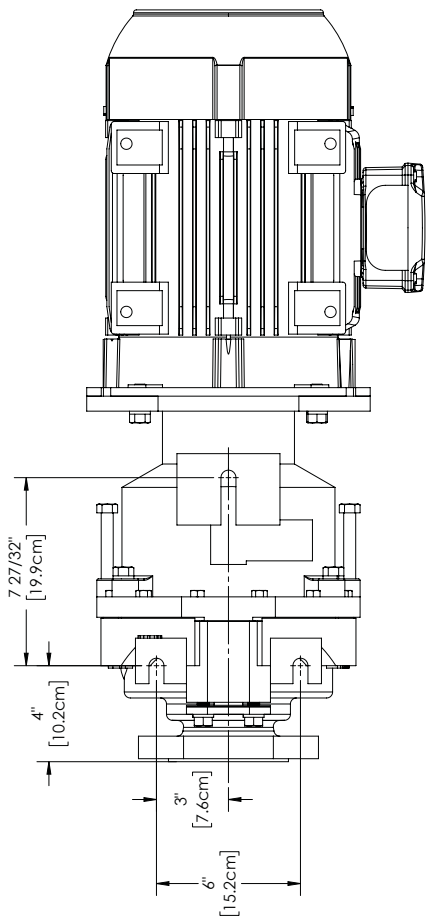
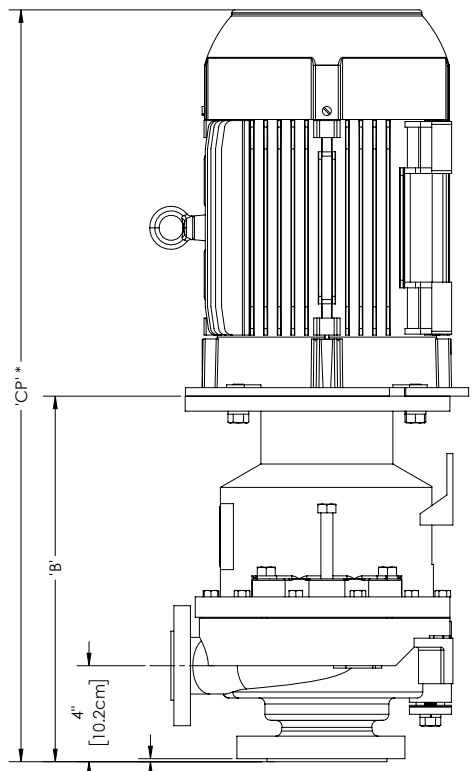
UNLESS OTHERWISE SPECIFIED		DISTRIBUTION BLOCK	
TOLERANCES ARE:	INCHES	DEPT	REC'D
XXX ± .006		PUMP ASSM	
XXX ± .002		STILL ASSM	
FRAG. ± .002		WELD SHOP	X
FINISH ± .001		MACH SHOP	
SIGNATURES	DATE	ADV	SALES
DRAWN: C.M.B	2/2/17		
ENGR:		THIRD ANGLE PROJECTION	
DO NOT SCALE DRAWING		CAD GENERATED DRAWING. DO NOT MANUALLY UPDATE	

UC3156	NEMA 254/6TC	34-9/32" (87.1cm)	'CP'*
UC3156	NEMA 213/5TC	15-7/32" (38.6cm)	'B'
UC3156	NEMA 184/4TC	28-3/32" (71.3cm)	
UC3156	NEMA 145 TC	12-17/32" (31.8cm)	
MODEL	MOTOR FRAME	23-17/32" (59.8cm)	

UC3156
OUTLINE DIM - NEMA MOTORS
 PART NUMBER: **R102025**
 SCALE: **DNS** SHEET: **1 OF 1** CHECKED:

REVISIONS			
REV	DESCRIPTION	DATE	APPRD

NOTES:
 1. DIMENSIONS ARE TO BE USED FOR REFERENCE USE ONLY
 2. 'CP' DIMENSION MAY VARY DEPENDING ON MOTOR MANUFACTURER
 3. 'DATA' REFERS TO PUMP FOOT
 4. ANSI 150# AND ISO/DIN PN20 FLANGES ARE IN COMPLIANCE WITH BOLTING DIMENSIONS ONLY



UNLESS OTHERWISE SPECIFIED		DISTRIBUTION BLOCK	
FINISH: 125	ISO/DIN PN20	DEPT	REC'D
XXX 4 000	3000	PUMP ASSM	INI MOLD
FRAC. 1 102	102	STILL ASSM	PURCH
FINISH 125	125	WELD SHOP	SALES
SIGNATURES	DATE	MACH SHOP	ADV
DRAWN C M B	2/2/17		
ENGR:			
DO NOT SCALE DRAWING		DO NOT MANUALLY UPDATE	

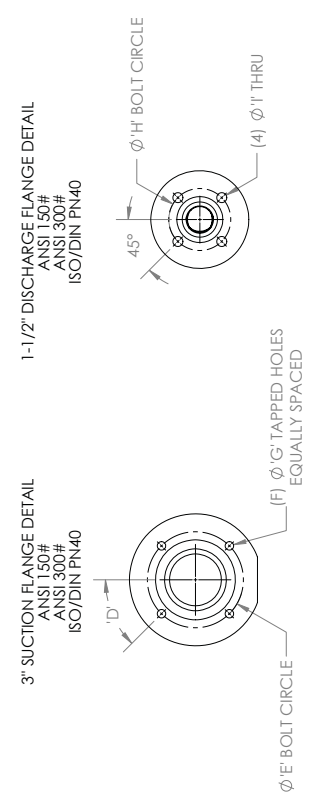
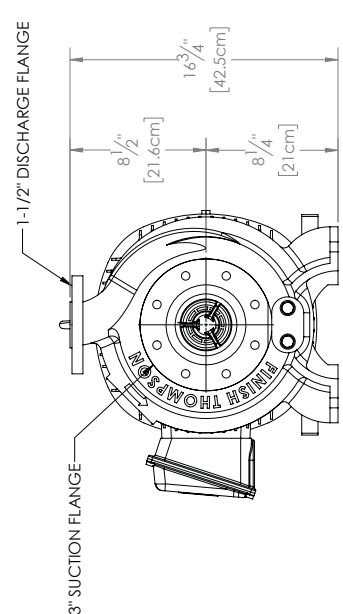
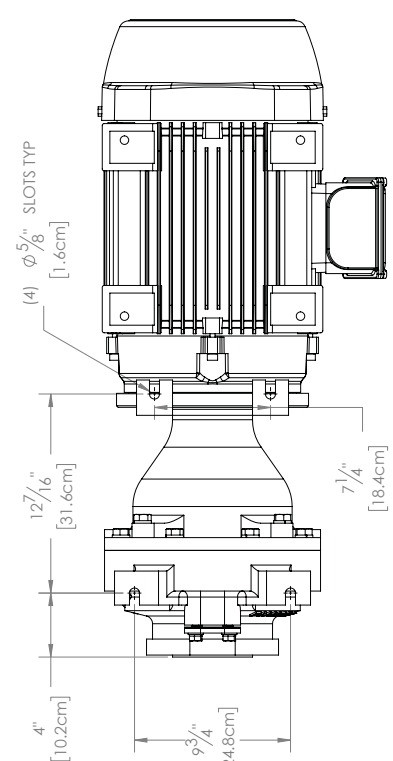
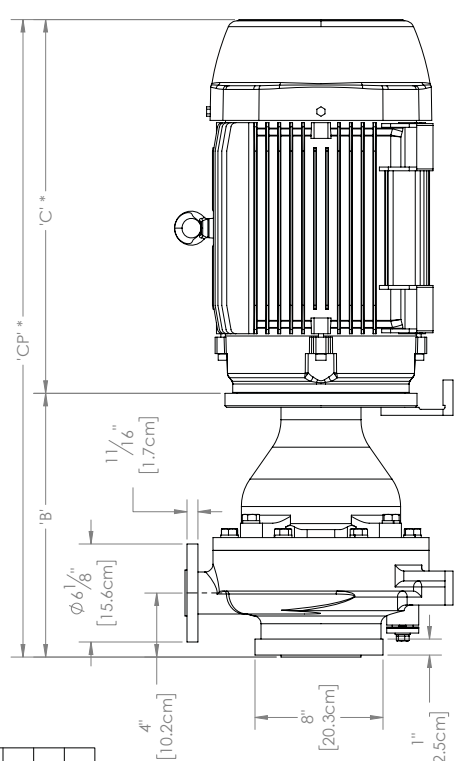
UC3156	IEC 160 B5	15-13/16" (40.2cm)	36-25/32" (93.4cm)
UC3156	IEC 132 B5	15-7/32" (38.6cm)	31-5/16" (79.5cm)
UC3156	IEC 100/112 B14	12-13/16" (32.5cm)	25-31/32 (66.0cm)
UC3156	IEC 90 B14	12-13/16" (32.5cm)	23-13/16 (60.5cm)
MODEL	MOTOR FRAME	'B'	'CP'

FTI
 1801 BERRY AVE.
 BERKE, PENNSYLVANIA 1981
 PHONE: (610) 565-4798
 FAX: (610) 465-8551

UC3156
OUTLINE DIM - IEC MOTORS
 PART NUMBER: **R102026**
 SCALE: **DNS** SHEET: **1 OF 1** CHECKED: **0**

REVISIONS			
REV	DESCRIPTION	DATE	APPRD
1	CORRECTED DIM 'I' IN CHART	3-21-14	CMB
2	ADDED SUCTION AND DISCHARGE FLANGE DIMENSIONS	3-21-19	JB

Motor Frame	B		C*		CP*		PUMP WT**		MOTOR WT*	
	inches	cm	inches	cm	inches	cm	lbs	kg	lbs	kg
NEMA 145TC	16-15/32"	41.8	11-7/32"	28.5	27-11/16"	70.3	215	97.5	35	16
NEMA 182/4TC	16-15/32"	41.8	13-1/16"	33.2	29-9/16"	75.1			91	41
NEMA 213/5TC	16-15/32"	41.8	16-5/32"	41	32-5/8"	82.9			160	73
NEMA 254/6TC	16-15/32"	41.8	21-1/32"	53.4	37-1/2"	95.3			257	117
NEMA 284/6TSC/7C	16-15/32"	41.8	23-3/8"	59.4	39-27/32"	101.2			375	170
NEMA 324/6TSC/7C	18-25/32"	47.7	25-7/8"	65.7	44-21/32"	113.4	245	111.1	604	274
NEMA 364/5TSC/7C	18-25/32"	47.7	28-3/32"	71.4	46-27/32"	119.0			773	351



SUCTION & DISCHARGE FLANGE BOLTING DETAILS									
	D'	E'	F'	G'	H'				
	deg	inches	cm	inches	cm	inches	cm	inches	cm
150# Flange	45	6"	15.2	4	5/8-11 UNC	3-7/8"	9.5	3/4"	1.9
300# Flange	22.5	6-5/8"	16.8	8	3/4-10 UNC	4-1/2"	11.4	7/8"	2.2
ISO/DIN PN 40 Flange	22.5	6.30"	16.0	8	M16-2.0	4-11/32"	11.0	27/32"	2.2

NOTE:
 1. ALL DIMENSIONS AND WEIGHTS ARE TO BE USED FOR REFERENCE ONLY
 2. ANSI 150#, 300#, AND ISO/DIN PN40 FLANGES ARE IN COMPLIANCE WITH BOLTING DIMENSIONS ONLY
 *. MAY VARY DUE TO MOTOR MANUFACTURER AND STYLE OF MOTOR CHOSEN

UNLESS OTHERWISE SPECIFIED
 DIMENSIONS ARE IN INCHES
 TOLERANCES ARE:
 XXX .000
 XXX .001
 XXX .002
 XXX .003
 XXX .004
 XXX .005
 XXX .006
 XXX .007
 XXX .008
 XXX .009
 XXX .010

DISTRIBUTION BLOCK
 DEPT RECD RECD RECD RECD
 PUMP ASSM INJ MOLD
 STILL ASSM PURCH
 WELD SHOP SALES X
 MACH SHOP ADV
 DATE 1-31-14
 DRAWN C.M.B
 ENGR.

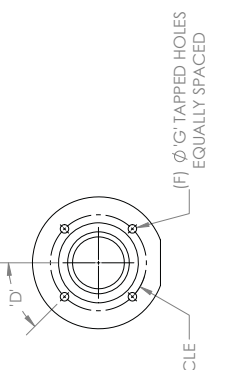
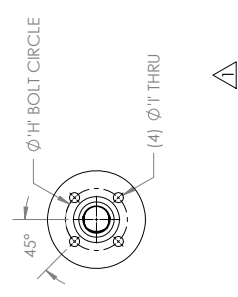
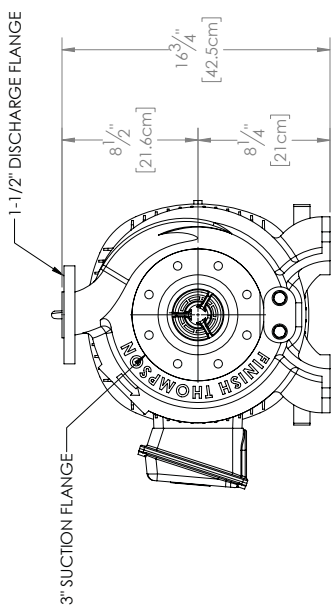
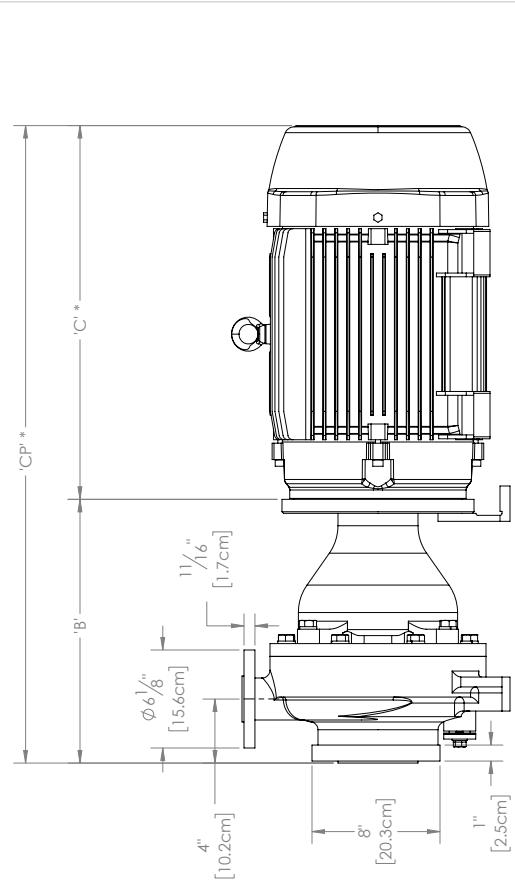
SCALE: DNS
 SHEET 1 OF 1
 CHECKED

REC'D BY: PENNSYLVANIA 1981
 PRODUCT:
 UC3158
 NEMA OUTLINE DIMENSIONAL DWG
 PART NUMBER R101592
 REV 2

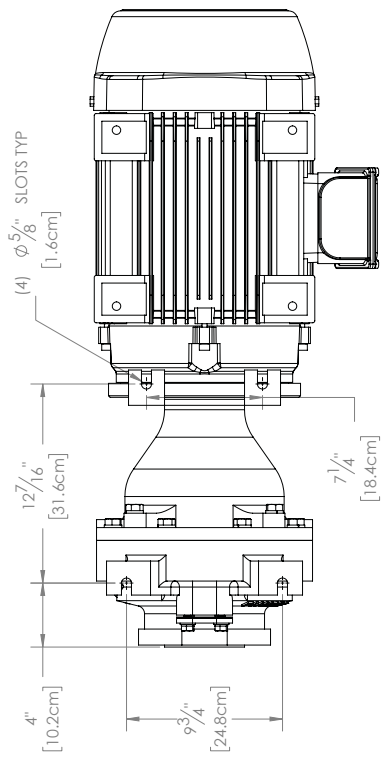
DO NOT SCALE DRAWING
 DO NOT MANUALLY UPDATE

Motor Frame	B		C*		CP*		PUMP WT**		MOTOR WT*	
	inches	cm	inches	cm	inches	cm	lbs	kg	lbs	kg
IEC 90 BS	16-15/32"	41.8	11"	27.9	27-9/32"	69.8	215	97.5	39	18
IEC 100/112 BS	16-15/32"	41.8	12-7/16"	31.6	28-29/32"	73.4	245	111.1	630	286
IEC 130 BS	16-15/32"	41.8	16-3/32"	40.9	32-9/16"	82.7	245	111.1	630	286
IEC 160 BS	18-25/32"	47.7	19-1/2"	49.5	38-9/32"	97.2	245	111.1	630	286
IEC 180 BS	18-25/32"	47.7	21-25/32"	54.8	40-9/16"	103	245	111.1	630	286
IEC 200 BS	18-25/32"	47.7	24-5/16"	61.8	43-3/32"	109.5	245	111.1	630	286
IEC 225 BS	18-25/32"	47.7	27-29/32"	70.9	46-21/32"	118.5	245	111.1	630	286

REVISIONS			
REV	DESCRIPTION	DATE	APPRD
1	CORRECTED DIM 'I' IN CHART	3-21-14	CMB
2	ADDED SUCTION AND DISCHARGE FLANGE DIMENSIONS	3-21-19	JB



SUCTION & DISCHARGE FLANGE BOLTING DETAILS									
	'D'	'E'	'F'	'G'	'H'	'I'			
	deg	inches	cm	inches	cm	inches	cm	inches	cm
150# Flange	45	6"	15.2	4	5/8-11 UNC	3-7/8"	9.5	3/4"	1.9
300# Flange	22.5	6-5/8"	16.8	8	3/4-10 UNC	4-1/2"	11.4	7/8"	2.2
ISO/DIN PN 40 Flange	22.5	6.30"	16.0	8	M16-2.0	4-11/32"	11.0	27/32"	2.2



UNLESS OTHERWISE SPECIFIED
DIMENSIONS ARE IN INCHES
TOLERANCES ARE:
XXX.4 0.00
XXX.5 0.01
FRAC. 1/16
FINISH 1/32

DISTRIBUTION BLOCK
DEPT RECD DEPT RECD
PUMP ASSM INJ MOLD
STILL ASSM PURCH
WELD SHOP SALES X
MACH SHOP ADV
SIGNATURES DATE 1-31-14
DRAWN C.M.B
ENGR.

DO NOT SCALE DRAWING
CAD GENERATED DRAWING
DO NOT MANUALLY UPDATE

FTI
FLOTTING TECHNOLOGY
UC3158
IEC OUTLINE DIMENSIONAL DWG
PART NUMBER R101593
SCALE: DNS
SHEET 1 OF 1
CHECKED
REV. 2

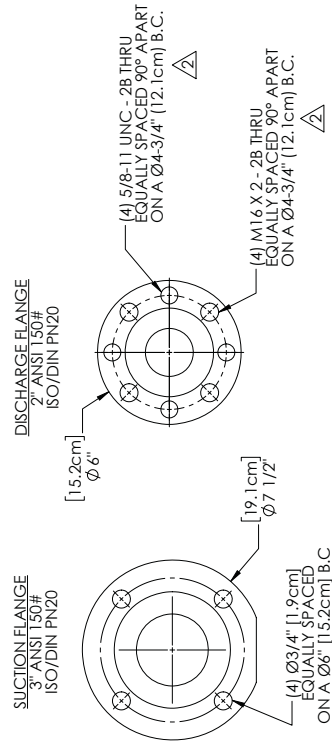
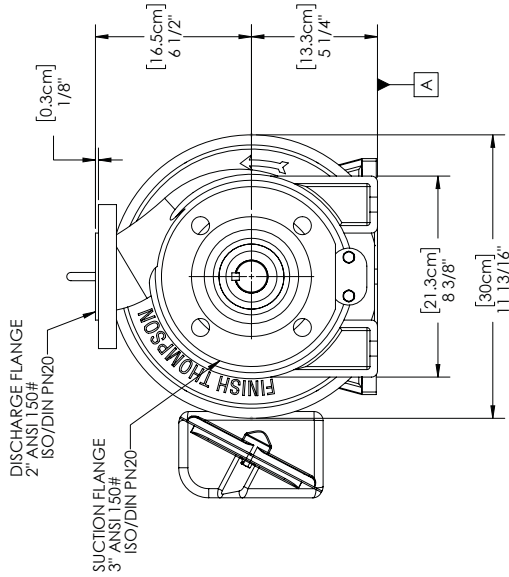
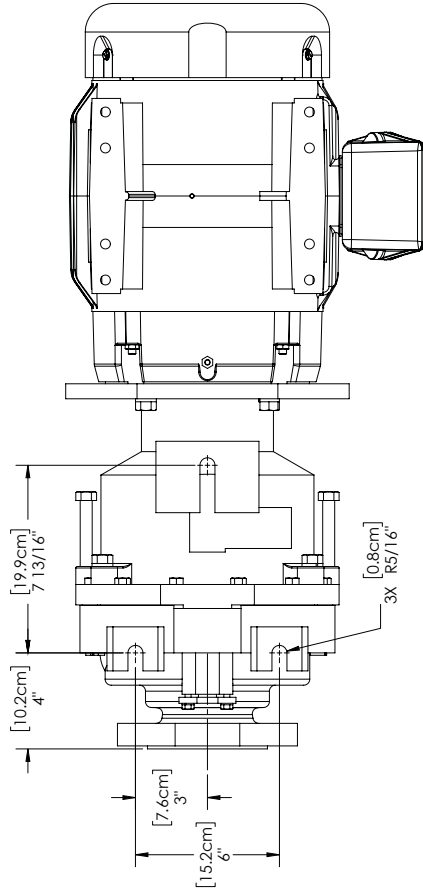
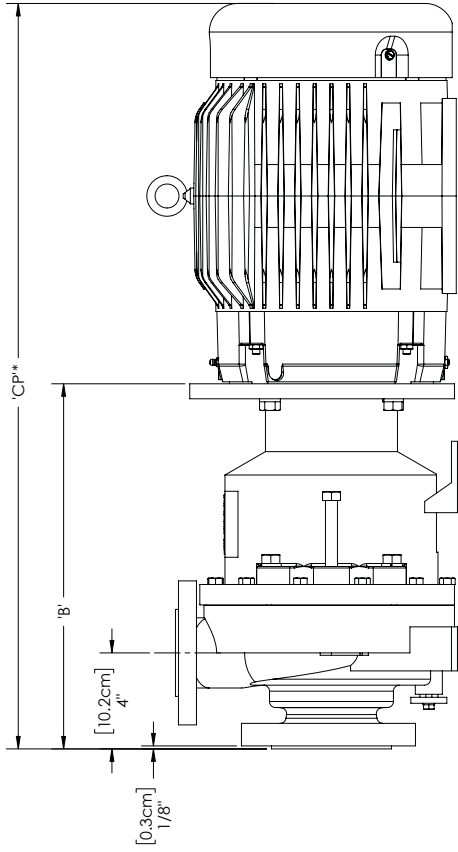
PHONE: (814) 945-4798
FAX: (814) 945-8515

NOTE:
1. ALL DIMENSIONS AND WEIGHTS ARE TO BE USED FOR REFERENCE ONLY
2. ANSI 150#, 300#, AND ISO/DIN PN40 FLANGES ARE IN COMPLIANCE WITH BOLTING DIMENSIONS ONLY
*. MAY VARY DUE TO MOTOR MANUFACTURER AND STYLE OF MOTOR CHOSEN

REVOLUTIONS

REV	DESCRIPTION	DATE	APPRD	TRACK
1	ADDED NEMA 284/6TSC	6-22-17	CMB	4831
2	12.1 WAS INCORRECTLY SHOWN AS 21.1	5-18-18	CMB	5066

- NOTES:
 DIMENSIONS ARE TO BE USED FOR REFERENCE USE ONLY
 1. *CP DIMENSION MAY VARY DEPENDING ON MOTOR MANUFACTURER
 2. DATUM "A" REFERS TO PUMP FOOT
 3. ANSI 150# AND ISO/DIN PN20 FLANGES ARE IN COMPLIANCE WITH
 4. BOLTING DIMENSIONS ONLY



UC326	NEMA 284/6TSC	36-11/16 (93.2cm)
UC326	NEMA 254/6TC	34-9/32" (87.1cm)
UC326	NEMA 213/5TC	15-7/32" (38.6cm)
UC326	NEMA 184/4TC	31-5/32" (79.1cm)
UC326	NEMA 145 TC	28-3/32" (71.3cm)
UC326	NEMA 145 TC	23-17/32" (59.8cm)
MODEL	MOTOR FRAME	'B'
		'CP*'

UNLESS OTHERWISE SPECIFIED		DISTRIBUTION BLOCK	
UNIT OF MEASURE: INCHES	DEPT	REC'D	DEPT
TOLERANCES ARE:	PUMP ASSM	INI MOLD	REC'D
XXX ± .006	STILL ASSM	PURCH	REC'D
FRAC. ± .002	WELD SHOP	SALES	REC'D
FINISH ±.02	MACH SHOP	ADV	REC'D
FINISH ±.02	DATE	THIRD ANGLE PROJECTION	REV
SIGNATURES	5/19/16	DO NOT MANUALLY UPDATE	2
DRAWN TDS	ENGR.	CAD GENERATED DRAWING.	REV
DO NOT SCALE DRAWING	DO NOT MANUALLY UPDATE	SCALE: DNS	1 OF 1
		SHEET	CHECKED



REC'D 104 (REVISIONS) UC326
 REC'D 104 (REV. PENNSYLVANIA 1081)
 PRODUCT: UC326

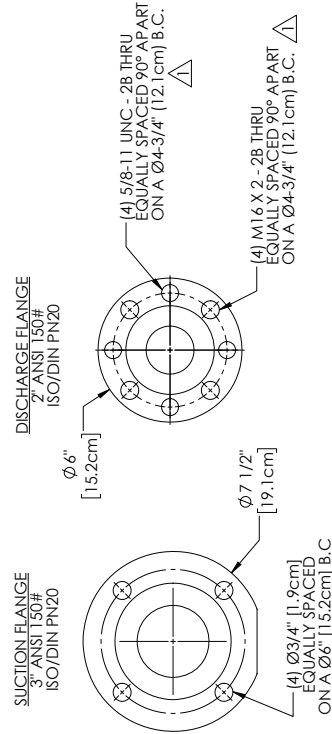
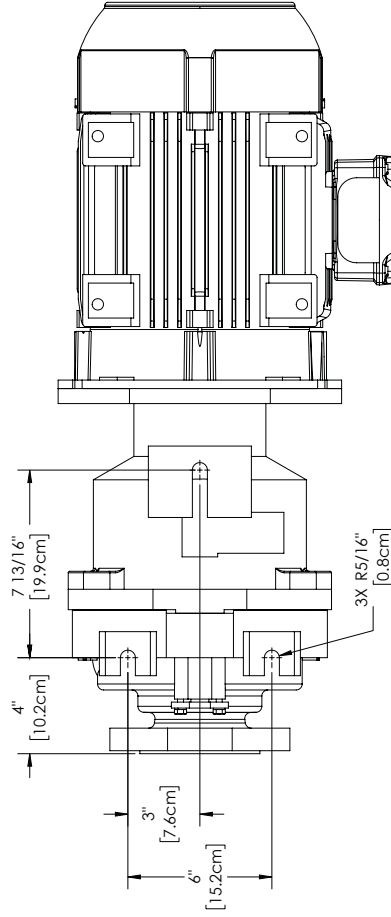
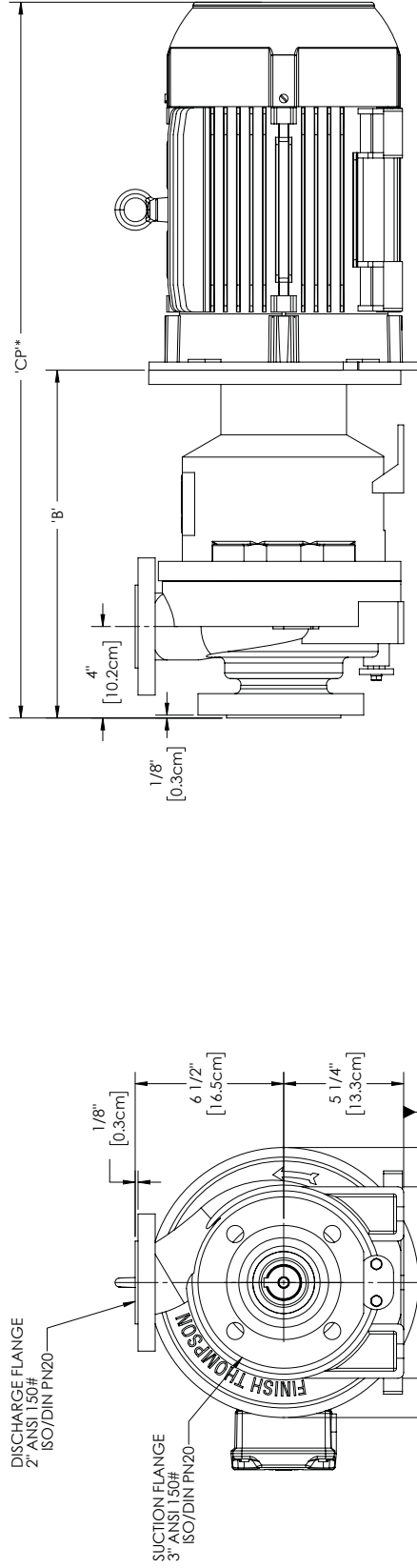
TITLE: OUTLINE DIM - NEMA MOTORS
 PART NUMBER: R101963
 SCALE: DNS

PHONE: (610) 565-4798
 FAX: (610) 565-8515

REVOLUTIONS

REV	DESCRIPTION	DATE	APPRD	TRACK
1	12.1 WAS INCORRECTLY SHOWN AS 21.1	5-18-18	CMB	5066

- NOTES:
 1. DIMENSIONS ARE TO BE USED FOR REFERENCE USE ONLY
 2. *CP DIMENSION MAY VARY DEPENDING ON MOTOR MANUFACTURER
 3. DATUM "A" REFERS TO PUMP FOOT
 4. ANSI 150# AND ISO/DIN PN20 FLANGES ARE IN COMPLIANCE WITH BOLTING DIMENSIONS ONLY



MODEL	MOTOR FRAME	'B'	'CP*'
UC326	IEC 160 B5	15-13/16 [40.2cm]	36-25/32" [93.4cm]
UC326	IEC 132 B5	15-7/32" [38.6cm]	31-5/16" [79.5cm]
UC326	IEC 100/112 B14	12-13/16" [32.5cm]	25-31/32 [66.0cm]
UC326	IEC 90 B14	12-13/16" [32.5cm]	23-13/16 [60.5cm]

UNLESS OTHERWISE SPECIFIED
 DIMENSIONS ARE IN INCHES
 TOLERANCES ARE:
 XXX .4 006
 XXX .4 006
 FRAC. 1 102
 FINISH 1.25

DRAWN TDS
 ENGR.

DO NOT SCALE DRAWING
 DO NOT MANUALLY UPDATE

DISTRIBUTION BLOCK
 DEPT RECD RECD RECD
 PUMP ASSM INJ MOLD
 STILL ASSM PURCH X
 WELD SHOP SALES X
 MACH SHOP ADV
 DATE 5/20/16
 THIRD ANGLE PROJECTION
 CAD GENERATED DRAWING
 DO NOT MANUALLY UPDATE

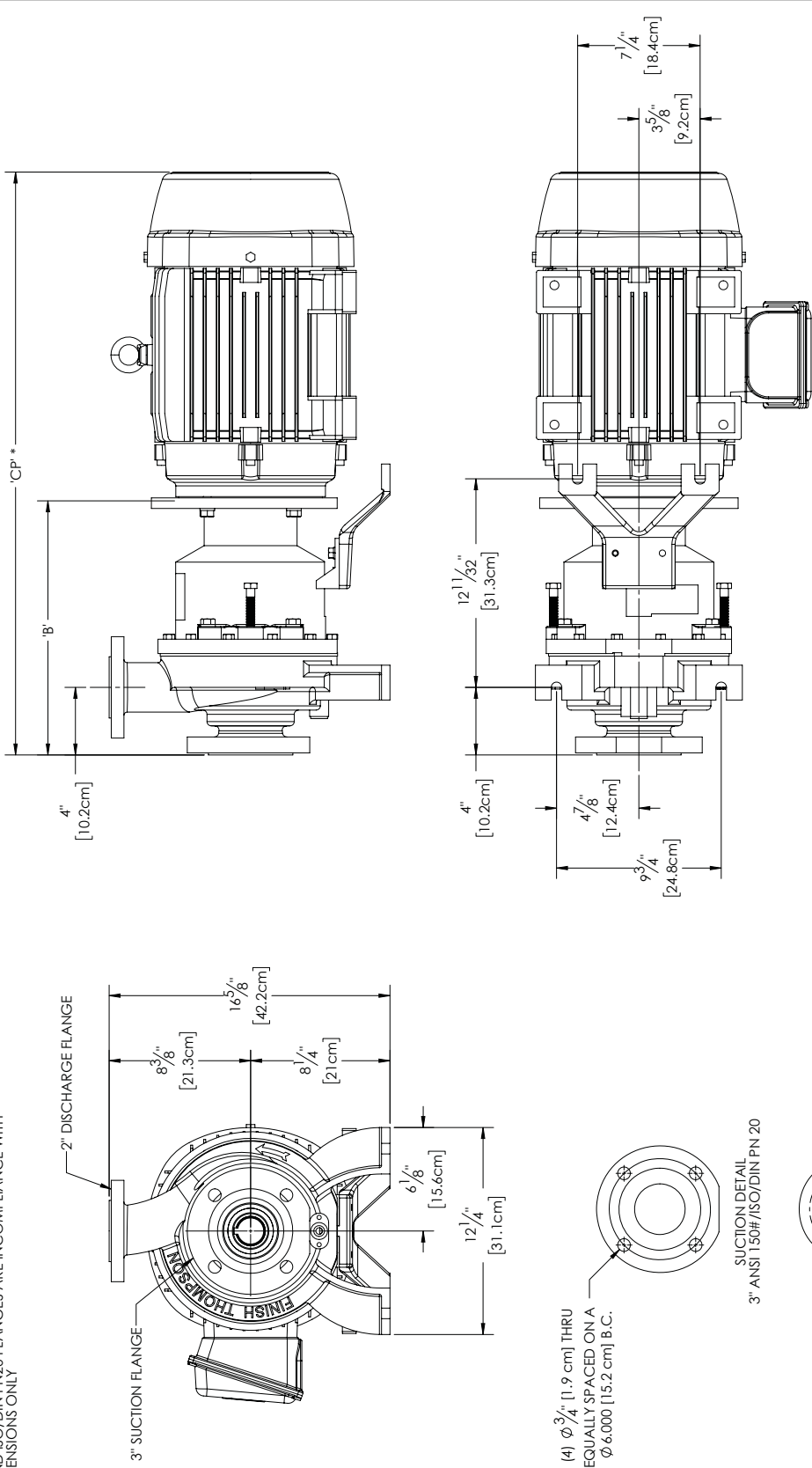
FTI
 FINE TUBE INDUSTRIES INC.
 1000 W. PENNSYLVANIA 1001
 PHOENIX, AZ 85042
 PHONE: (602) 992-8779
 FAX: (602) 992-8555

UC326
 TITLE
 OUTLINE DIM - IEC MOTORS
 PART NUMBER
 R101966
 SCALE: DNS
 SHEET 1 OF 1
 CHECKED
 REV. 1

REVOLUTIONS

REV	DESCRIPTION	DATE	APPRD	TRACK
1	8-1/4" WAS 8-3/8"	11-25-15	CMB	
2	ADDED NEMA 284/6TSC	6-23-17	CMB	4831

- NOTES:
 1. DIMENSIONS ARE TO BE USED FOR REFERENCE ONLY
 2. *CP- DIMENSION MAY VARY DEPENDING ON MOTOR MANUFACTURER AND STYLE OF MOTOR CHOSEN
 3. DATUM 'A' REFERS TO PUMP FOOT
 4. ANSI 150# AND ISO/DIN PN20 FLANGES ARE IN COMPLIANCE WITH BOLTING DIMENSIONS ONLY



DISCHARGE DETAIL
 2" ANSI 150# ISO/DIN PN 20

NEMA	284/6TSC	254/6TC	213/5TC	184/4TC	145TC
37-1/64	94.0	34-9/32	87.1	31-5/32	79.1
15-1/32	38.2	28-3/32	71.3	23-17/32	59.8
inches	cm	inches	cm	inches	cm
MOTOR FRAME					
B'					
CP**					

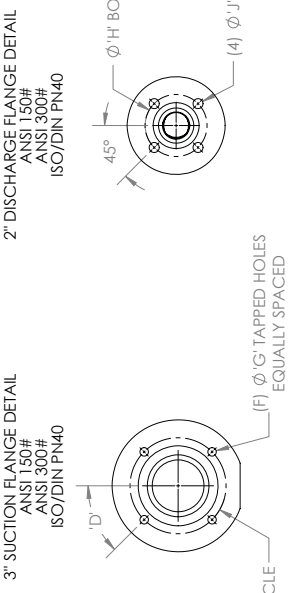
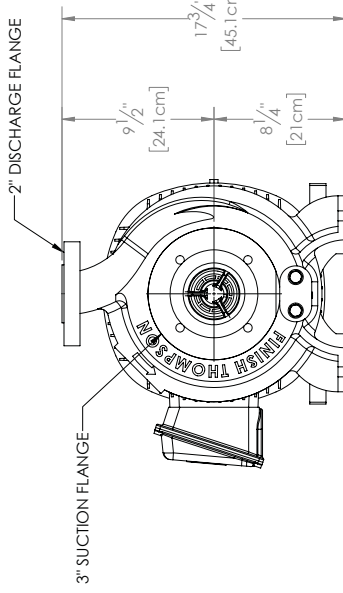
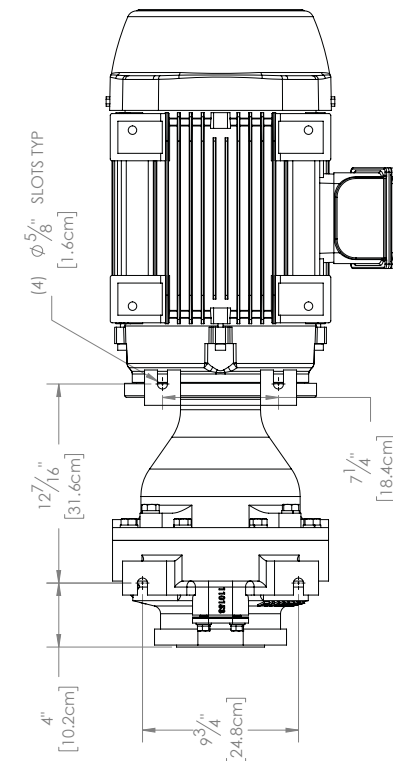
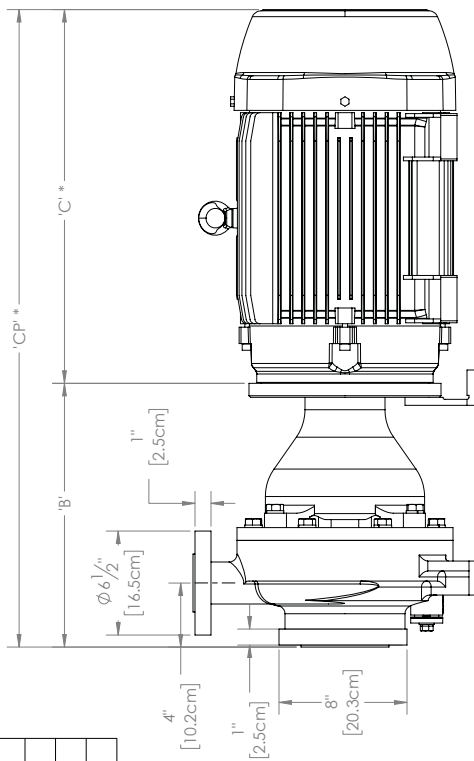
SUCTION DETAIL
 3" ANSI 150# ISO/DIN PN 20

UNLESS OTHERWISE SPECIFIED		DISTRIBUTION BLOCK	
FINISH: 12.5 INCHES	DEPT	REC'D	DEPT
TOLERANCES: ALL	PUMP ASSM	INI MOLD	INI MOLD
XXX ± .008	STILL ASSM	PURCH	PURCH
FRAC. ± .002	WELD SHOP	SALES	SALES
FINISH 1.25	MACH SHOP	ADV	ADV
SIGNATURES	DATE	THIRD ANGLE	PROJECTION
DRAWN: CMB	10-24-15	PROJECTION	PROJECTION
ENGR:		SCALE	SCALE
DO NOT SCALE DRAWING	DO NOT MANUALLY UPDATE		

FTI	FTI ENGINEERING, INC.	1801 PENNSYLVANIA BLVD.	PHILADELPHIA, PA 19103	PHONE: (814) 955-8798	FAX: (814) 955-8551
UC326H					
OUTLINE DIM- NEMA MOTORS					
REV. 2					
R101777					
SHEET 1 OF 1					
CHECKED					

REVISIONS			
REV	DESCRIPTION	DATE	APPRD
1	ADDED SUCTION AND DISCHARGE FLANGE DIMENSIONS	3-22-19	JB

Motor Frame	B		C*		CP*		PUMP WT**		MOTOR WT*	
	inches	cm	inches	cm	inches	cm	lbs	kg	lbs	kg
NEMA 145TC	16-15/32"	41.8	11-7/32"	28.5	27-11/16"	70.3	35	16	35	16
NEMA 182/4TC	16-15/32"	41.8	13-1/16"	33.2	29-9/16"	75.1	91	41	91	41
NEMA 213/5TC	16-15/32"	41.8	16-5/32"	41	32-5/8"	82.9	160	73	160	73
NEMA 254/6TC	16-15/32"	41.8	21-1/32"	53.4	37-1/2"	95.3	257	117	257	117
NEMA 284/6TSC/7C	16-15/32"	41.8	23-3/8"	59.4	39-27/32"	101.2	375	170	375	170
NEMA 324/6TSC/7C	18-25/32"	47.7	25-7/8"	65.7	44-21/32"	113.4	604	274	604	274
NEMA 364/5TSC/7C	18-25/32"	47.7	28-3/32"	71.4	46-27/32"	119.0	773	351	773	351



SUCTION & DISCHARGE FLANGE BOLTING DETAILS									
	'D'	'E'	'F'	'G'	'H'	'I'	'J'		
	deg	inches	cm	inches	cm	inches	cm	inches	cm
150# Flange	45	6"	15.2	4	5/8-11 UNC	4-3/4"	12.1	4	3/4"
300# Flange	22.5	6-5/8"	16.8	8	3/4-10 UNC	5"	12.7	8	3/4"
ISO/DIN PN 40 Flange	22.5	6.30"	16.0	8	M16-2.0	4-29/32"	12.5	4	23/32"

NOTE:
 1. ALL DIMENSIONS AND WEIGHTS ARE TO BE USED FOR REFERENCE ONLY
 2. ANSI 150#, 300#, AND ISO/DIN PN40 FLANGES ARE IN COMPLIANCE WITH BOLTING DIMENSIONS ONLY
 *. MAY VARY DUE TO MOTOR MANUFACTURER AND STYLE OF MOTOR CHOSEN

UNLESS OTHERWISE SPECIFIED
 DIMENSIONS ARE IN INCHES
 TOLERANCES ARE:
 XXX .000
 XXX .001
 XXX .002
 XXX .003
 XXX .004
 XXX .005
 XXX .006
 XXX .007
 XXX .008
 XXX .009
 XXX .010

DISTRICTION BLOCK
 DEPT RECD RECD RECD RECD RECD
 PUMP ASSM INJ MOLD
 STILL ASSM PURCH
 WELD SHOP SALES X
 MACH SHOP ADV
 SIGNATURES DATE 7-5-16
 DRAWN C.M.B
 ENGR.
 DO NOT SCALE DRAWING
 DO NOT MANUALLY UPDATE

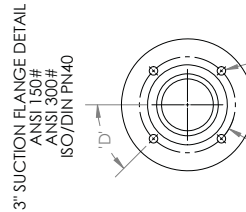
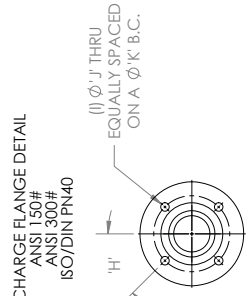
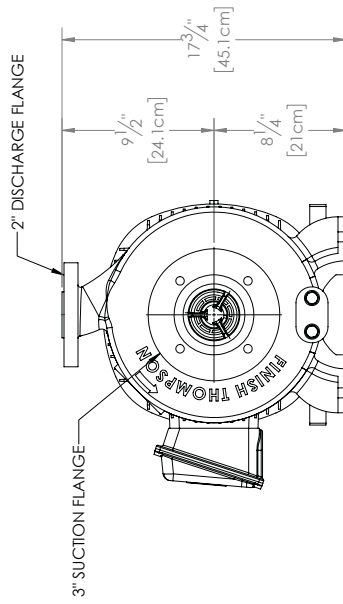
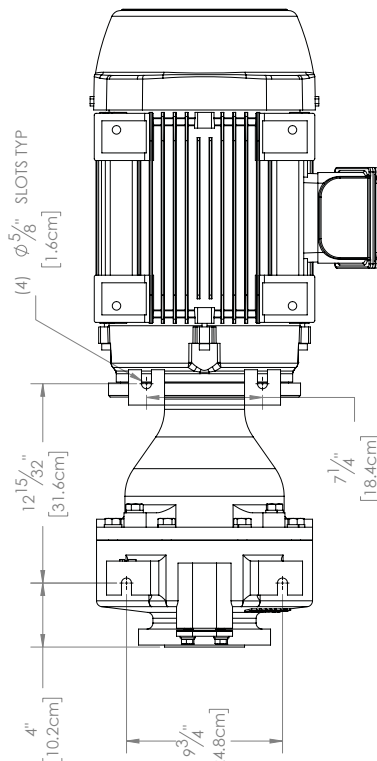
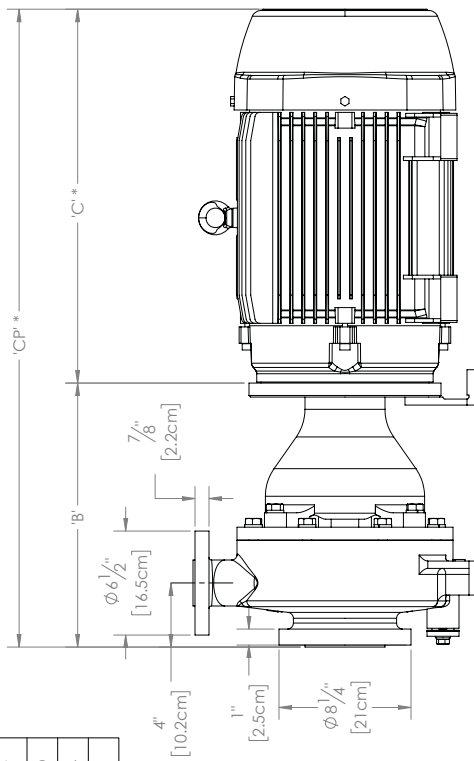
SCALE: DNS
 SHEET: 1 OF 1
 CHECKED: 1

FTI
 FLOTTING TECHNOLOGY
 UC328
 NEMA OUTLINE DIMENSIONAL DWG
 PART NUMBER R101980
 REV. 1

PHONE: (814) 455-8798
 FAX: (814) 455-8515

REVISIONS			
REV	DESCRIPTION	DATE	APPRD
1	ADDED SUCTION AND DISCHARGE FLANGE DIMENSIONS	3-22-19	JB

Motor Frame	B		C*		CP*		PUMP WT**		MOTOR WT*	
	inches	cm	inches	cm	inches	cm	lbs	kg	lbs	kg
NEMA 145TC	16-15/32"	41.8	11-7/32"	28.5	27-11/16"	70.3	215	97.5	35	16
NEMA 182/4TC	16-15/32"	41.8	13-1/16"	33.2	29-9/16"	75.1			91	41
NEMA 213/5TC	16-15/32"	41.8	16-5/32"	41	32-5/8"	82.9			160	73
NEMA 254/6TC	16-15/32"	41.8	21-1/32"	53.4	37-1/2"	95.3			257	117
NEMA 284/6TSC/7C	16-15/32"	41.8	23-3/8"	59.4	39-27/32"	101.2			375	170
NEMA 324/6TSC/7C	18-25/32"	47.7	25-7/8"	65.7	44-21/32"	113.4	245	111.1	604	274
NEMA 364/5TSC/7C	18-25/32"	47.7	28-3/32"	71.4	46-27/32"	119.0			773	351



SUCTION & DISCHARGE FLANGE BOLTING DETAILS											
	'D'	'E'	'F'	'G'	'H'	'I'	'J'	'K'			
	deg	inches	cm	UNC	deg	inches	cm	inches	cm		
150# Flange	45	6"	15.2	4	5/8-11	45	4	3/4"	12.1	4-3/4"	12.1
300# Flange	22.5	6-5/8"	16.8	8	3/4-10	22.5	8	3/4"	12.7	5"	12.7
ISO/DIN PN 40 Flange	22.5	6-30"	16.0	8	M16-2.0	45	4	23/32"	1.8	4.774"	12.1

NOTE:
 1. ALL DIMENSIONS AND WEIGHTS ARE TO BE USED FOR REFERENCE ONLY
 2. ANSI 150#, 300#, AND ISO/DIN PN40 FLANGES ARE IN COMPLIANCE WITH BOLTING DIMENSIONS ONLY
 *. MAY VARY DUE TO MOTOR MANUFACTURER AND STYLE OF MOTOR CHOSEN

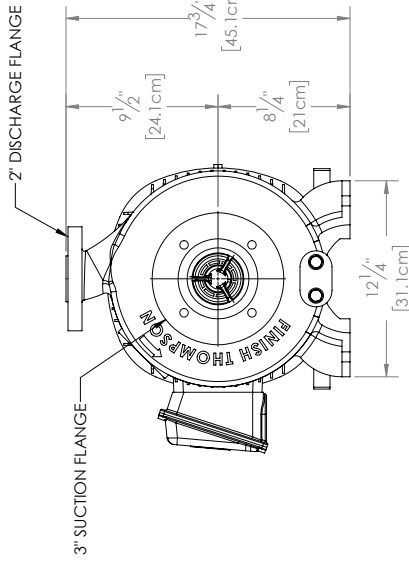
UNLESS OTHERWISE SPECIFIED
 DIMENSIONS ARE IN INCHES
 XXX 4 000
 FINISH 1.00
 FINISH 1.25

DISTRIBUTION BLOCK
 DEPT RECD RECD RECD
 PUMP ASSM INJ MOLD
 STILL ASSM PURCH
 WELD SHOP SALES X
 MACH SHOP ADV
 DATE 2-6-17
 DRAWN C.M.B
 ENGR
 DO NOT SCALE DRAWING
 CAD GENERATED DRAWING
 DO NOT MANUALLY UPDATE

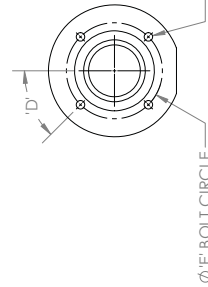
FTI
 FLOTTING TECHNOLOGIES
 1000 PENNSYLVANIA 1001
 PHOENIX, ARIZONA 85016
 PHONE (602) 952-8778
 FAX (602) 952-8515

UC3210
 NEMA OUTLINE DIMENSIONAL DWG
 PART NUMBER R102034
 SCALE DNS
 SHEET 1 OF 1
 CHECKED

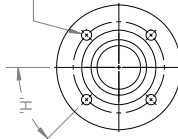
Motor Frame	B		C*		CP*		PUMP WT**		MOTOR WT*	
	inches	cm	inches	cm	inches	cm	lbs	kg	lbs	kg
IEC 90 B5	16-15/32"	41.8	11"	27.9	27-15/32"	69.8			39	18
IEC 100/112 B5	16-15/32"	41.8	12-7/16"	31.6	28-29/32"	73.4	215	97.5	104	47
IEC 132 B5	16-15/32"	41.8	16-3/32"	40.9	32-9/16"	82.7			174	79
IEC 160 B5	18-25/32"	47.7	19-1/2"	49.5	38-9/32"	97.2			319	145
IEC 180 B5	18-25/32"	47.7	21-25/32"	21.8	40-9/16"	103			380	172
IEC 200 B5	18-25/32"	47.7	24-5/16"	61.8	43-3/32"	109.5			531	241
IEC 225 B5	18-25/32"	47.7	27-29/32"	70.9	46-2/32"	118.5			630	286



3" SUCTION FLANGE DETAIL
ANSI 150#
ANSI 300#
ISO/DIN PN40



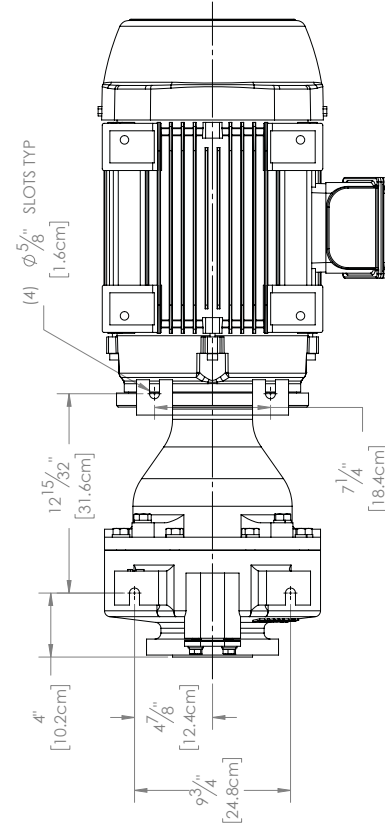
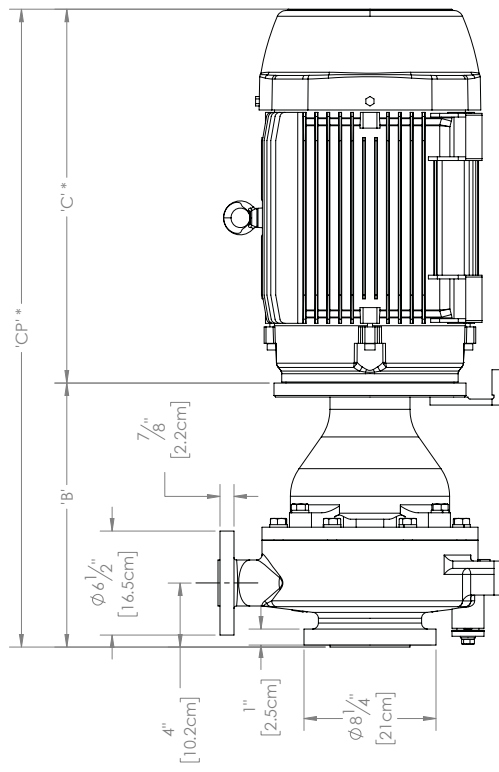
2" DISCHARGE FLANGE DETAIL
ANSI 150#
ANSI 300#
ISO/DIN PN40



	SUCTION & DISCHARGE FLANGE BOLTING DETAILS										
	'D'	'E'	'F'	'G'	'H'	'J'	'K'	deg	inches	cm	
150# Flange	45	6"	15.2	4	5/8-11 UNC	45	4	3/4"	12.1	4-3/4"	12.1
300# Flange	22.5	6-5/8"	16.8	8	3/4-10 UNC	22.5	8	3/4"	12.7	5"	12.7
ISO/DIN PN 40 Flange	22.5	6.30"	16.0	8	M16-2.0	45	4	23/32"	1.8	4.774"	12.1

NOTE:
1. ALL DIMENSIONS AND WEIGHTS ARE TO BE USED FOR REFERENCE ONLY
2. ANSI 150#, 300#, AND ISO/DIN PN40 FLANGES ARE IN COMPLIANCE WITH BOLTING DIMENSIONS ONLY
*. MAY VARY DUE TO MOTOR MANUFACTURER AND STYLE OF MOTOR CHOSEN

REVISIONS			
REV	DESCRIPTION	DATE	APPRD
1	ADDED SUCTION AND DISCHARGE FLANGE DIMENSIONS	3-22-19	JB



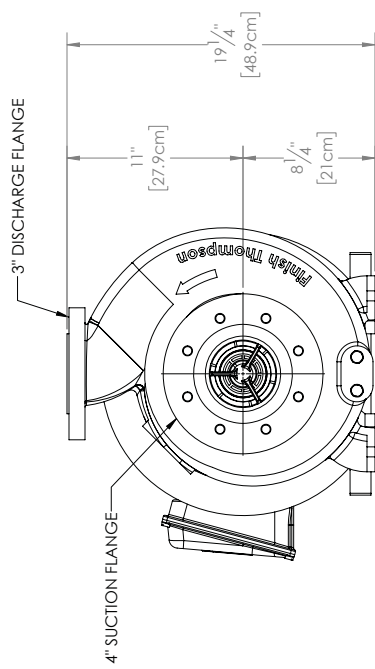
UNLESS OTHERWISE SPECIFIED
DIMENSIONS ARE IN INCHES
TOLERANCES ARE:
XXX ± .006
XX ± .003
X ± .0015
FINISH 1.0
FINISH 1.5

DISTRIBUTION BLOCK
DEPT RECD RECD RECD RECD
PUMP ASSM INJ MOLD
STILL ASSM PURCH
WELD SHOP SALES X
MACH SHOP ADV
DATE 2-8-17
DRAWN C.M.B
ENG. DO NOT SCALE DRAWING
CAD GENERATED DRAWING
DO NOT MANUALLY UPDATE

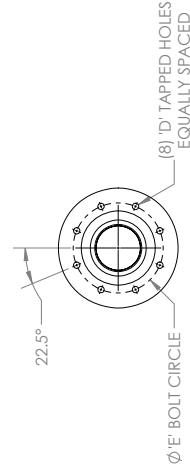
FTI
FLOTTING TECHNOLOGY
1000 PENNSYLVANIA 1081
PHILADELPHIA, PA 19104
PHONE: (814) 925-8798
FAX: (814) 925-8515

UC3210
IEC OUTLINE DIMENSIONAL DWG
PART NUMBER R102035
SCALE: DNS
SHEET 1 OF 1
CHECKED
REV. 1

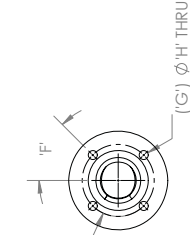
Motor Frame	B	C*	CP*	PUMP WT	MOTOR WT*
	inches	cm	inches	lbs	kg
NEMA 145TC	16-15/32"	41.8	11-7/32"	35	16
NEMA 182/4TC	16-15/32"	41.8	13-1/16"	91	41
NEMA 213/5TC	16-15/32"	41.8	16-5/32"	160	73
NEMA 254/6TC	16-15/32"	41.8	21-1/32"	257	117
NEMA 284/6TSC/TC	16-15/32"	41.8	23-3/8"	375	170
NEMA 324/6TSC/TC	18-25/32"	47.7	25-7/8"	604	274
NEMA 364/5TSC/TC	18-25/32"	47.7	28-3/32"	1111.1	504
				773	351



4" SUCTION FLANGE DETAIL
ANSI 150#
ANSI 300#
ISO/DIN PN40



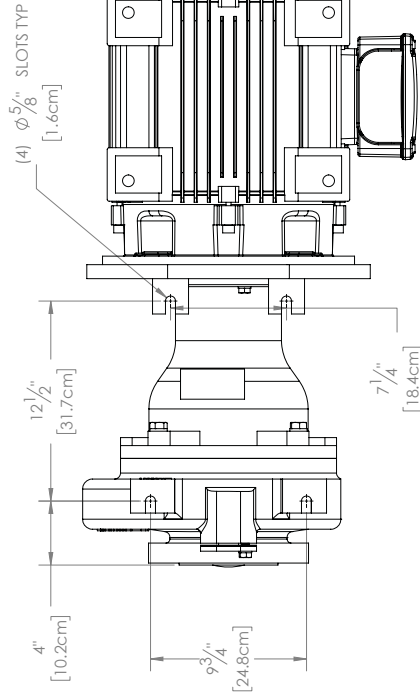
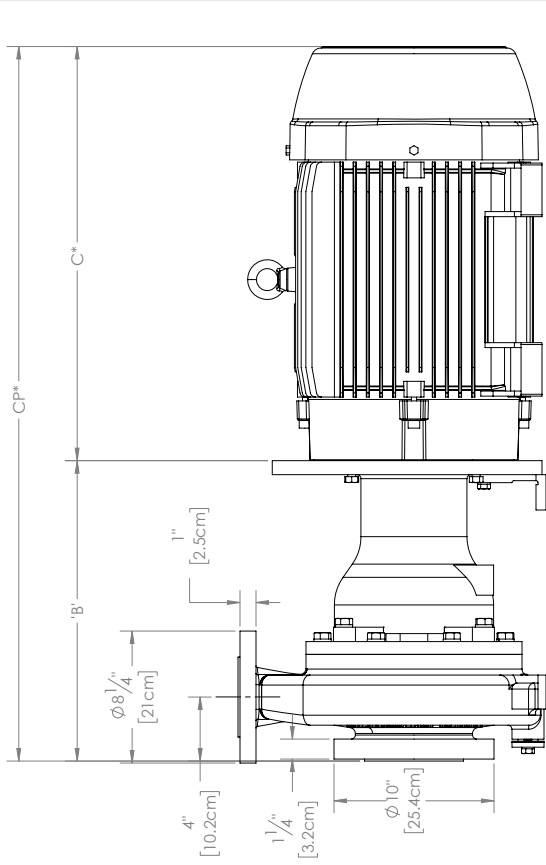
3" DISCHARGE FLANGE DETAIL
ANSI 150#
ANSI 300#
ISO/DIN PN40



	SUCTION & DISCHARGE FLANGE BOLTING DETAILS								
	'D'	'E'	'F'	'H'					
	inches	cm	deg	inches					
150# Flange	5/8-11 UNC	7-1/2"	1.9	45	4	3/4"	1.9	6"	15.2
300# Flange	3/4-10 UNC	7-7/8"	2.0	22.5	8	3/4-10 UNC	—	6-5/8"	16.8
ISO/DIN PN 40 Flange	M20-2.5	7-15/32"	1.9	22.5	8	M16-2.0	—	6-5/16"	16

NOTE:
1. ALL DIMENSIONS AND WEIGHTS ARE TO BE USED FOR REFERENCE ONLY
2. ANSI 150#, 300#, AND ISO/DIN PN40 FLANGES ARE IN COMPLIANCE WITH BOLTING DIMENSIONS ONLY
*. MAY VARY DUE TO MOTOR MANUFACTURER AND STYLE OF MOTOR CHOSEN

REVISIONS			
REV	DESCRIPTION	DATE	APPRD
1	ADDED SUCTION AND DISCHARGE FLANGE DIMENSIONS	3-25-19	JB



UNLESS OTHERWISE SPECIFIED
DIMENSIONS ARE IN INCHES
TOLERANCES ARE:
XXX ± .006
XXX ± .002
FRAC. ± .002
FINISH 125

DISTRIBUTION BLOCK
DEPT RECD DEPT RECD INJ MOLD PURCH
PUMP ASSM STILL ASSM
WELD SHOP MACH SHOP
DATE 9-29-15
SIGNATURES
DRAWN: C.M.B
ENGR:

DO NOT SCALE DRAWING
DO NOT MANUALLY UPDATE

SCALE: DNS
SHEET: 1 OF 1
CHECKED:

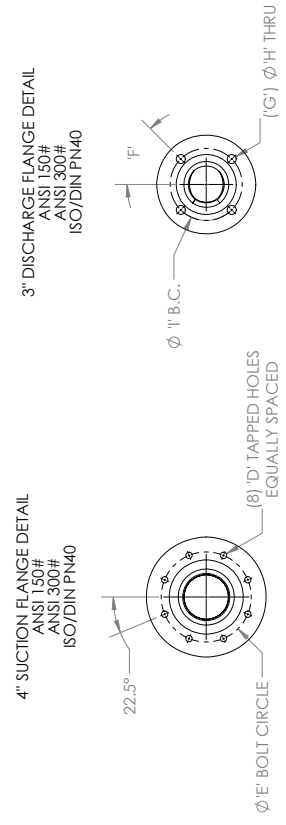
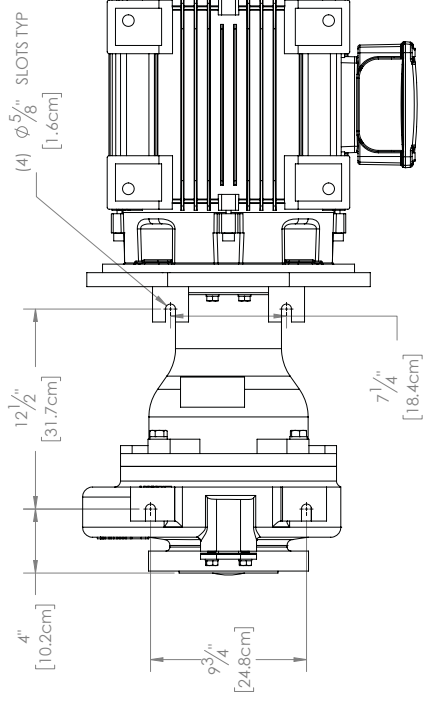
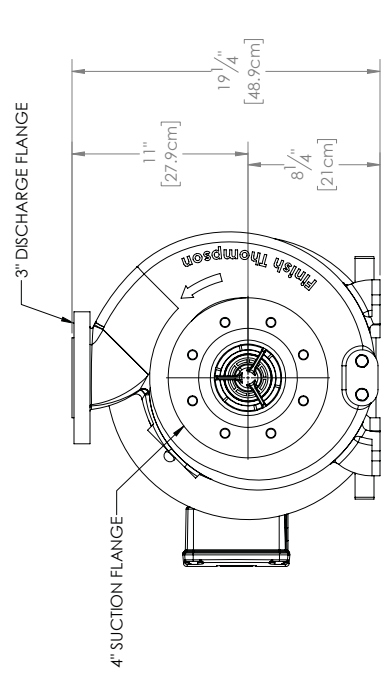
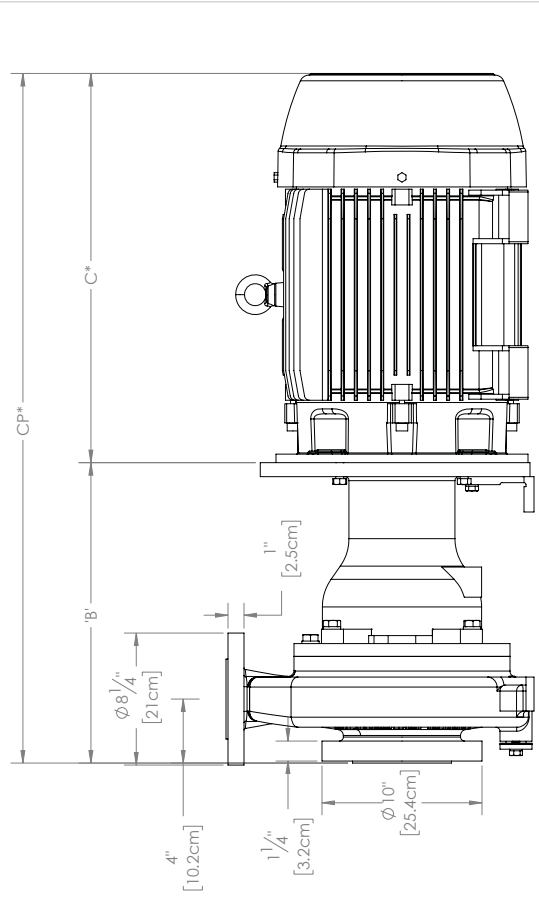
REV. 1

UC4310H
NEMA OUTLINE DIMENSIONAL DWG
R101770
PART NUMBER
C

INVOICE: (814) 455-8798
FAX: (814) 455-8515

Motor Frame	B		C*		CP*		PUMP WT		MOTOR WT*	
	inches	cm	inches	cm	inches	cm	lbs	kg	lbs	kg
IEC 90 B5	16-15/32"	41.8	11"	27.9	27-15/32"	69.8			39	17.7
IEC 100/112 B5	16-15/32"	41.8	12-7/16"	31.6	28-29/32"	73.4	215	97.5	104	47.2
IEC 132 B5	16-15/32"	41.8	16-3/32"	40.9	32-9/16"	82.7			174	78.9
IEC 160 B5	18-25/32"	47.7	19-1/2"	49.5	38-9/32"	97.2			319	144.7
IEC 180 B5	18-25/32"	47.7	21-29/32"	55.8	40-9/16"	103	245	111.1	531	240.9
IEC 200 B5	18-25/32"	47.7	24-5/16"	61.8	43-3/32"	109.5			581	264.9
IEC 225 B5	18-25/32"	47.7	27-29/32"	70.9	46-21/32"	118.5			630	285.8

REVISIONS			
REV	DESCRIPTION	DATE	APPRD
1	ADDED SUCTION AND DISCHARGE FLANGE DIMENSIONS	3-25-19	JB



SUCTION & DISCHARGE FLANGE BOLTING DETAILS									
	D	E	F	G	H	I	J	K	L
	inches	cm	inches	cm	inches	cm	inches	cm	inches
150# Flange	5/8-11 UNC	7-1/2"	1.9	45	4	3/4"	1.9	6"	15.2
300# Flange	3/4-10 UNC	7-7/8"	2.0	22.5	8	7/8"	2.2	6-5/8"	16.8
ISO/DIN PN 40 Flange	M20-2.5	7-15/32"	1.9	22.5	8	27/32"	2.2	6-5/16"	16

UNLESS OTHERWISE SPECIFIED
TOLERANCES ARE:
XXX ± .006
XXX ± .002
XXX ± .001
XXX ± .0005
FINISH 125

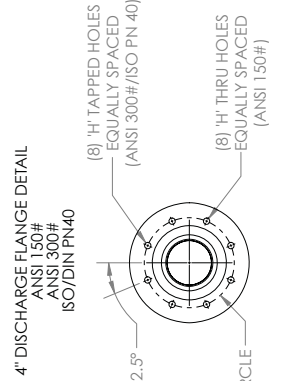
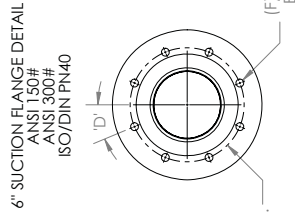
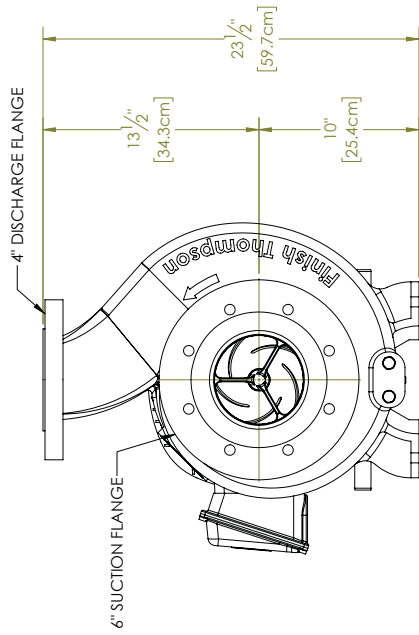
DISTRIBUTION BLOCK
DEPT RECD INJ MOLD PURCH
PUMP ASSM STILL ASSM
WELD SHOP MACH SHOP
DATE 10-24-15
DRAWN: C.M.B
ENGR:

REC'D BY: BERNARDUS
REV. PENNSYLVANIA 1981
PRODUCT:
TITLE: IEC OUTLINE DIMENSIONAL DWG
PART NUMBER: R101836
SCALE: DNS
SHEET: 1 OF 1
CHECKED: 1

REV. 1

NOTE:
1. ALL DIMENSIONS AND WEIGHTS ARE TO BE USED FOR REFERENCE ONLY
2. ANSI 150#, 300#, AND ISO/DIN PN40 FLANGES ARE IN COMPLIANCE WITH BOLTING DIMENSIONS ONLY
*. MAY VARY DUE TO MOTOR MANUFACTURER AND STYLE OF MOTOR CHOSEN

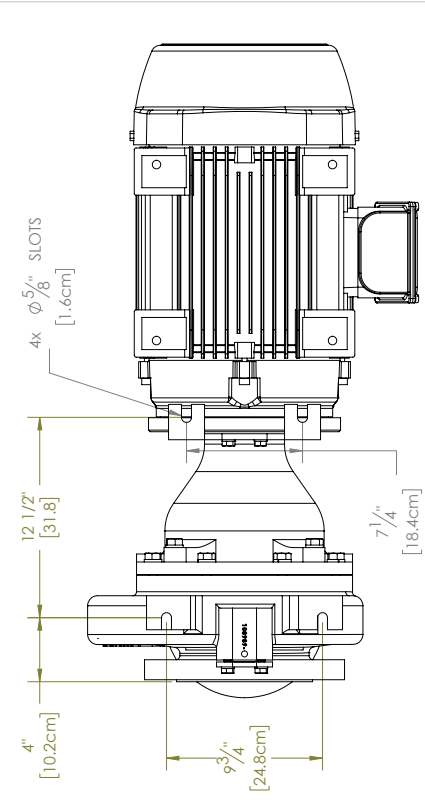
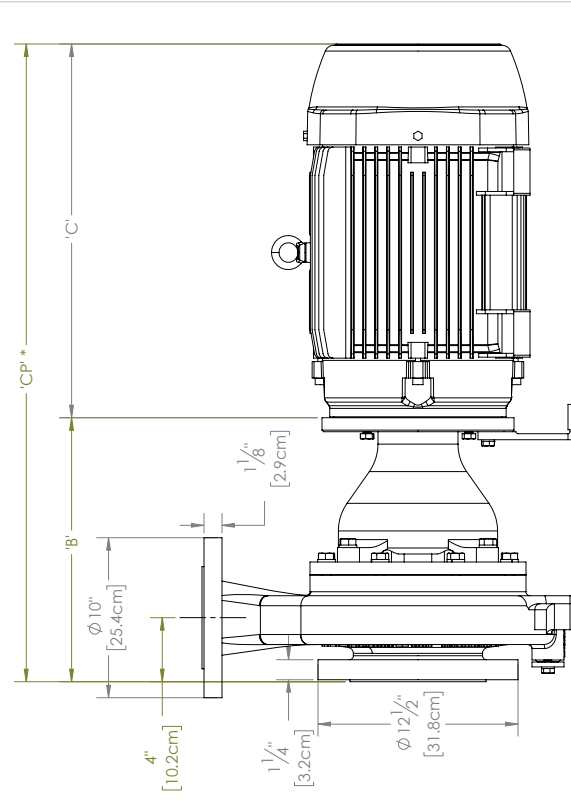
Motor Frame	B	C*	CP*	PUMP WT	MOTOR WT*
	inches	cm	inches	lbs	kg
NEMA 145TC	16-15/32"	41.8	27-11/16"	35	16
NEMA 182/4TC	16-15/32"	41.8	29-9/16"	91	41
NEMA 213/5TC	16-15/32"	41.8	32-5/8"	160	73
NEMA 254/6TC	16-15/32"	41.8	37-1/2"	257	117
NEMA 284/6TSC/TC	16-15/32"	41.8	39-27/32"	375	170
NEMA 324/6TSC/TC	18-25/32"	47.7	44-21/32"	604	274
NEMA 364/5TSC/TC	18-25/32"	47.7	46-27/32"	773	351



	SUCTION & DISCHARGE FLANGE BOLTING DETAILS							
	'D'	'E'	'F'	'G'	'H'	'I'		
	inches	cm	inches	inches	inches	cm		
150# Flange	22.5	9-1/2"	24.1	8	3/4-10 UNC	3/4	7-1/2"	19.1
300# Flange	15	10-5/8"	27.0	12	3/4-10 UNC	3/4-10 INC	7-7/8"	20.0
ISO/DIN PN 40 Flange	22.5	9-27/32"	25.0	8	M24 X 3.0	M24 X 2.5	7-15/32"	19.0

NOTE:
 1. ALL DIMENSIONS AND WEIGHTS ARE TO BE USED FOR REFERENCE ONLY
 2. ANSI 150#, 300#, AND ISO/DIN PN40 FLANGES ARE IN COMPLIANCE WITH BOLTING DIMENSIONS ONLY
 *. MAY VARY DUE TO MOTOR MANUFACTURER AND STYLE OF MOTOR CHOSEN

REVISIONS			
REV	DESCRIPTION	DATE	APPRD
1	ADDED SUCTION AND DISCHARGE FLANGE DIMENSIONS	3-25-19	JB



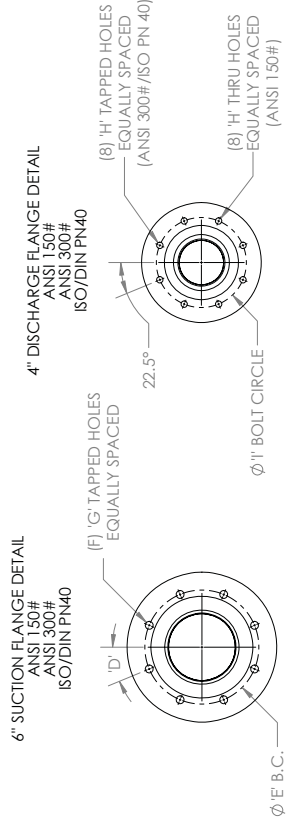
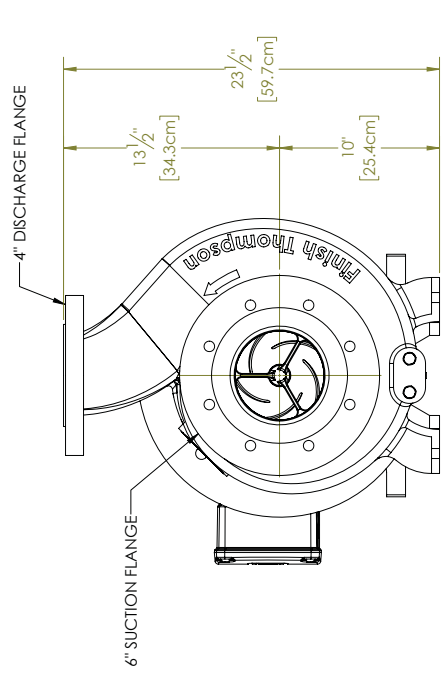
UNLESS OTHERWISE SPECIFIED TOLERANCES ARE:
 XXX .000 INCHES
 XXX .000 MILLIMETERS
 FINISH: 1.032 INCHES
 FINISH: 1.25 MILLIMETERS

DISTRICTION BLOCK
 DEPT RECD INJ MOLD PURCH X
 PUMP ASSM STILL ASSM WELD SHOP ADV
 MACH SHOP ADV
 DATE 12-23-15
 DRAWN: C.M.B
 ENGR: DO NOT SCALE DRAWING
 CAD GENERATED DRAWING. DO NOT MANUALLY UPDATE

REC'D BY: PENNSYLVANIA 1081
 PRODUCT: UC6410
 NEMA OUTLINE DIMENSIONAL DWG
 PART NUMBER: R101895
 SCALE: DNS
 SHEET: 1 OF 1
 CHECKED: 1

FTI
 FLOTTING TECHNOLOGY INC.
 1000 W. PENNSYLVANIA 1081
 PHOENIX, AZ 85042-4515
 FAX: (602) 455-8515

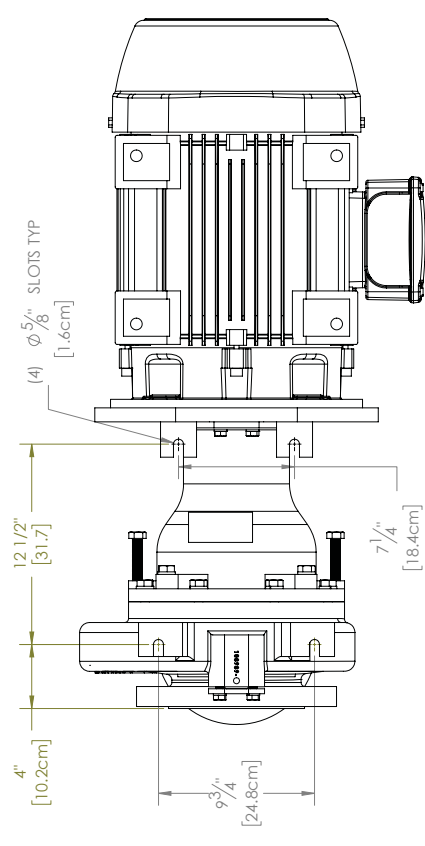
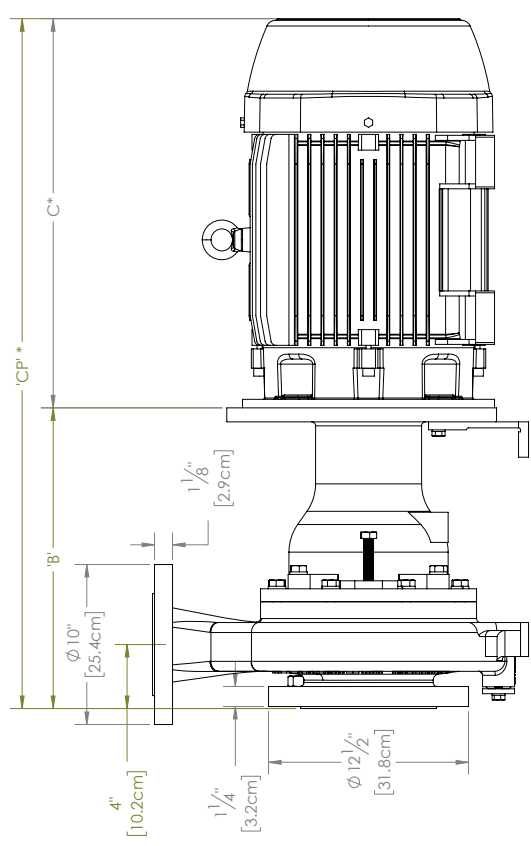
Motor Frame	B		C*		CP*		PUMP WT		MOTOR WT*	
	inches	cm	inches	cm	inches	cm	lbs	kg	lbs	kg
IEC 90 B5	16-15/32"	41.8	11"	27.9	27-15/32"	69.8	240	108.9	39	17.7
IEC.100/112 B5	16-15/32"	41.8	12-7/16"	31.6	28-29/32"	73.4	240	108.9	104	47.2
IEC. 132 B5	16-15/32"	41.8	16-3/32"	40.9	32-9/16"	82.7	270	122.5	174	78.9
IEC. 160 B5	18-25/32"	47.7	19-1/2"	49.5	38-9/32"	97.2	270	122.5	319	144.7
IEC. 180 B5	18-25/32"	47.7	21-29/32"	55.8	40-9/16"	103	270	122.5	380	172.4
IEC. 200 B5	18-25/32"	47.7	24-5/16"	61.8	43-3/32"	109.5	270	122.5	531	240.9
IEC. 225 B5	18-25/32"	47.7	27-29/32"	70.9	46-21/32"	118.5	630	285.8	630	285.8



	SUCTION & DISCHARGE FLANGE BOLTING DETAILS								
	'D'	'E'	'F'	'G'	'H'	'I'			
	inches	cm	inches	inches	inches	cm	inches	cm	
150# Flange	22.5	9-1/2"	24.1	8	3/4-10 UNC	3/4	1.9	7-1/2"	19.1
300# Flange	15	10-5/8"	27.0	12	3/4-10 UNC	3/4-10 UNC	7-7/8"	20.0	20.0
ISO/DIN PN 40 Flange	22.5	9-27/32"	25.0	8	M24 X 3.0	M20 X 2.5	7-15/32"	19.0	19.0

NOTE:
 1. ALL DIMENSIONS AND WEIGHTS ARE TO BE USED FOR REFERENCE ONLY
 2. ANSI 150#, 300#, AND ISO/DIN PN40 FLANGES ARE IN COMPLIANCE WITH BOLTING DIMENSIONS ONLY
 *. MAY VARY DUE TO MOTOR MANUFACTURER AND STYLE OF MOTOR CHOSEN

REVISIONS			
REV	DESCRIPTION	DATE	APPRD TRACK
1	CORRECTED FLANGE SIZE CALLOUT	4-28-16	CMB
2	ADDED SUCTION AND DISCHARGE FLANGE DIMENSIONS	3-25-19	JB



UNLESS OTHERWISE SPECIFIED
 TOLERANCES ARE:
 XXX .000 INCHES
 XXX .002 INCHES
 XXX .005 INCHES
 FINISH 125
 FINISH 125

DRAWN: C.M.B
 ENG:

DISTRIBUTION BLOCK
 DEPT RECD RECD RECD
 PUMP ASSM INJ MOLD
 STILL ASSM PURCH
 WELD SHOP SALES X
 MACH SHOP ADV
 DATE 1-6-16
 SIGNATURES
 THIRD ANGLE PROJECTION
 CAD GENERATED DRAWING
 DO NOT MANUALLY UPDATE

SCALE: DNS
 SHEET: 1 OF 1
 CHECKED

REV. 2

PART NUMBER: R101910
 TITLE: IEC OUTLINE DIMENSIONAL DWG
 PRODUCT: UC6410
 PROJECT: IEC PENNSYLVANIA 1081
 DESIGNED BY: J.B. JONES
 DRAWN BY: C.M.B.
 CHECKED BY: J.B. JONES
 DATE: 4-28-16
 SCALE: DNS
 SHEET: 1 OF 1
 TRACK: CMB
 DATE: 3-25-19
 TRACK: JB
 5264