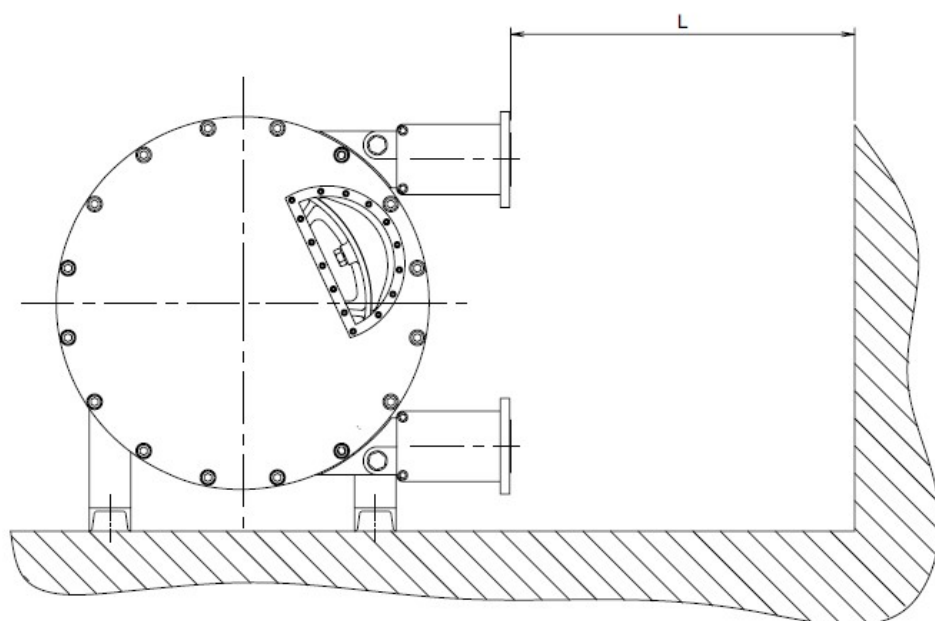




## Positioning the pump

- During the pump ground study, provide enough space for the hose change as well as the possible installation of a pulsation dampener. Distance (L), in mm, is the required length for hose removal



PUMP	DISTANCE (L)
ALH05	400
ALH10	400
ALH15	500
ALH20	500
ALH25	800
ALH32	1000
ALH40	1000
ALHX40	1200
ALH50	1400
ALH65	1400
ALHX80	1600
ALH80	2000
ALH100	2800
ALH125	3000