



SERIES 30 HYDRAULIC

1" x 3/4" End Suction Centrifugal Pump

SERIES 30 Hydraulic end suction centrifugal pumps are offered with .22 or .37 cubic inch displacement gerotor motors for hydraulic flows up to 9 GPM and a maximum pressure of 2000 PSI.

SERIES 30 end suction centrifugal pumps are available in cast iron or bronze construction to suit a wide variety of liquids.

All fasteners are stainless steel to reduce corrosion. Impellers are dynamically balanced to improve efficiency and bearing life.

Standard carbon / ceramic / Viton mechanical seal is self-adjusting and corrosion resistant to handle almost any liquid.

Application

- Agricultural
- Industrial
- Marine
- OEM

SPECIFICATIONS:

Suction And Discharge	1" x 3/4" NPT
Materials Of Construction	Bronze, Cast iron
Flow	Up to 85 GPM
Head Feet	Up to 173'
Impeller	3.25" semi-open cast iron or bronze
Drive Options	Hydraulic motor .22 cu. in, Hydraulic motor .37 cu. in.
Seal	Standard carbon / ceramic / Viton
Max Solid Size	.27"
Hydraulic Fluid Flow	Up to 9 GPM
Hydraulic Motor	Gerotor
Options	Hydraulic motors with flow controls
Hydraulic System Pressure	Up to 2000 PSI
Psi	Up to 68

Illinois Location:

(847) 841-7867

860 Church Rd Elgin, IL 60120

Minnesota Location:

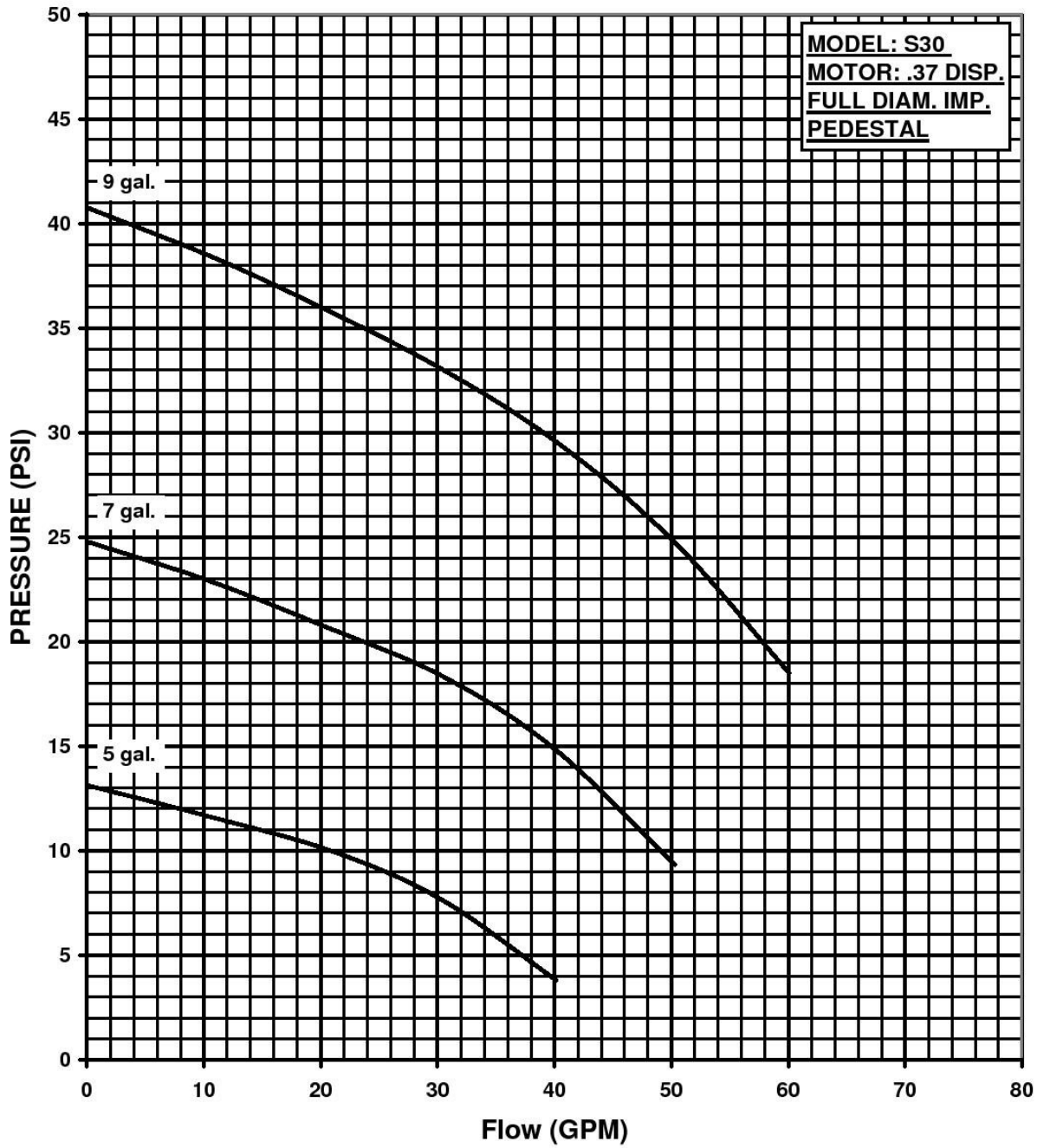
(651) 758-7867

330 Mill Bay South Suite :
Afton, MN 55001

PumpSupplyInc.com



PUMP SUPPLY
INCORPORATED



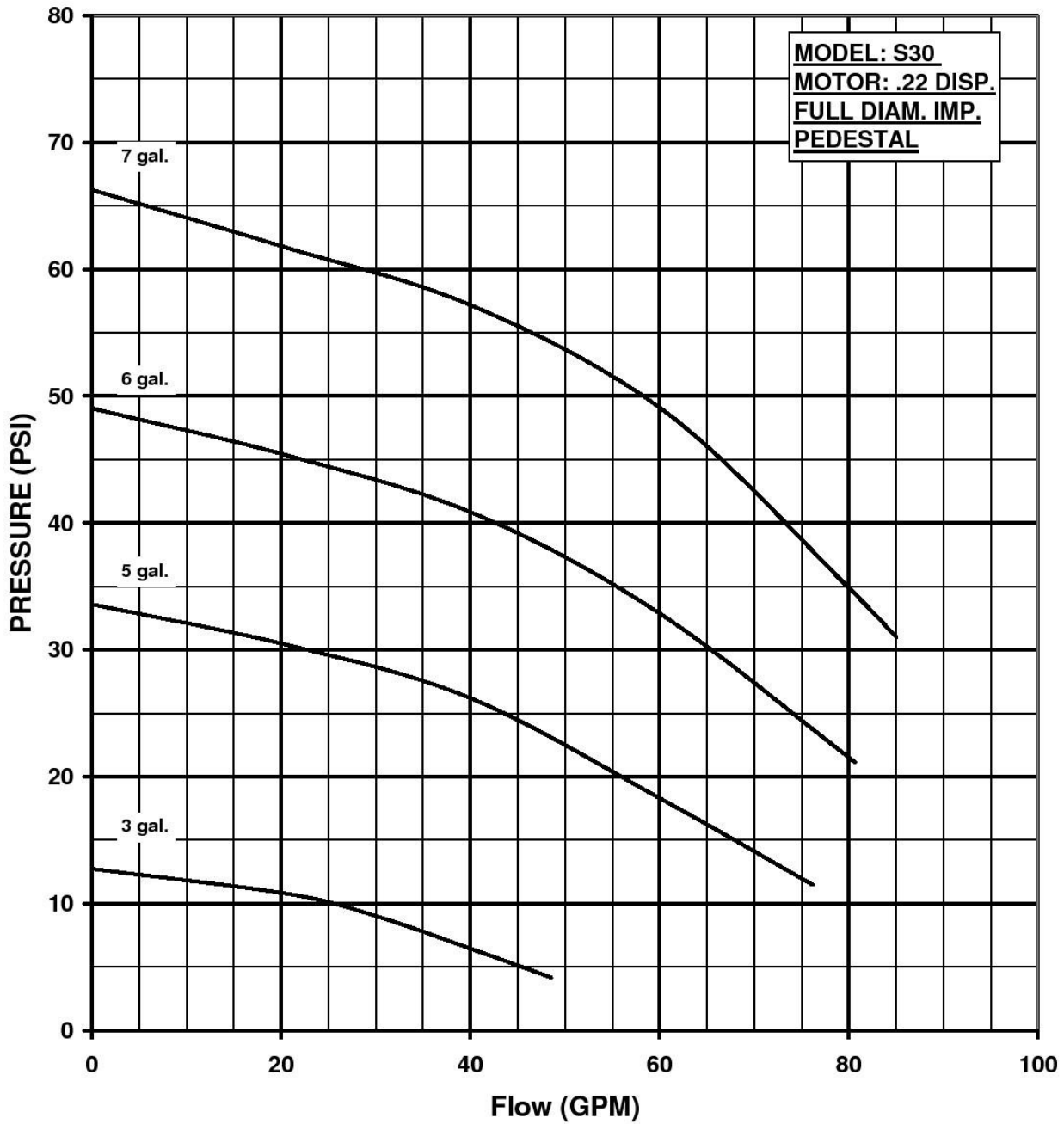
OIL FLOW	SHUT OFF 0 GPM	10 GPM	20 GPM	30 GPM	40 GPM	50 GPM	60 GPM	MAX. HYD. OIL PRESS.REQ.
5 GPM	13 PSI	12 PSI	10 PSI	8 PSI	4 PSI	-	-	450 PSI
7 GPM	24 PSI	23 PSI	21 PSI	18 PSI	15 PSI	9 PSI	-	600 PSI
9 GPM	41 PSI	38 PSI	36 PSI	33 PSI	29 PSI	25 PSI	19 PSI	750 PSI

CN 7085-S



34800 BENNETT - FRASER, MI 48026-1686
 (586) 293-8240 - FAX (586) 293-8469
 (800) 563-8006 - www.mppumps.com

SERIES 30 HYDRAULIC



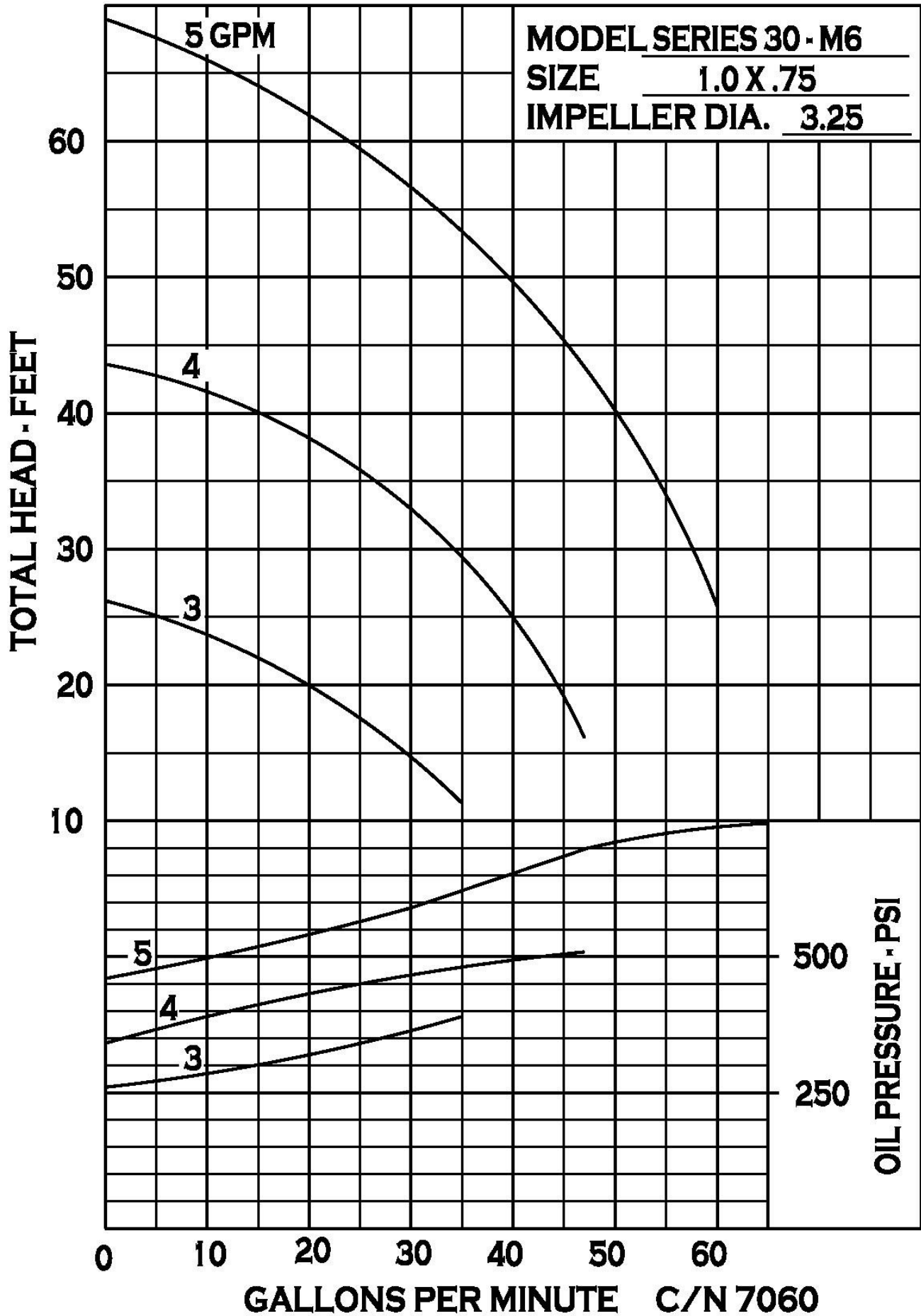
OIL FLOW	SHUT OFF 0 GPM	10 GPM	20 GPM	30 GPM	40 GPM	50 GPM	60 GPM	70 GPM	80 GPM	MAX. HYD. OIL PRESS.REQ.
3 GPM	13 PSI	12 PSI	11 PSI	8 PSI	6 PSI	-	-	-	-	650 PSI
5 GPM	33 PSI	32 PSI	31 PSI	28 PSI	26 PSI	23 PSI	18 PSI	14 PSI	-	1000 PSI
6 GPM	48 PSI	47 PSI	46 PSI	43 PSI	41 PSI	37 PSI	33 PSI	27 PSI	22 PSI	1300 PSI
7 GPM	66 PSI	64 PSI	62 PSI	59 PSI	57 PSI	54 PSI	49 PSI	42 PSI	35 PSI	1500 PSI

CN 7120-S



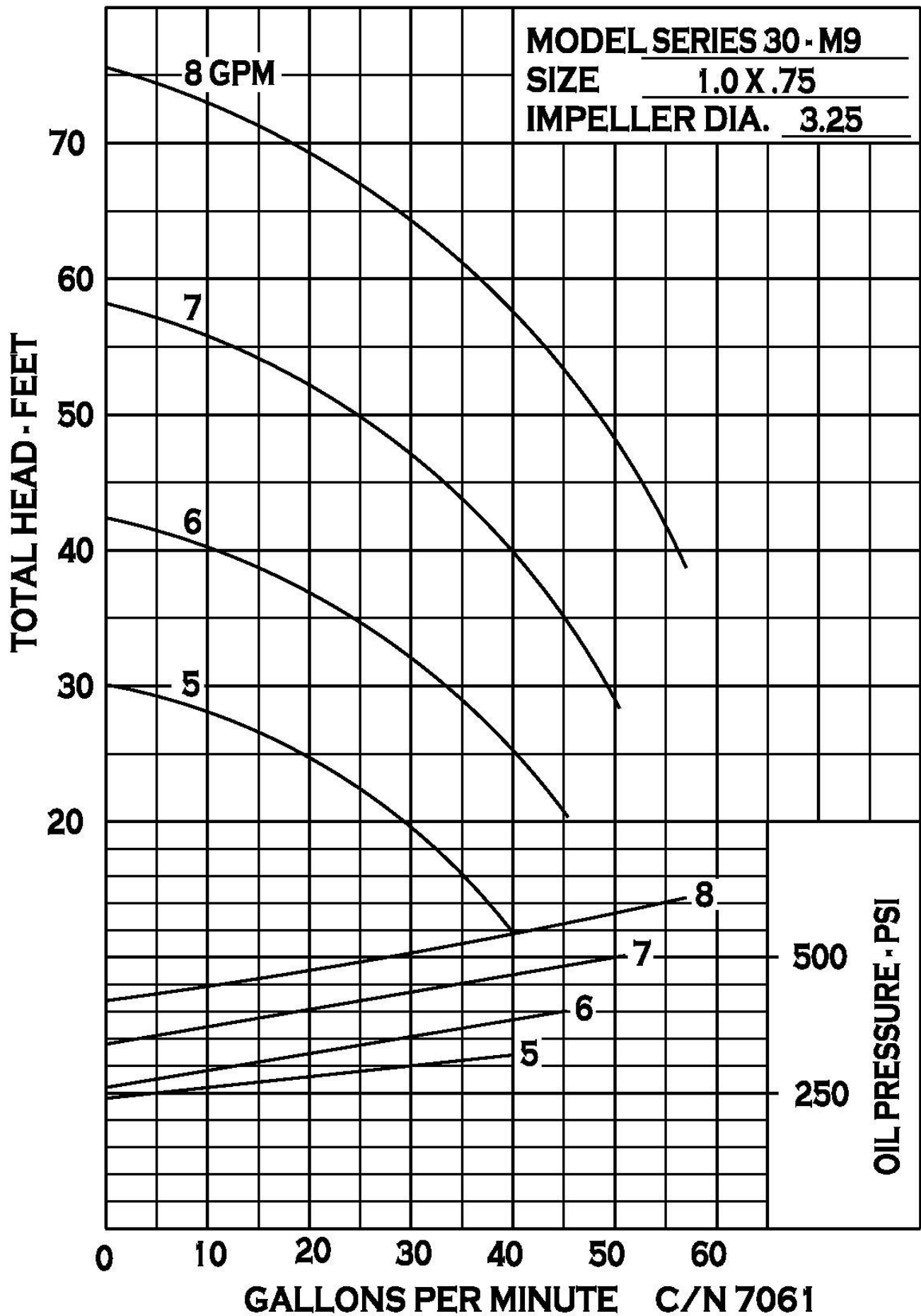
34800 BENNETT - FRASER, MI 48026-1686
 (586) 293-8240 - FAX (586) 293-8469
 (800) 563-8006 - www.mppumps.com

SERIES 30 HYDRAULIC



34800 BENNETT - FRASER, MI 48026-1686
 (586) 293-8240 - FAX (586) 293-8469
 (800) 563-8006 - www.mppumps.com

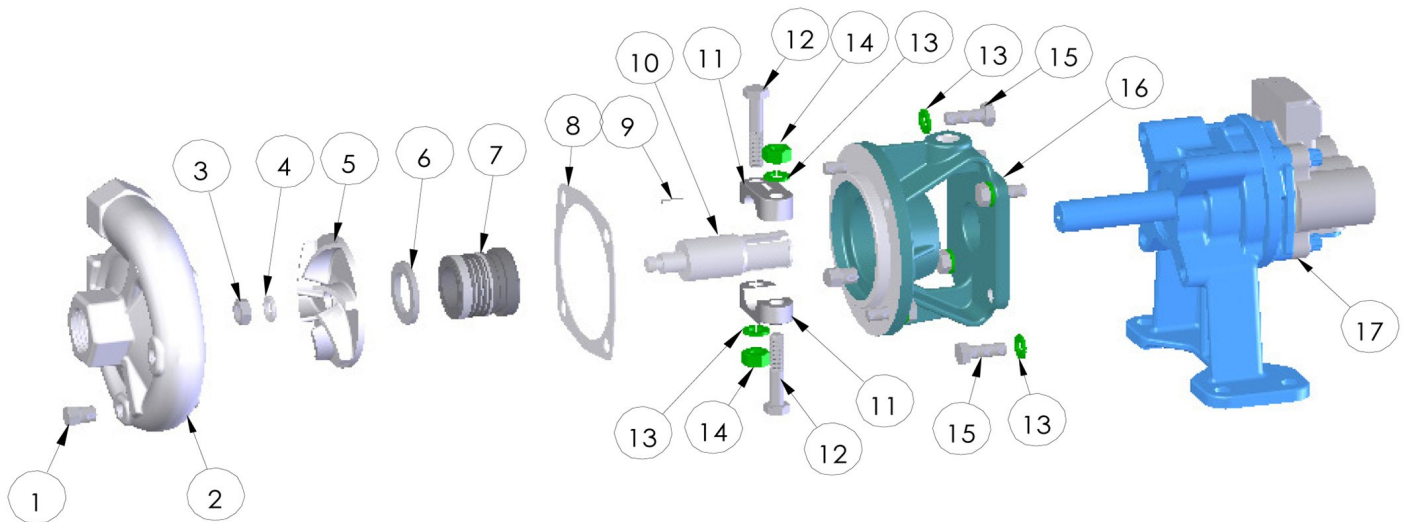
SERIES 30 HYDRAULIC



34800 BENNETT - FRASER, MI 48026-1686
(586) 293-8240 - FAX (586) 293-8469
(800) 563-8006 - www.mppumps.com

SERIES 30 HYDRAULIC

36000



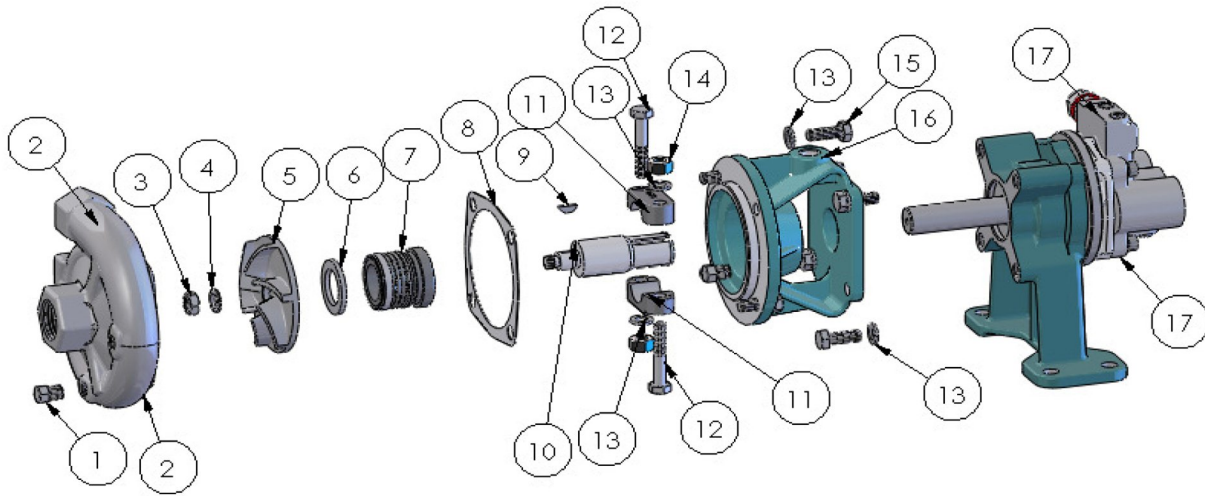
ITEM NO.	PART NO.	DESCRIPTION	QTY.
1	21585	PIPE PLUG- 1/8" NPT	2
2	21107	HOUSING- DUCTILE 1" X 3/4"	1
3	22588	LOCK NUT- 3/8"-24	1
4	31224	LOCK WASHER	1
5	22573	IMPELLER	1
6	31103	WASHER	1
*	7	SEAL ASSEMBLY- VITON	1
*	8	GASKET	1
9	21865	KEY	1
10	22163	DRIVE SLEEVE	1
11	21946	CLAMP- 3/4"	2
12	21264	CAPSCREW SS- 5/16"-18 X 1.75"	2
13	21238	LOCK WASHER- 5/16"	10
14	21284	HEX NUT- 5/16"-18	2
15	21278	CAPSCREW SS- 5/16"-24 X .875"	8
16	22159	ADAPTOR- CAST IRON	1
17	35995	.22 DISP. HYD. PEDESTAL ASY.	1
	36447	.37 DISP. HYD. PEDESTAL ASY.	

*- RECOMMENDED REPLACEMENT PARTS



34800 BENNETT - FRASER, MI 48026-1686
 (586) 293-8240 - FAX (586) 293-8469
 (800) 563-8006 - www.mppumps.com

SERIES 30 HYDRAULIC



ITEM NO.	PART NO.	DESCRIPTION	QTY.	
1	21585	PIPE PLUG- 1/8" NPT	1	
2	21107	HOUSING- DUCTILE 1" X 3/4"	1	
3	22588	LOCK NUT- 3/8"-24	1	
4	31224	LOCK WASHER	1	
5	22573	IMPELLER	1	
6	31103	WASHER	1	
*	7	22273	SEAL ASSEMBLY- VITON	1
*	8	24987	GASKET	1
9	21865	KEY	1	
10	22163	DRIVE SLEEVE	1	
11	21946	CLAMP- 3/4"	2	
12	21264	CAPSCREW SS- 5/16"-18 X 1.75"	2	
13	21238	LOCK WASHER- 5/16"	10	
14	21284	HEX NUT- 5/16"-18	2	
15	21278	CAPSCREW SS- 5/16"-24 X .875"	8	
16	22159	ADAPTOR- CAST IRON	1	
17	36039	.22 DISP. HYD. PEDESTAL ASY.	1	
	36037	.37 DISP. HYD. PEDESTAL ASY.		

*- RECOMMENDED REPLACEMENT PARTS



34800 BENNETT - FRASER, MI 48026-1686
 (586) 293-8240 - FAX (586) 293-8469
 (800) 563-8006 - www.mppumps.com