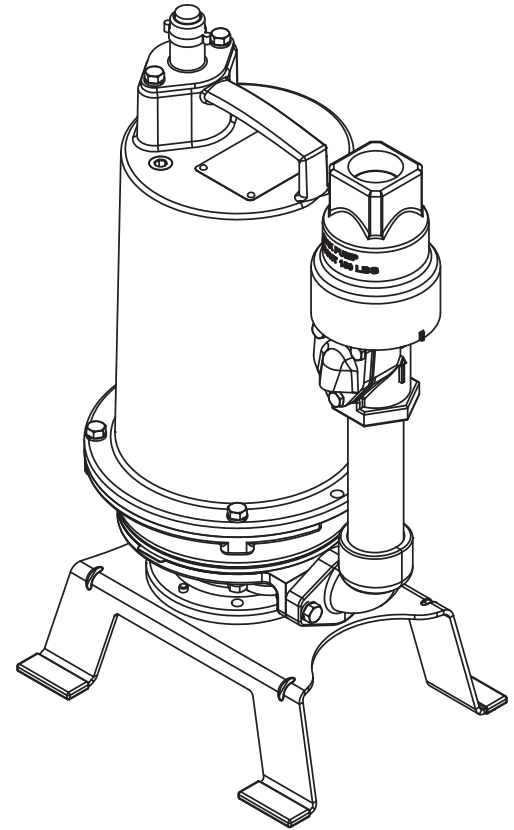


Submersible Grinder Pumps

Specifications:

DISCHARGE1¼" NPT SCH 80, 300 Series SS
 CHECK VALVE1¼" NPT Cast Iron
 StyleFlapper with Integrated Anti-Siphon
 LIQUID TEMPERATURE104°F (40°C) Continuous
 MOTOR HOUSINGCast Iron ASTM A-48, Class 30.
 SEAL PLATECast Iron ASTM A-48, Class 30.
 SUCTION CASING316 Stainless Steel
 IMPELLERStainless Steel
 SHREDDING RINGHardened 440C Stainless Steel
 Rockwell® C-55.
 CUTTERHardened 440C Stainless Steel,
 Rockwell® C-55.
 SHAFT416 Stainless Steel
 SQUARE RINGSBuna-N
 O-RINGSBuna-N
 HARDWARE300 Series Stainless Steel
 PAINTAir Dry Enamel
 SEAL: DesignSingle Mechanical
 MaterialRotating Face - Silicon Carbide
 Stationary Face - Silicon Carbide
 Elastomer - Buna-N
 Hardware - 300 Series Stainless
 CORD ENTRY20ft. (6m) Cord with Plug, Custom Molded
 Quick Connect for Sealing with Strain
 Relief.
 CORD:
 Type14/3 CSA/UL Approved SOW
 SPEED:3450 RPM, 60Hz
 UPPER BEARING:
 DesignSingle Row, Ball, Oil Lubricated
 LoadRadial
 LOWER BEARING:
 DesignSingle Row, Ball, Oil Lubrication
 LoadRadial & Thrust
 MOTOR:
 DesignNEMA, Oil-Filled,
 Squirrel Cage Induction
 InsulationClass F
 TypeCapacitor Start/Capcitor Run
 LEVEL CONTROL:
 A SeriesPipe Mounted, Piggy-Back Mechanical
 with 240V Plug
 OPTIONAL EQUIPMENTAdditional cord



Patent Pending

Series: PGPT
1HP, 3450RPM, 60Hz

DESCRIPTION:

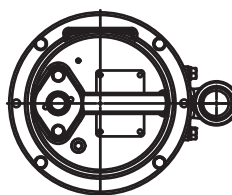
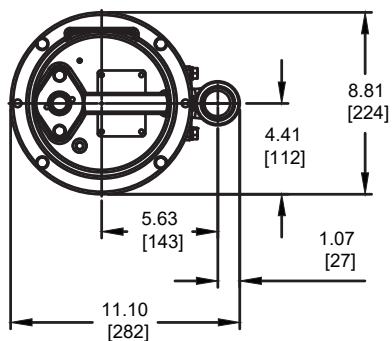
GRINDER PUMP DESIGNED TO REDUCE DOMESTIC SEWAGE TO A FINELY GROUND SLURRY.



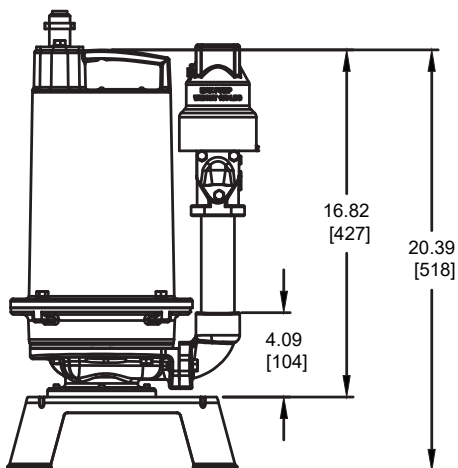
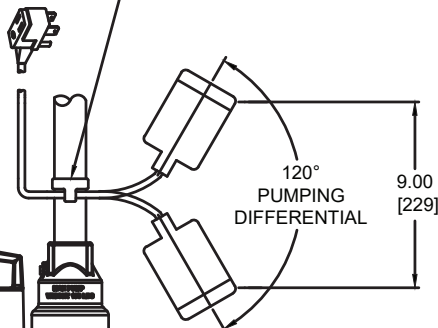
WARNING:
CANCER AND REPRODUCTIVE HARM -
WWW.P65WARNINGS.CA.GOV

Submersible Grinder Pumps

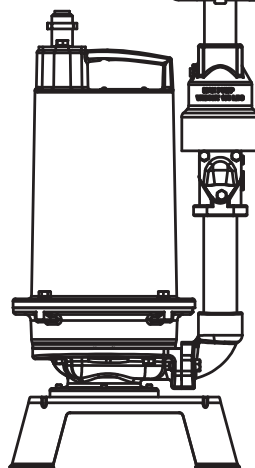
inches
(mm)



FLOAT MUST BE SECURED BEFORE OPERATION!
SEE INSTRUCTIONS INCLUDED WITH FLOAT!



MANUAL



AUTOMATIC

MODEL NO	PART NO	HP (kW)	VOLT	PH/Hz	NEMA START CODE	FULL LOAD AMPS	LOCKED ROTOR AMPS	CORD SIZE	CORD TYPE	CORD O.D. ± .02 (.5) in (mm)	CORD LENGTH FT. (m)
PGPT1022	140708	1 (.75)	240	1 / 60	K	12.5	35.0	14/3	SOW	.61 (15.5)	20 (6.1)
PGPT1022A	140709	1 (.75)	240	1 / 60	K	12.5	35.0	14/3	SOW	.61 (15.5)	20 (6.1)

IMPORTANT !

- PUMP MAY BE OPERATED "DRY" FOR EXTENDED PERIODS WITHOUT DAMAGE TO MOTOR AND/OR SEALS.
- INSTALLATIONS SUCH AS DECORATIVE FOUNTAINS OR WATER FEATURES PROVIDED FOR VISUAL ENJOYMENT MUST BE INSTALLED IN ACCORDANCE WITH THE NATIONAL ELECTRIC CODE ANSI/NFPA 70 AND/OR THE AUTHORITY HAVING JURISDICTION. THIS PUMP IS NOT INTENDED FOR USE IN SWIMMING POOLS, RECREATIONAL WATER PARKS, OR INSTALLATIONS IN WHICH HUMAN CONTACT WITH PUMPED MEDIA IS A COMMON OCCURRENCE.

SECTION E
PAGE 2
DATE 8/16

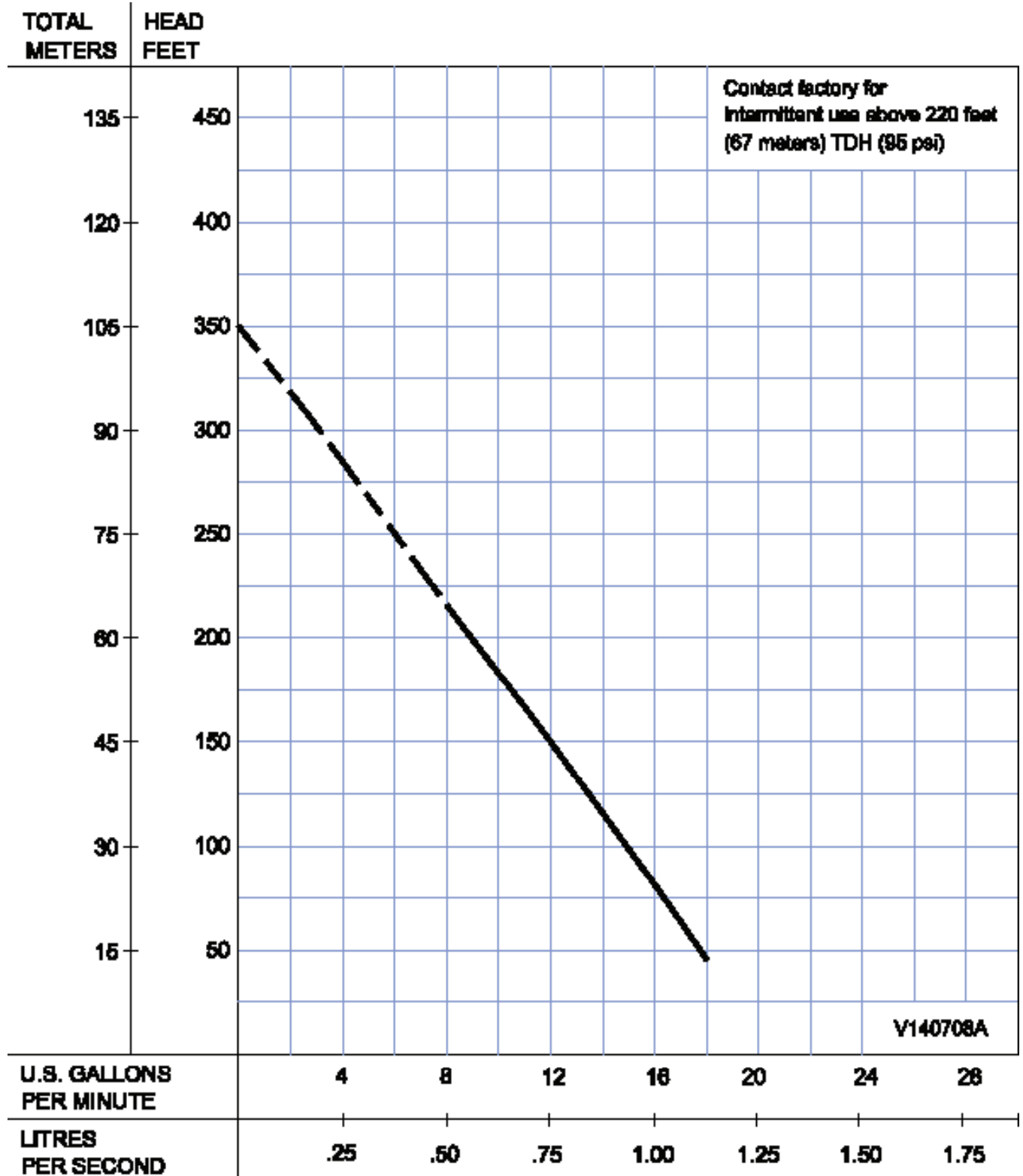
CRANE®

A Crane Co. Company

PUMPS & SYSTEMS

USA: (937) 778-8947 • Canada: (905) 457-6223 • International: (937) 615-3598

Submersible Grinder Pumps



Testing is performed with water, specific gravity 1.0 @ 68° F @ (20°C), other fluids may vary performance