

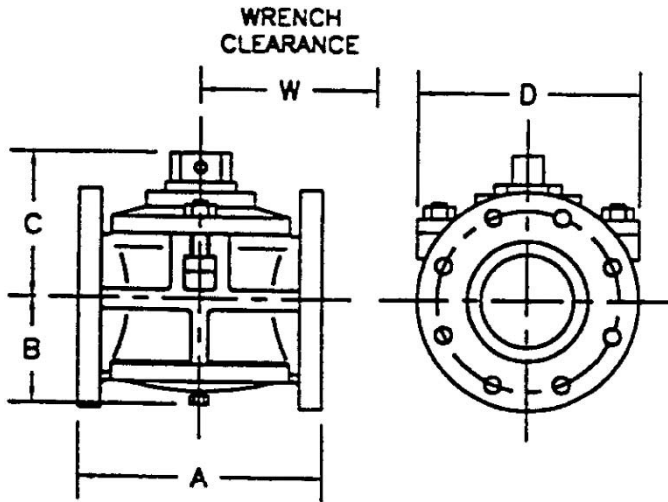
## Hydronic Accessories

ITEM	PAGES
Weinman Hydronics Brochure	
TDV .....	1 - 2
Suction Diffusers .....	3 - 4

## Hydronic Accessories

This page intentionally left blank

## Hydronic Accessories



### Maximum Operating Conditions

Working Temp.	250°F
Working Pressure	175 PSI

### Materials of Construction

Body	A536 Ductile Iron
Check Valve	Cast Iron thru 3" 304 Stainless Steel 4" - 12"
Stem Packing	Nitrile "O" Ring

Flange dimensions per:  
ANSI standard B16.1, Class 125

\* Nominal Pipe Size

\*\* All Flange Holes Tapped on 2½", 3", 4", 6", 8" Valves

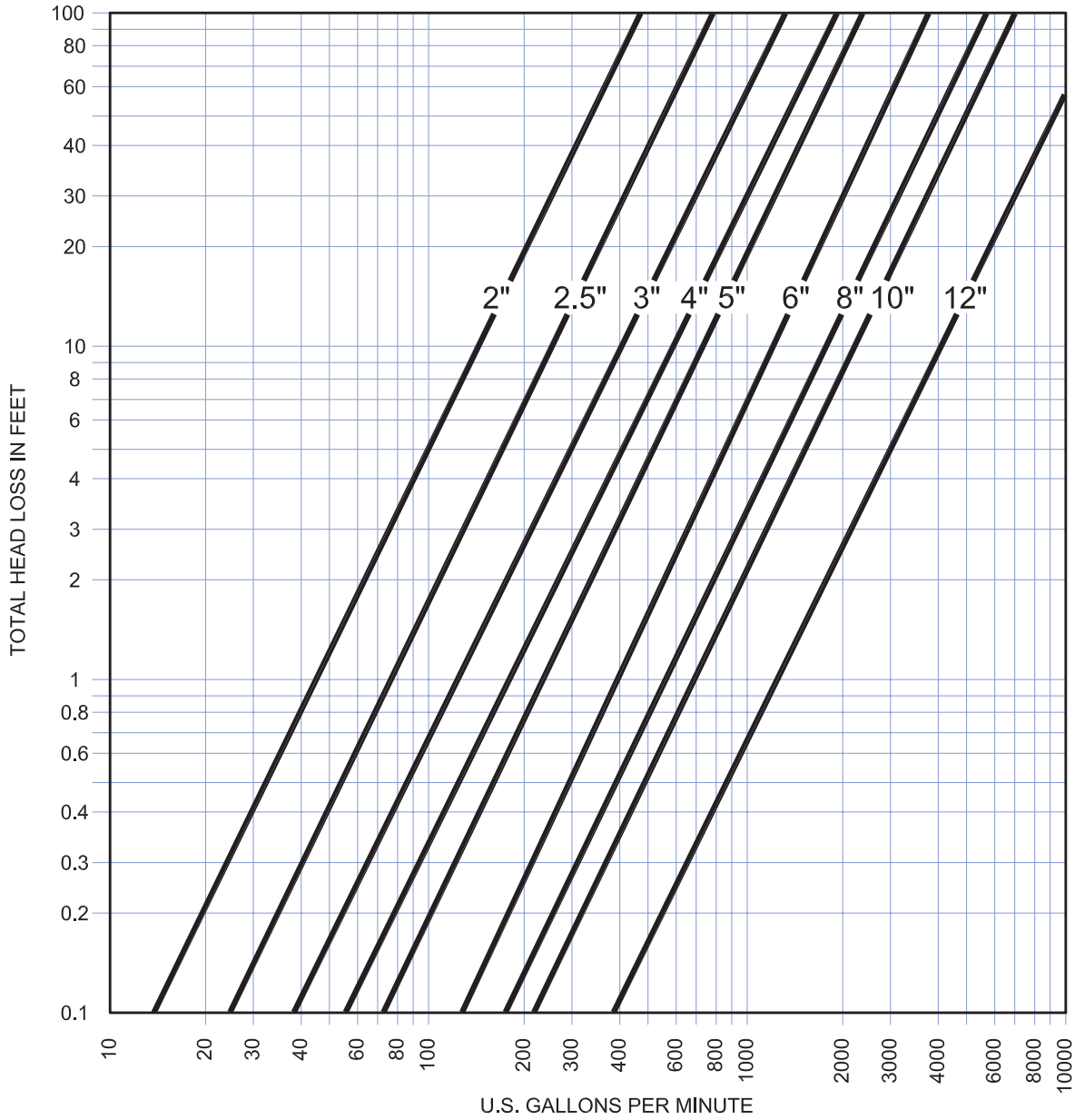
### ANSI B16.1 - 125# Flange Rating

Model No.	Part No.	Dimensions in inches (mm)						Wt. lbs.
		Size	A	B	C	D	W	
W3D-2	132500	2.00"	7.00 (178)	2.13 (54)	4.31 (109)	5.00 (127)	14.00 (356)	19
W3D-2.5	132501	2.50"	8.00 (203)	2.75 (70)	5.75 (146)	6.63 (168)	16.25 (413)	40
W3D-3	132502	3.00"	8.00 (203)	2.75 (70)	5.75 (146)	6.63 (168)	16.25 (413)	42
W3D-4	132503	4.00"	9.00 (229)	3.25 (83)	6.63 (168)	6.75 (171)	16.25 (413)	64
W3D-5	132504	5.00"	10.00 (254)	3.38 (86)	6.63 (168)	6.75 (171)	16.25 (413)	95
W3D-6	132505	6.00"	10.50 (267)	5.00 (127)	7.88 (200)	10.63 (270)	33.13 (842)	122
W3D-8	132506	8.00"	11.50 (292)	5.75 (146)	7.88 (200)	9.00 (229)	33.13 (842)	165
W3D-10	132507	10.00"	16.00 (406)	7.50 (191)	9.88 (251)	10.56 (268)	33.13 (842)	270
W3D-12	132508	12.00"	19.00 (483)	9.31 (236)	11.38 (289)	13.38 (340)	33.13 (842)	385

Job Name	Sales Representative	
Location	Model No. Ordered	
	Capacity	Liquid
Engineer	Notes	
Contractor		
Contractor P.O. No.		

## Hydronic Accessories

### TDV Pressure Drop



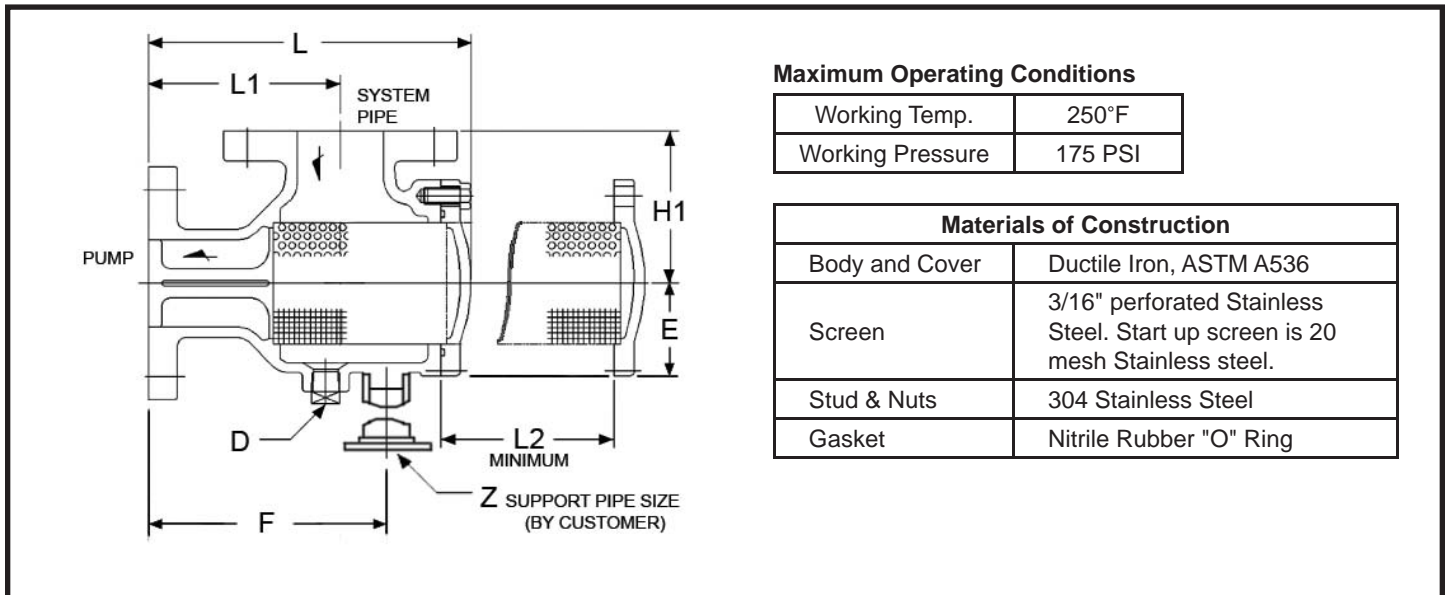
<b>Job Name</b>		<b>Sales Representative</b>	
<b>Location</b>		<b>Model No. Ordered</b>	
		<b>Capacity</b>	<b>Liquid</b>
<b>Engineer</b>			
<b>Contractor</b>		<b>Notes</b>	
<b>Contractor P.O. No.</b>			

SECTION 1800  
PAGE 2  
DATE 6/11



## PUMPS & SYSTEMS

## Hydronic Accessories



### Maximum Operating Conditions

Working Temp.	250°F
Working Pressure	175 PSI

### Materials of Construction

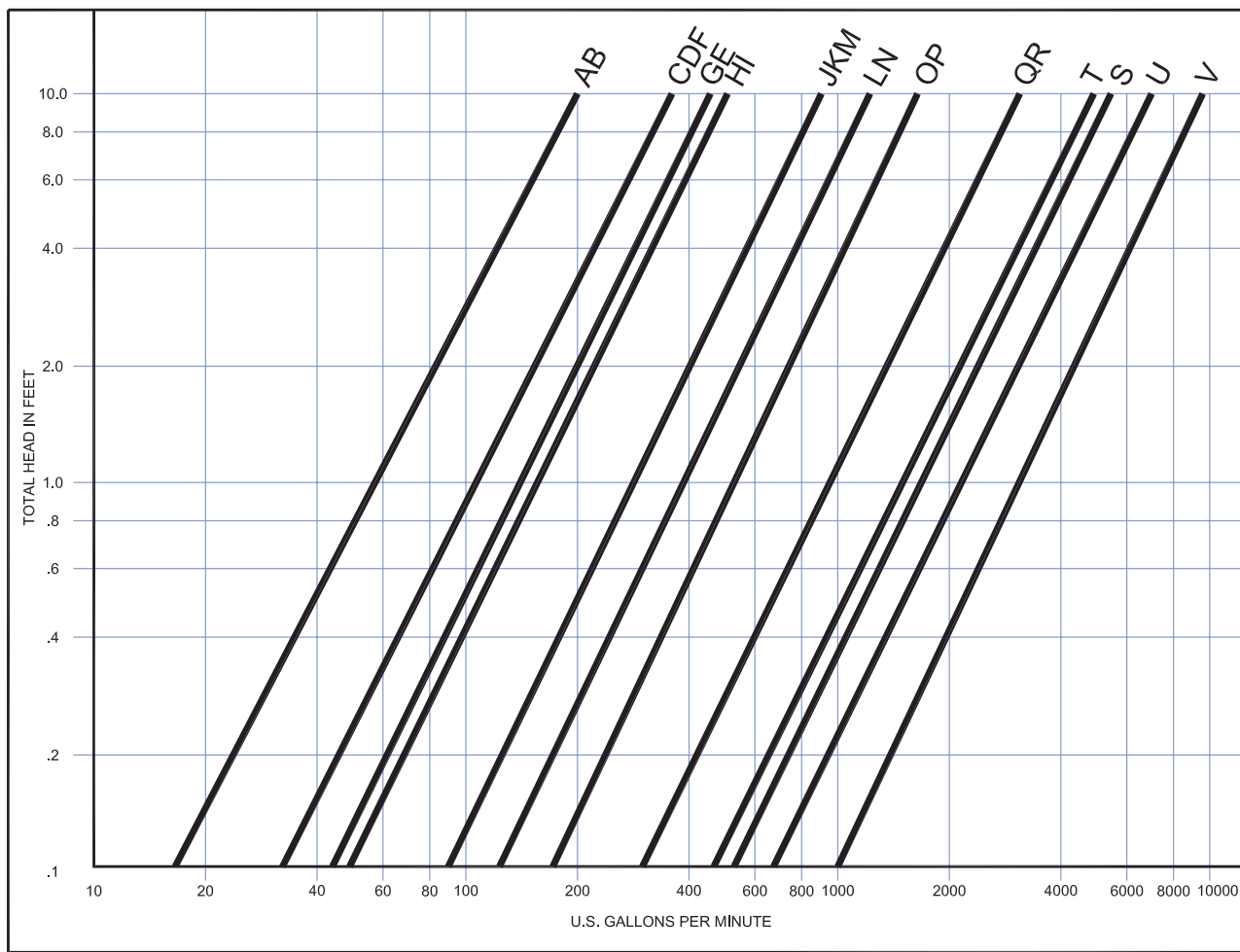
Body and Cover	Ductile Iron, ASTM A536
Screen	3/16" perforated Stainless Steel. Start up screen is 20 mesh Stainless steel.
Stud & Nuts	304 Stainless Steel
Gasket	Nitrile Rubber "O" Ring

### ANSI B16.1 - 125# Flange Rating

Model No.	Part No.	Sys. Pipe	Pump	Dimensions in inches (mm)							D (NPT)	Z (SCH. 40)	Pres. Loss Curve Ref.	Wt. Lbs.
				L	L1	L2 minimum	H1	E	F					
WSD2X1.5	132964	2"	1.5"	9.38 (238)	4.50 (114)	8.82 (224)	4.50 (114)	2.19 (56)	6.13 (155)	3/4"	1.00 (25)	B	21	
WSD2X2	132482	2"	2"	9.38 (238)	4.50 (114)	8.82 (224)	4.50 (114)	2.19 (56)	6.13 (155)		1.00 (25)	C	23	
WSD2.5X2	132965	2.5"	2"	10.38 (263)	5.00 (127)	9.38 (238)	5.00 (127)	3.13 (80)	6.57 (167)		1.00 (25)	D	32	
WSD2.5X2.5	132483	2.5"	2.5"	10.38 (263)	5.00 (127)	9.38 (238)	5.00 (127)	3.13 (80)	6.57 (167)		1.00 (25)	E	34	
WSD3X2	132493	3"	2"	8.13 (207)	4.25 (108)	5.00 (127)	4.69 (119)	3.13 (80)	5.63 (143)		1.00 (25)	F	37	
WSD3X2.5	132484	3"	2.5"	8.25 (210)	4.38 (112)	5.00 (127)	4.69 (119)	3.13 (80)	5.75 (146)		1.00 (25)	G	49	
WSD3X3	132485	3"	3"	9.38 (239)	4.75 (121)	5.25 (134)	4.75 (121)	3.63 (92)	6.63 (169)		1.00 (25)	H	55	
WSD4X3	132486	4"	3"	9.38 (239)	4.75 (121)	5.25 (134)	5.63 (143)	3.63 (92)	6.63 (169)		1.00 (25)	I	57	
WSD4X4	132487	4"	4"	11.13 (283)	5.75 (146)	6.75 (172)	5.75 (146)	4.25 (108)	7.63 (194)		1.25 (32)	J	92	
WSD5X4	132488	5"	4"	11.13 (283)	5.75 (146)	6.75 (172)	6.63 (169)	4.25 (108)	7.63 (194)		1.25 (32)	K	97	
WSD5X5	132489	5"	5"	12.63 (321)	6.50 (165)	7.13 (181)	6.50 (165)	4.88 (124)	8.63 (219)	1"	1.25 (32)	L	101	
WSD6X4	132490	6"	4"	11.13 (283)	5.75 (146)	6.75 (172)	7.50 (191)	4.25 (108)	7.75 (197)	3/4"	1.25 (32)	M	104	
WSD6X5	132491	6"	5"	12.63 (321)	6.50 (165)	7.13 (181)	7.38 (188)	4.88 (124)	8.63 (219)	1"	1.25 (32)	N	145	
WSD6X6	132492	6"	6"	13.88 (353)	7.00 (178)	7.88 (200)	7.00 (178)	5.88 (150)	9.13 (232)		2.00 (51)	O	182	
WSD8X6	132494	8"	6"	13.88 (353)	7.00 (178)	7.88 (200)	8.75 (222)	5.88 (150)	9.13 (232)		2.00 (51)	P	197	
WSD8X8	132495	8"	8"	18.88 (480)	9.25 (235)	16.25 (413)	9.25 (235)	6.38 (162)	11.63 (296)		2.00 (51)	Q	292	
WSD10X8	132496	10"	8"	18.88 (480)	9.25 (235)	16.25 (413)	11.00 (279)	6.38 (162)	11.63 (296)		2.00 (51)	R	312	
WSD10X10	132497	10"	10"	23.88 (607)	11.00 (279)	16.13 (410)	11.25 (286)	8.00 (203)	13.75 (349)		2.00 (51)	S	398	
WSD12X8	132974	12"	8"	18.88 (480)	9.25 (235)	16.25 (413)	12.00 (304)	6.38 (162)	11.63 (296)		2.00 (51)	T	412	
WSD12X10	132498	12"	10"	23.88 (607)	11.00 (279)	16.13 (410)	12.00 (304)	8.00 (203)	13.75 (349)		2.00 (51)	U	491	
WSD12X12	132499	12"	12"	26.00 (661)	12.00 (304)	18.13 (461)	12.00 (304)	9.25 (235)	13.88 (353)		2.00 (51)	V	573	

<b>Job Name</b>	<b>Sales Representative</b>	
<b>Location</b>	<b>Model No. Ordered</b>	
<b>Engineer</b>	<b>Capacity</b>	<b>Liquid</b>
<b>Contractor</b>	<b>Notes</b>	
<b>Contractor P.O. No.</b>		

## Hydronic Accessories



Flow - US GPM (70°F Water)

Job Name		Sales Representative	
Location		Model No. Ordered	
		Capacity	Liquid
Engineer		Notes	
Contractor			
Contractor P.O. No.			

SECTION 1800  
PAGE 4  
DATE 6/11



A Crane Co. Company

## PUMPS & SYSTEMS