

CECO Fybroc

FYBROC[®] SERIES 3000

RECESSED IMPELLER HORIZONTAL PUMPS

Corrosion

Resistant FRP

- ✓ Fiberglass Reinforced VR-1 Vinyl Ester

6 Sizes

- ✓ Flows to 2400 GPM
- ✓ Heads to 130 feet TDH

For Heavy Duty

Pumping

Applications

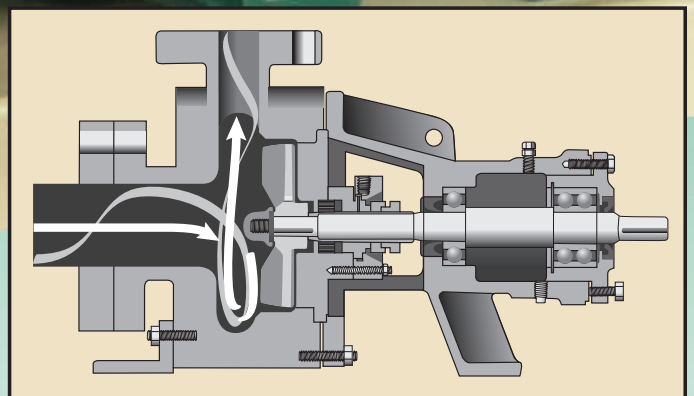
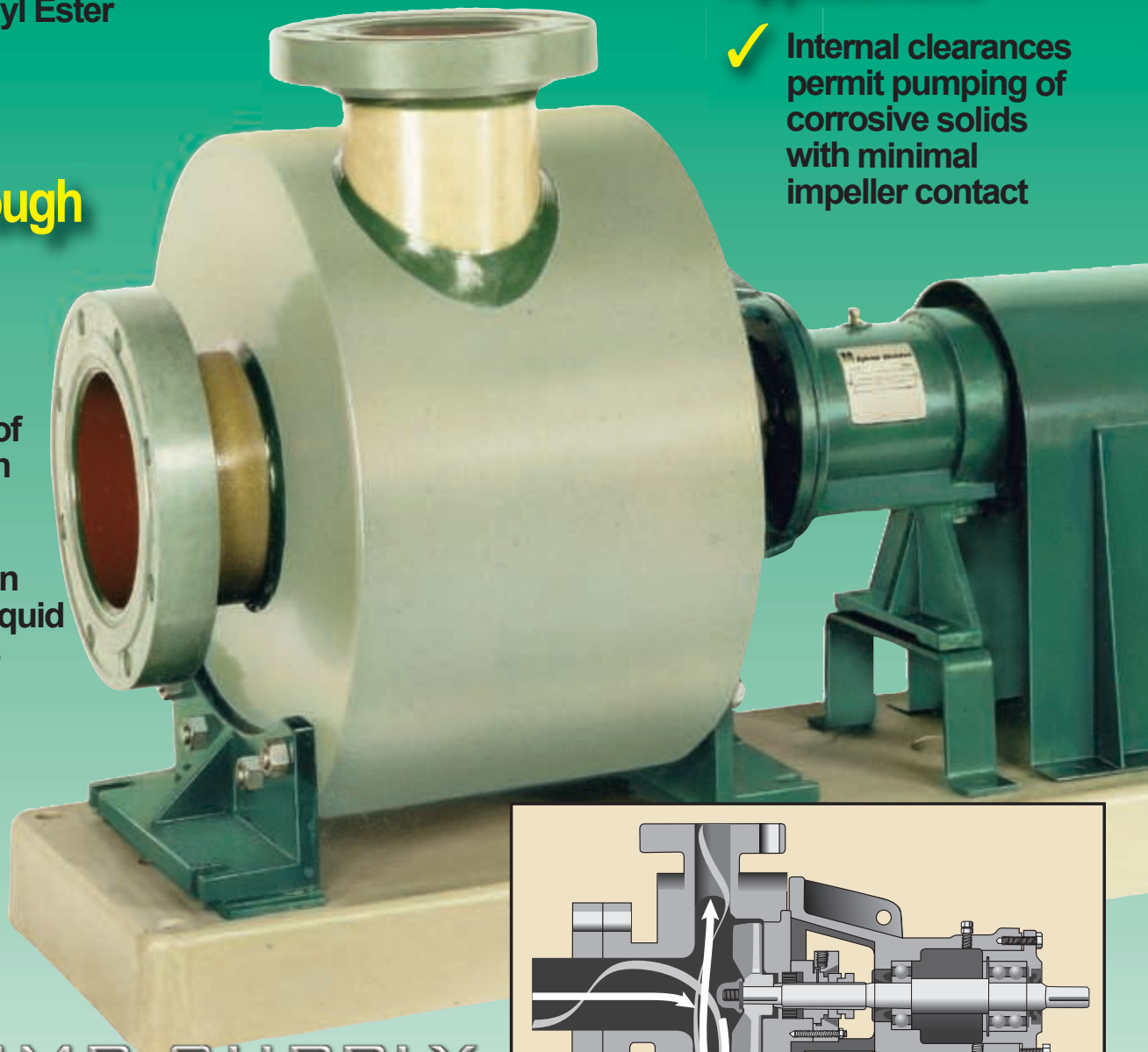
- ✓ Internal clearances permit pumping of corrosive solids with minimal impeller contact

Smooth

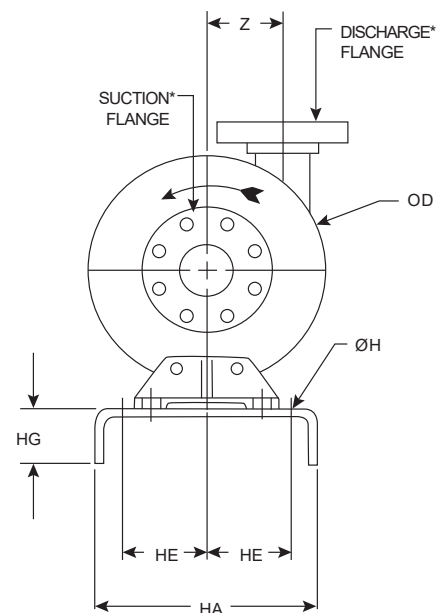
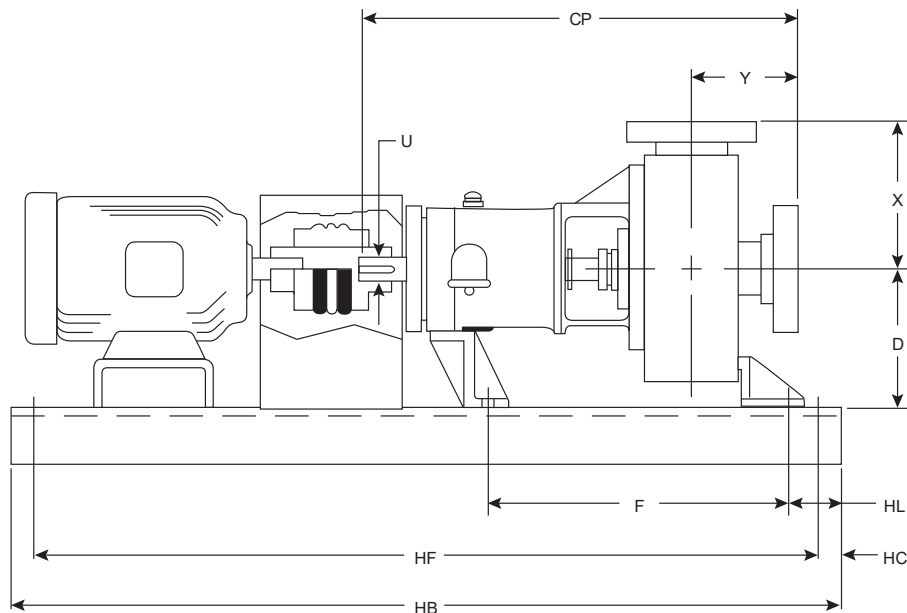
Flow-Through

Pumping

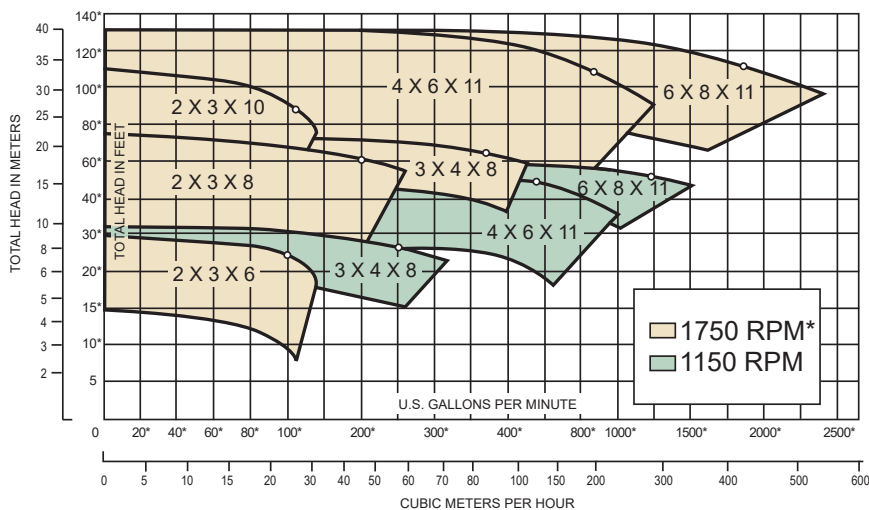
- ✓ Impeller located outside of flow path
- ✓ Less than 10% of liquid contacts impeller



PUMP SUPPLY
INCORPORATED



PUMP SIZE	SUCT.	DISCH.	D	F	U	X	Y	Z	CP	OD	MOTOR FRAME	HA	HB	HC	HE	HF	HG	HL	H
2X3X6	3	2	5 1/4	13 7/16	7/8	7	4 1/2	3	19 3/4	10	143T-145T	10	39	1 1/4	4	36 1/2	2 5/8	2 15/16	3/4
											182T-184T					38 1/2			
											213T-215T					40 1/2			
2X3X8	3	2	8 1/4	19 7/8	1 1/8	9 1/2	5 1/2	4 1/4	27 3/8	14	182T-215T	15	52	1 1/4	6	49 1/2	3 1/2	4	3/4
											254T-256T					55 1/2			
											182T-215T					52			
3X4X8	4	3	8 1/4	20 5/16	1 1/8	11	6	4 1/2	28 5/8	15	182T-215T	15	52	1 1/4	6	49 1/2	3 1/2	3 1/2	3/4
											254T-256T					60			
											182T-215T					57 1/2			
2X3X10	3	2	9	18 1/8	1 3/8	11	5	5 3/8	25 1/2	16 1/4	182T-184T	15	48	1 1/2	6	45	3 1/2	2 13/16	3/4
											213T-256T					55			
											254T-256T					52			
4X6X11	6	4	11	23 3/4	1 5/8	12 1/2	7	6	32 1/8	20 1/2	254T-256T	18	68 1/2	1 1/4	7 1/2	66	4	4 5/8	3/4
											284T-326T					70			
											284T-326T					67 1/2			
6X8X11	8	6	12 1/2	27 3/4	1 5/8	15 1/2	10 1/2	5 3/4	37 13/16	23	284T-326T	26	70	2 1/2	11	65 1/2	4	3	1



Specifications

- ✓ Free-standing concentric casing
- ✓ 150 lb. flanged connection
- ✓ Tangential discharge
- ✓ Semi-open, radial-vaned, non-clog recessed impeller keyed to pump shaft
- ✓ Heavy duty power frame
- ✓ Back pullout design



700 Emlen Way • Telford, PA 18969
 P: 215.723.8155 • TOLL-FREE: 800.392.7621 • F: 215.723.2197
 infoFHS@OneCECO.com • www.cecoenviro.com/fybroc

