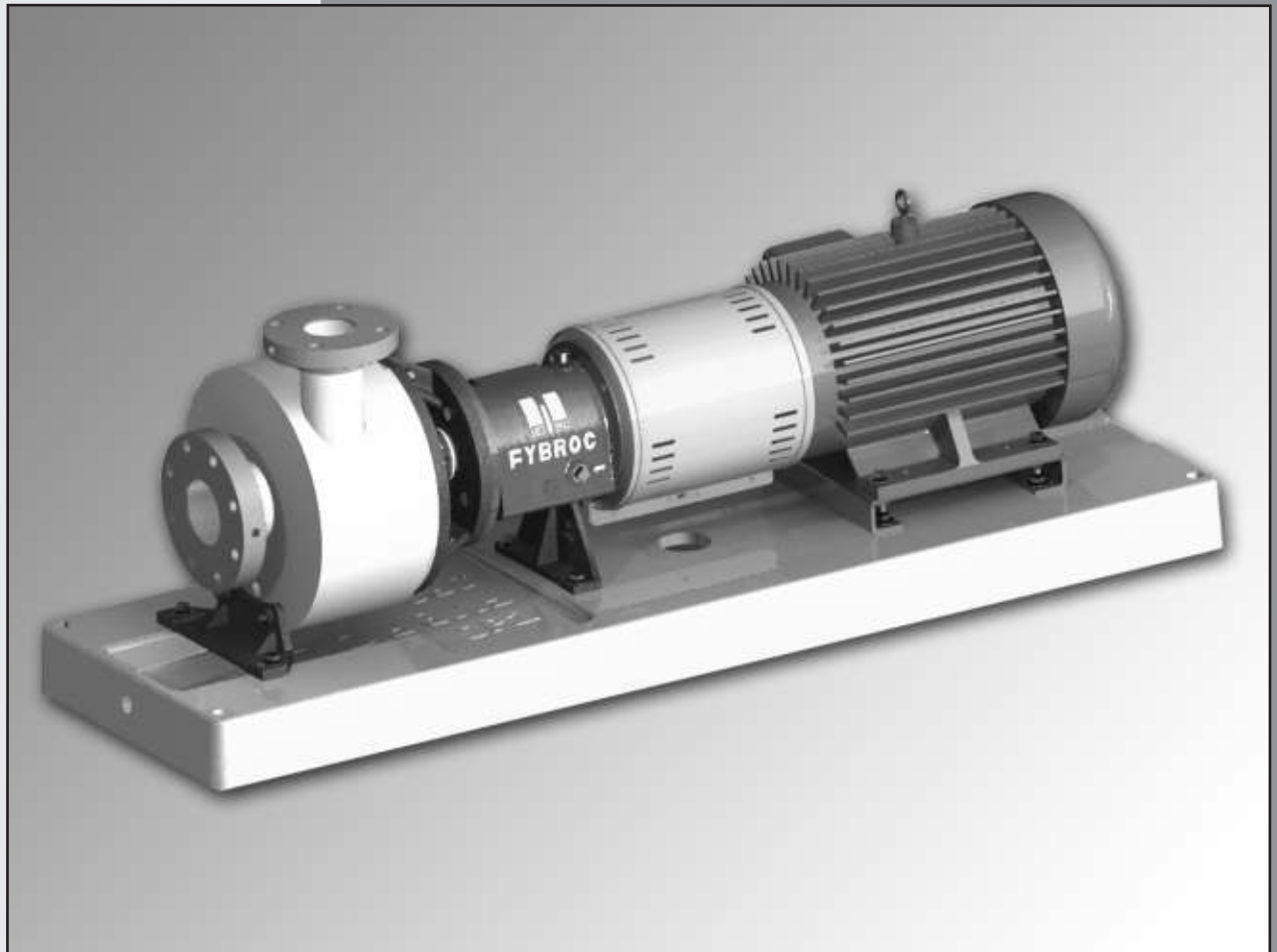


CECO Fybroc



Fybroc® Series 3000 Horizontal Pumps

INSTALLATION MANUAL *



* IOM incorporates the use of the Series 1500/1600 bearing frame assembly for interchangeability purposes and for pumps manufactured after May 2011.

INDEX

	Page		Page
Fybroc Warranty	3	Assembly/Disassembly Procedures	10
Installation Instructions	4	General	10
Location	4	Disassembly	10
Foundation	4	Power-frame Disassembly	11
Initial Alignment	4	Power-frame Assembly	12
Piping the Pump	5	Pump End Assembly	13
Suction Piping	5	John Crane Type 8B2	13
Discharge Piping	5	John Crane Type 8-1T	14
Ancillary Piping	5	Installation Instructions Flex-Type Couplings	15
Electrical Connections	6	Operational Start-up Checklist	17
Rotation	6	Exploded View Drawings	
Alignment and Coupling Installation	6	3306-24 (2x3x6)	18
Start-up and Operating Procedures	7	3308-24/30 (2x3x8/3x4x8)	19
Lubrication	7	3310-24 (2x3x10)	19
Oil Bath Lubrication	7	3311-34 (4x6x11)	20
Re-Greasable Bearings	7	Typical Mechanical Seal Installations	21
Greased for Life Bearings	7	Product Flush	21
Seal Flushing	7	External Flush	22
Mechanical Seals	7	Mechanical Seal Piping/Flow Requirements	23
Packed Stuffing Box	7	Single Mechanical Seal	23
Priming	7	Double Mechanical Seal	24
Starting	7	Notes	25
Operational Check List	8	Notes	26
Maintenance	8		
Pump	8		
Oil Bath Lubrication	8		
Re-Greasable Bearings	8		
Greased for Life Bearings	8		
Motor	8		
Trouble Check List	9		

ORDERING REPLACEMENT PARTS
For future reference fill in the following information from the pump nameplate. This will be necessary to ensure accuracy when ordering replacement parts.
Model _____
Size _____
Serial Number _____
Impeller Diameter Installed _____
Seal Type _____
Material of Construction _____

CECO Fybroc

WARRANTY

FYBROC pumps are warranted by the Company, insofar as the same are of its own manufacture, against defects in materials and workmanship under proper and normal use and service, for a period of one year from the date of original shipment from the factory. FYBROC's obligation is limited, however, to furnishing without charge, F.O.B. its factory, new parts to replace any similar parts of its own manufacture so proving defective within said period, provided the Buyer has given FYBROC immediate written notice upon discovery of such defect. No allowance will be made for labor charges. FYBROC shall have the option of requiring the return of the defective material, transportation prepaid, to establish the claim.

FYBROC makes no warranty or guarantee whatsoever, either express or implied, of prime mover, starting equipment, electrical apparatus, parts or material not manufactured by Fybroc, except to the extent that warranty is made by the manufacturer of such equipment and material.

FYBROC assumes no liability for damages or delays caused by defective material, and no allowance will be made for local repair bills or expenses without the prior written approval or authority of FYBROC.

Under no circumstances will FYBROC be liable for indirect, special or consequential loss or damage of any kind and the Buyer assumes all liability for the consequences of its use or misuse by the Buyer, his employees, or others.

PERFORMANCE GUARANTEE

Is at the specified point of rating only and will not cover performance under conditions varying therefrom, nor for sustained performance over any period of time.

ACCEPTANCE TESTS

If required, shall be conducted in accordance with the practices as set forth in the Hydraulic Institute Standards. The expense of any such tests shall be borne by the buyer.

PERFORMANCE REPRESENTATIONS

Are based on shop laboratory tests with cold water as outlined in the Hydraulic Institute Standards.

FIELD TESTING

Due to the inaccuracies of field testing, the results of any such tests conducted by or for the Buyer shall be interpreted as being only indicative of the actual field performance of the pump. No equipment will be furnished on the basis of acceptance by results of field tests. If the buyer, after such a test, questions the performance of the pump, he may at his option request a test to establish the performance. Such tests will be conducted in accordance with the above paragraph entitled "Acceptance Tests."

ALL WARRANTIES

Are void if -

- a. Pipe strains are the cause of damage.
- b. Pump handles liquids other than those specified in detail.
- c. NPSH lower than required by pump impeller.
- d. Operating speed is higher than specified.
- e. Improper field installation.

RECOMMENDATIONS FOR SPECIAL MATERIALS

To combat corrosion, abrasion, erosion, or pumping solids, foreign objects, or pumping liquids at elevated temperature, any such recommendations will be based on the best available experience of FYBROC and the supplier of the material and industry, BUT WILL NOT CONSTITUTE A GUARANTEE AGAINST THESE EFFECTS.

The foregoing warranty is made in lieu of all other warranties, guarantees, obligations or liabilities, expressed or implied, by FYBROC or its representatives. All statutory or implied warranties, other than of title, are hereby expressly negated and excluded.

All illustrations and provisions in specifications are descriptive and are not intended as warranties. Penalty of any kind are not acceptable unless approved in writing by an officer of Met-Pro Corporation.

INSTALLATION HORIZONTAL PUMPS

LOCATION

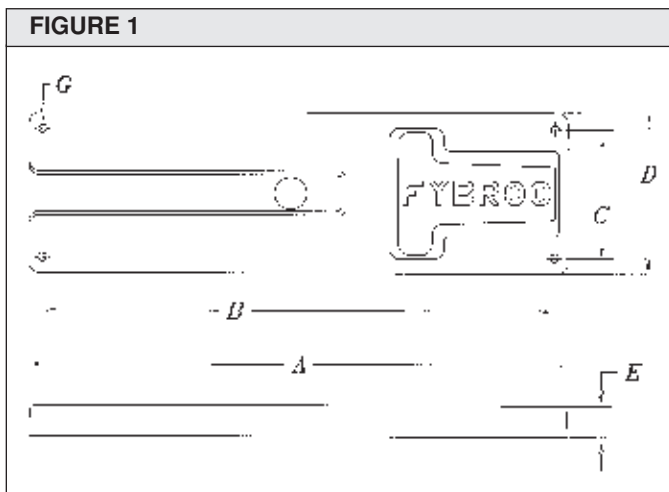
The pump should ideally be placed as close as possible to the liquid supply source. Allow sufficient space on the sides and overhead to permit inspection and maintenance work to be performed.

FOUNDATION

The foundation for the pump should be level, provide rigid support and alignment of pump and motor. It should also be of sufficient mass to dampen any vibrations developed. Typically this is accomplished by installing and grouting a Fybroc baseplate on a concrete foundation.

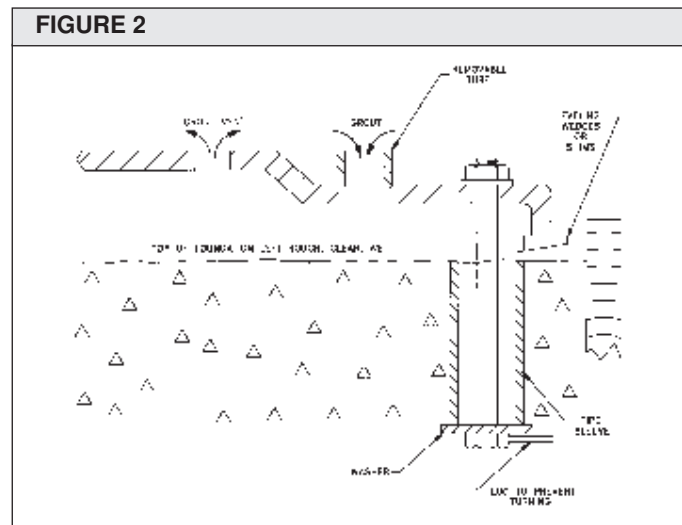
Foundation bolts of the proper size should be imbedded in the concrete with anti-rotation lugs, located by a drawing or template. (See Figure 1 and Table 1 below for bolt-size and locations). A pipe sleeve larger than the bolt should be used to allow enough lateral movement for final positioning of the bolts. (See Figure 2 below). Leveling wedges or shims should be placed under the sides of the baseplate to level the unit and the foundation bolts slightly tightened.

A wood form can now be built around the edge of the baseplate to contain the grout. The top of the rough concrete foundation should be wetted down prior to grouting. A good grade of non-shrinking grout can now be poured through the fill hole on the top of the fiberglass baseplate. On baseplates with raised motor mounting sections, a short length of pipe or tubing can be fitted into the grout hole to allow the grout to completely fill the raised section to the baseplate up to the vent hole in the raised section, as shown in figure below. Once the grout starts to set, the extension can be removed, leaving the grout level with the top of the baseplate. Once the grout has fully hardened, usually about 48 hours after pouring, the foundation bolts can be fully tightened.



Base Plate	A	B	C	D	E	G	Bolt Size
SP-1	50	47 1/2	12	15	2 7/8	3/4	1/2
SP-2	65	62 1/2	17	20	4	1	3/4

NOTE: Dimensions A & B are maximums and may be less depending on pump/motor size.



INITIAL ALIGNMENT

Final alignment of the pump and driver through the flexible coupling is of **extreme importance** for trouble free mechanical operation. If the driver was mounted at the factory, the unit was rough aligned with plastic shims prior to shipment. These shims are not to be considered permanent and should be replaced with metal shims during final alignment. In addition, during transit and subsequent handling any factory alignment may be disturbed. All units must be re-aligned after installation and/or maintenance.

The following steps are suggested to establish the initial alignment of the pump unit:

- 1) Be sure the foundation bolts are tight.
- 2) Be sure the casing and frame feet are tight.
- 3) Use metal shims under the driver feet to establish parallel and angular alignment of pump and motor shafts.

PIPING THE PUMP

Piping must not be connected to the pump until base, pump, and driver are initially aligned, failure to do so may result in the inability to attain proper alignment later.

WARNING: ALL FLANGED CONNECTIONS TO THE PUMP SHOULD BE FULL FLAT FACE WITH FULL CONTACT GASKETS. RAISED FACE FLANGES OR PARTIAL CONTACT GASKETS SHOULD NOT BE USED AS EXCESSIVE STRAINS CAN BE APPLIED TO THE PUMP FLANGES UPON TIGHTENING.

The pump has been designed with all necessary strength factors for long, reliable service life. However, due to the composite construction, care must be taken during installation to avoid unnecessary pipe strain. If severe piping strains are to be encountered, flexible connections are recommended in the suction and discharge pipe lines. When lined piping is used, flange alignment should be carefully checked. Spacer ring gaskets are recommended to assure parallel alignment of pipe and pump flanges. The following flange bolt torque values should be used:

Flange Size	Bolt Torque
1 1/2"	9-12 ft-lbs
2"	18-24 ft-lbs
3"	23-30 ft-lbs
4"	27-36 ft-lbs
6" & Larger	35-50 ft-lbs

All piping must be supported independently of the pump. The piping should always line up naturally with the pump flanges. Never draw the piping to the suction or discharge flanges of the pump. Outside installations should be properly compensated for changes in ambient temperatures. Refer to pipe manufacturers standards for proper installation. Omission of this could result in severe strain transmitted to the pump flanges.

The piping should be as short and direct as possible. Avoid all unnecessary elbows, bends and fittings, as they increase friction losses in the piping.

SUCTION PIPING

A) To minimize friction loss, the length of the suction pipe (from process to pump inlet) should be as

short as possible. It is important that NPSH available to the pump is greater than the NPSH required by the pump, long suction runs greatly affect NPSH and should be considered carefully. See pump performance curve for NPSH requirements.

- B) The diameter of the suction pipe should be as large as the pump suction. If long suction runs are encountered, the suction pipe diameter should be increased to reduce the NPSH required.
- C) Increases or reducers, if used, should be eccentric and installed with the eccentric side on the bottom of the pipe to prevent air traps.
- D) Elbows, fittings, valves or expansion joints should be avoided at the suction flange. Allow a straight run of at least 10 pipe diameters into the suction of the pump.
- E) If a valve is to be installed in the suction piping, only full flow valves offering a minimum flow disturbance should be used (ball, plug types). These valves should be for shut-off only when the pump is not running, and not for throttling or controlling flow. Centrifugal pumps should never be throttled on the suction side.
- F) Provisions for a suction pressure gauge should be included.

DISCHARGE PIPING

- A) Installation of a valve in the discharge line that can be used as a block for inspection and maintenance is recommended. It should be of a design to allow throttling or flow control.
- B) The diameter of the discharge pipe should be as large or larger than the pump discharge.
- C) Provision for a discharge pressure gauge should be included.

ANCILLARY PIPING

- A) The diameter of the ancillary or seal piping should be large enough to meet the seal flushing requirements. Typically this is 1/4-1/2 GPM at a pressure of 15-25 PSI above the suction pressure for most mechanical seals. Refer to pages 25 and 26 for recommended seal flush flow rates and piping installations.
- B) Where the ancillary piping is connected to the pump only plastic fittings shall be used.

WARNING: FAILURE TO USE PLASTIC FITTINGS MAY RESULT IN DAMAGE TO THE PUMP.

- C) Many modern flush systems incorporate electrically actuated solenoid valves to conserve and control the flow of flush liquids, ensure that the flush liquid is flowing to the seal before the pump is started.
- D) On double seal arrangements with flush in and flush out connections, flow control valves should be installed in the flush out or downstream side.

The pump shaft should turn freely by hand after the piping has been connected to the pump. This is to insure that the piping has not caused binding in the pump. If binding occurs, check alignment and realign if necessary.

ELECTRICAL CONNECTIONS

- A) All electrical work done to the unit should be done by a qualified electrician. All local, state and federal electrical codes should be adhered to.
- B) Before any motor wiring is done, make sure motor shaft is disengaged from pump shaft by removing coupling sleeve.

WARNING: DO NOT START 3000 SERIES PUMPS WITH COUPLING SLEEVE INSTALLED UNTIL CORRECT MOTOR ROTATION HAS BEEN DETERMINED, AS DAMAGE COULD RESULT FROM REVERSE ROTATION.

- C) Wire motor according to motor manufacturers instructions. Ensure that all connections and covers are tight and that proper sized wire and switch-gear are used.

ROTATION

All pumps operate in a clockwise direction when viewed from the coupling end of the pump shaft, (see direction arrow on the pump bearing-frame). Connect electric motor to power supply and jog motor to check rotation. If motor is operating in wrong direction, reverse leads and recheck. With correct motor rotation established, reinstall coupling sleeve and coupling guard.

WARNING: DO NOT START PUMP WITH COUPLING SLEEVE ENGAGED UNTIL BEARING FRAME HAS BEEN PROPERLY LUBRICATED AND MECHANICAL SEAL IS PROPERLY FLUSHED.

ALIGNMENT AND COUPLING INSTALLATION

Accurate alignment of the pump and driver is of extreme importance for long term trouble-free mechanical operation.

Closer alignment will result in reduced vibration levels and longer expected bearing life. Most Fybroc pumps are supplied with flex-type couplings as standard equipment, for specific installation instructions refer to page 15. If a different coupling is supplied, specific installation instructions will be included with the pump.

START-UP AND OPERATING PROCEDURES

LUBRICATION

Oil Bath Lubrication

When the power-frame is the oil bath lubrication type (standard construction), the bearing frame housing is **NOT** lubricated at the Fybroc factory. Lubricant **MUST** be added to the bearing frame prior to pump start-up.

A high-quality turbine type non-detergent oil, with rust and oxidation inhibitors should be used. For the majority of operating conditions, the oil temperature should run between 50°F (10°C) and 180°F (82°C). In this range, an oil of 300 SSU viscosity at 100°F (38°C), (approximately SAE-20) should be used.

Remove the oil fill plug (Item 19) and fill the bearing-frame with oil through the oil fill port. Add oil until the oil level is centered in the sight glass (Item 19G). There is an arrow in the casting to mark the center of the sight glass.

WARNING: DO NOT FILL BEARING FRAME THROUGH THE BREATHER CONNECTION AS OVER FILLING IS POSSIBLE, RESULTING IN OIL LEAKAGE AND EXCESSIVE BEARING TEMPERATURES.

Approximate Bearing Frame Oil Capacity:

3306 – 3/4 pint

3308/3310/3311 – 2 1/2 pints

Re-Greasable Bearings

When the power-frame assembly is the re-greasable bearing type, the bearings are initially lubricated at the factory.

Greased For Life Bearings

When the power-frame assembly is supplied with greased for life bearings there is no action required.

SEAL FLUSHING

Mechanical Seal

Do not operate the pump without liquid to the mechanical seal. Depending on the flush arrangement of the pump, the fluid to the seal may be piped from the pump discharge externally or internally, or from an external clean source. If the pump is fitted with an internal or bypass flush arrangement, then the pump must be flooded with liquid prior to starting to ensure that the mechanical seal is lubricated. If the pump is equipped for an external flush system, then flush liquid must be supplied to the seal prior to

starting. Proper flow for external flushing will vary from 1/4 to 1/2 GPM at a pressure of 15 to 25 PSI above the stuffing box pressure.

Packed Stuffing Box

This method of sealing the pump requires an external flush line for the intake of flush liquid. The flush line must supply liquid to the packing prior to operation. The packing gland must be adjusted at start-up of the pump for proper operation. When the pump is put into operation, the gland should be considerably loose. After the pump is operating, the gland should be slowly tightened to reduce the amount of leakage. Each time the packing is tightened the amount of flush liquid will decrease, however as the packing warms up it will swell slowing the flow of flush liquid even more. A slight flow of liquid from the stuffing box is necessary to provide lubrication and cooling (approximately 40 - 60 drops per minute after the packing has run in).

WARNING: PACKING CONTAINING FLUOROCARBON COMPOUNDS MUST BE CONSTANTLY CHECKED WHEN FIRST STARTED AS IT HAS A TENDENCY TO RAPIDLY EXPAND FROM TEMPERATURE CHANGES RESULTING IN BLOCKAGE OF THE FLUSH LIQUID, FAILURE TO DO SO MAY RESULT IN DAMAGE TO THE PUMP.

PRIMING

Suction valve must be fully open. The pump casing and suction pipe must always be full of liquid before the pump is started. Centerline discharge designs are self-venting therefore the discharge valve should be opened to release any air trapped in the pump and then left slightly open at start-up.

STARTING

Prior to starting, turn pump shaft by hand to be sure rotating elements are free. If it rubs or binds:

- A) Check alignment.
- B) Check for piping strains on casing flanges, or other loads on casing.
- C) Check impeller clearance. (See impeller adjustment).

With pump rotating elements free, replace coupling guard.

Prior to starting pump recheck installation procedures with the operational start-up checklist found on page 19 of this manual.

Start pump and bring up to speed, open discharge valve to the rated flow.

WARNING: DO NOT RUN PUMP WITH A CLOSED DISCHARGE VALVE AS THE LIQUID IN THE PUMP WILL RAPIDLY INCREASE IN TEMPERATURE, POSSIBLY CAUSING DAMAGE TO PUMP.

Check flush water to mechanical seal, if not lubricated from the pump discharge.

Check oil levels in the bearing frame.

If the pump is provided with packing, the gland should be adjusted (while running) to allow leakage of approximately 60 drops per minute.

EXERCISE EXTREME CAUTION.

OPERATIONAL CHECK LIST

- A) Periodically check stuffing box for leakage with packing, and no leakage with mechanical seals.
- B) Periodically check lubrication to the pump and driver bearings.
- C) Periodically check for excessive vibrations and oil temperatures. Correct if necessary.

MAINTENANCE

Fybroc pumps are designed for a long service life. The only scheduled maintenance items are the lubrication intervals for the pump and motor. Please refer to the lubrication procedures given in the start-up section.

PUMP

Oil Bath Lubrication

The frequency with which the oil in the power-frame should be changed depends greatly on the operating temperature and the cleanliness of the environment. For power-frames running at approximately 122°F (50°C), typically the lower speed pumps, the oil should be changed once a year. For power-frames running at approximately 167°F (75°C) the oil should be changed every six months. If the environment is hostile, the lubrication intervals should be reduced.

Re-Greasable Bearings

The frequency with which the grease in the power-frame should be changed depends greatly on the operating time and the cleanliness of the environment. For power-frames running at 2900-3500 rpm the bearings should be re-lubricated every 5,000 hrs, for all other speeds every 10,000 hrs.

Before greasing, be sure fittings are clean and free from dirt. Remove the 1/8" grease relief plugs for the front and rear bearings. Using a standard grease-gun inject grease into the bearing using the grease fittings until grease comes out of the bleed holes. Allow the pump to operate approximately 2 hours before replacing the pipe-plugs, this will allow any excess grease to purge itself.

WARNING: FAILURE TO REMOVE THE PURGE PLUGS WHEN FILLING THE BEARINGS WITH GREASE MAY RESULT IN DAMAGE TO THE BEARING SEALS.

Greased For Life Bearings

Greased for life bearings require no maintenance.

MOTOR

The motor re-lubrication intervals are greatly influenced by the environment it is in and the length of time it runs. Refer to the following chart for typical re-lubrication values for motors. Standard duty is when the motor is operated eight hours a day and the environment is free from dust. Severe duty is when the motor runs twenty-four hours per day with exposure to dirt and dust.

Sync RPM Range	Motor Frame Range	Type of Service	
		Standard Duty	Severe Duty
3600	143T - 256T	5 Yrs	3 Yrs
	284T - 286T	1 Yr	4 Mos
	324T - 365T	9 Mos	3 Mos
1800	143T - 256T	7 Yrs	3 Yrs
	284 - 326T	4 Yrs	1.5 Yrs
	364T - 365T	2.5 Yrs	10 Mos
	404T - 447T	2 Yrs	8 Mos
1200	143T - 256T	7 Yrs	3 Yrs
	284T - 326T	4 Yrs	1.5 Yrs
	364T - 447T	3 Yrs	1 Yr

Instructions For Lubricating Motors

Before greasing, be sure fittings are clean and free from dirt. Remove grease relief plug or plate and using a low pressure grease gun pump in the required grease. Do not over-grease. After relubricating allow motor to run for an hour before replacing relief hardware.

TROUBLE CHECK LIST

Refer to the following diagnostic section if hydraulic problems are encountered in the pump operation.

PROBLEM: Not enough liquid, or no liquid delivered.

CHECK: Suction pipe and /or pump casing not filled with liquid.

Speed too low.
(Result, reduced TDH).

Suction lift too high or insufficient NPSHA. (Cavitation).

Impeller or suction pipe plugged with solids.

Wrong rotation.
(Result, reduced TDH).

Air pockets in suction line or air leaking in through packing box area.

Suction strainer plugged, if used in suction line.

PROBLEM: Not enough pressure.

CHECK: Speed too low.

Air or gases in the liquid.

Check impeller diameter.

Mechanical defects
(impeller clearance too great;
impeller damaged).

Wrong rotation.

Pressure gauge in a poor location.

PROBLEM: Pump runs but intermittently pumps liquid.

CHECK: Suction line leaks.

Stuffing box leakage of air.

Air pocket in suction line.

Insufficient NPSH.

Air or gases in liquid.

PROBLEM: Pump takes too much power.

CHECK: Speed too high.

Head lower than rating;
pumping beyond design point.

Liquid heavier than specified;
check viscosity and specific gravity.

Mechanical defects (Bent shaft,
rotating element binds, packing
too tight, misalignment).

ASSEMBLY/DISASSEMBLY PROCEDURES FOR HORIZONTAL PUMPS

GENERAL

The Fybroc pump is designed for easy inspection and service because of its back pullout construction. For inspection or replacement of certain parts, the work can be done in place, without the necessity to remove the complete pump to a maintenance area. Refer to applicable Exploded View Drawing in this manual for item numbers mentioned below.

Before any work is done the following procedures and precautions should be taken:

- 1) The electric motor should be either disconnected from its power source, or the switch or circuit breaker must be secured in an "off" position so that the motor cannot be accidentally started.

WARNING: WORKING ON PARTIALLY OR FULLY ENERGIZED EQUIPMENT CAN RESULT IN SEVERE INJURY OR DEATH.

- 2) Depending upon the fluid being pumped, the proper protective equipment should be worn (gloves, mask, respirator, goggles or safety glasses, etc.) to prevent contact with the fluid in the pump or pipelines.
- 3) Check the valves on the suction and discharge lines to be sure they are closed and secured.
- 4) If the mechanical seal is flushed from an external source, turn off the valve in the supply line and disconnect the flush line.
- 5) The liquid trapped in the pump and piping should be carefully vented and drained. Care should be taken to either trap the fluid in a container or to divert it to a proper disposal area so that the area around the pump and base will not be contaminated.

DISASSEMBLY

- 1) Remove the bolts securing the coupling guard and remove the coupling guard.
- 2) If a standard flex-type coupling is used, refer to the coupling instructions in this manual for proper disassembly of the coupling. If another type coupling was used, refer to the coupling manufacturer's data that was included with the pump.
- 3) If the complete pump is to be removed to a maintenance area, remove the bolts holding the power-frame and casing to the baseplate. Next remove the bolts on the suction and discharge

flange connections. Now the whole pump can be removed. If the casing is to be left in place remove the screws holding the power-frame to the baseplate and then remove the casing nuts securing the casing to the cover and frame adapter (Item 1B). Now the rotating assembly can be pulled away from the casing and removed. Two jackscrews (Item 19D) are provided to ease disassembly.

- 4) If the casing was removed with the pump, remove the nuts securing the casing to the cover and frame adapter (Item 1B). Now the casing can be pulled away from the power-frame and cover. Two jackscrews (Item 19D) are provided to ease disassembly. The pump rotating assembly can be placed in a convenient location to disassemble.
- 5) Remove the cover gasket (Item 73) and place into a container with the casing hardware.
- 6) If the pump is provided with a mechanical seal utilizing set screws to drive the seal, loosen the set screws. If the mechanical seal is of the preset outside type, re-install seal setting clips, before loosening set screws.
- 7) The impeller assembly can now be removed by fixing the pump shaft at the coupling end and turning the impeller nut (item 24A) in a counter-clock wise direction facing the impeller. The impeller, cover, and seal assembly can now be removed as a unit.

The pump is provided with a separate shaft sleeve, remove the impeller and impeller o-ring (Items 2 and 24D). Proceed to remove the cover, separate sleeve and seal assembly.

- 8) If the mechanical seal is a single outside seal, be sure the set screws are loose and pull the rotary seal assembly off the sleeve using a twisting motion as it is removed. Remove the four bolts and washers (Item 17C, 17E) securing the gland (Item 17) to the cover (Item 11) and remove the gland and then the seal stationary member from the cover. The carbon and ceramic elements of the seal should be handled carefully to prevent chipping or scratching.

If the mechanical seal is a double inside seal, remove the four bolts and washers (Item 17C, 17E) securing the gland (Item 17) to the cover (Item 11) and remove the gland. Be sure the set screws are loose and pull the rotary seal assembly off the sleeve using a twisting motion as it is removed. Next remove the stationary seal faces from the gland and cover by gently pressing them out using your thumbs. The carbon and ceramic elements of the seal should be handled carefully to prevent chipping or scratching.

If packing is supplied with the pump then first remove the upper four nuts and washers securing the gland and remove the gland. Next remove the lower four nuts and washers and remove the stuffing box extension. Now remove the packing rings and lantern ring, keeping them in order to preserve the location of the lantern ring. The gland studs can now be removed from the cover.

POWER-FRAME DISASSEMBLY

After removing the pump casing, impeller, and cover assembly from the power-frame, proceed with the following:

- 1) Drain oil from the power-frame assembly by removing the drain plug (Item 19A). Collect oil into a suitable container.
- 2) Remove only the adjusting screws (Item 33A) that secure the bearing housing (Item 33) to the power-frame (Item 19).
- 3) The shaft assembly is now ready for removal. Slowly and evenly turn the remaining adjusting jacking screws (Item 33A) until the outboard bearing housing (Item 33) clears the frame (Item 19). This will require the use of shims or bar-stock being placed between the adjusting jacking screws and bearing frame. The adjusting jacking screws by themselves are not long enough to effect complete clearance from the frame. Be careful when removing the shaft assembly not to damage the impeller threads on the end of the shaft by contacting the cast-iron. You now should be holding the shaft, bearings, and outboard bearing housing assembly.
- 4) Remove the shaft and bearing assembly from the outboard bearing housing, by removing the internal retaining ring (Item 18A). Lightly tap the outboard shaft end with a soft-headed

mallet until the outboard bearing clears the bearing housing (Item 33).

- 5) Remove the outboard bearing (Item 18) from the shaft by disengaging the tang on the lock-washer (Item 69) from the lock-nut (Item 22), and then remove the lock-nut with a bearing lock-nut wrench or by tapping the groove in the lock-nut with a hammer and drift. The bearing can now be pressed from the shaft.
- 6) Remove the internal retaining ring (Item 18A) from the shaft.
- 7) Remove the inboard bearing (Item 16) by pressing from the shaft. Protect the impeller threads and coupling end of the shaft from damage when pressing bearings off the shaft.
- 8A) If the bearing frame is provided with labyrinth type oil seals, and they are still in good condition they can remain in the bearing frame and bearing housing. If replacement is necessary they can be pressed out of their respective housings.
- 8B) If the bearing frame is provided with lip type oil seals, remove the oil seals (Items 47 & 49) from the outboard bearing housing and from the power-frame. These seals are removed by lightly tapping with a soft-headed mallet. Note: these seals should not be reused after disassembly.
- 9) Remove the o-ring seal (Item 33B) from the bearing housing.
- 10) If separate, remove the bearing frame adapter screws (Item 71A) and remove the adapter (Item 71). Remove the casing jack-screws (Item 19D) from the adapter.
- 11) If separate, remove the frame-leg screws (Item 19F) and remove the frame-leg (Item 19E).
- 12) Remove the sight-glass, breather and plugs (Items 19A, 19B, 19C, 19G and 19H) from their respective locations.

POWER-FRAME ASSEMBLY

- 1) Clean and visually inspect all parts prior to reassembly. Particularly note condition of shaft surfaces and housing bores where oil seals contact.
- 2) Evenly heat bearings up to 167°F (75°C) above room temperature, approximately 239°F (115°C). Do not exceed 257°F (125°C) as damage to the bearings may occur.

WARNING: SINCE THE SHAFT IS TYPICALLY MADE OF STAINLESS STEEL, PRESSING THE BEARINGS ON THE SHAFT MAY RESULT IN DAMAGE TO THE SHAFT.

- 3) Note orientation of bearings before installing on shaft:
 - Outboard Bearing (coupling end) – If bearing contains ball filling slots, the slots should be facing the coupling (key-way) end of shaft. If the bearing has a single shield, the shield faces toward the coupling end of the shaft. If the pump is provided with re-greasable bearings, the bearing grease shield should face the impeller (threaded) end of shaft.
 - Inboard Bearing (impeller end) – If bearing contains ball filling slots, the slots should be facing the coupling (key-way) end of shaft. If the bearing has a single shield, the shield faces toward the threaded end of the shaft. If the pump is provided with re-greasable bearings, the bearing grease shield should face the coupling (key-way) end of shaft.
- 4) Install the outboard bearing (Item 18) on the shaft (Item 6) by sliding it over the key-way end of the shaft until it is seated squarely against the shaft shoulder.
- 5) Place the retaining ring (Item 18A) over the shaft before installing the inboard bearing, as this is impossible to install later.
- 6) Install the inboard bearing (Item 16) on the shaft (Item 6) by sliding it over the threaded end of the shaft until it is seated squarely against the shaft shoulder.
- 7) Install the lock-washer (Item 69) and lock-nut (Item 22) against the outboard bearing and then tighten the lock-nut with a bearing lock-nut wrench or by tapping the groove in the lock-nut with a hammer and drift. The lock-nut can then be secured by bending the tang on the lock-

washer into the groove on the lock-nut. Be careful not to mar the oil seal surfaces of the shaft which are in close proximity to the bearings and lock-nut.

- 8) Install the o-ring seal (Item 33B) on the bearing housing.
- 9) If the bearing frame is provided with labyrinth type oil seals, lubricate the seal o-rings and press fit the labyrinth seals (Items 47 & 49) into the bearing housing and bearing frame bores.
- 10) Install the shaft and bearing assembly into the bearing housing (Item 33), by first lubricating the bore with some oil and then sliding in the shaft assembly. Lightly tap the bearing housing with a soft-headed mallet until the outboard bearing clears the retaining ring groove. Using snap-ring pliers install the retaining ring (Item 18A) with the opening in the ring lining up with the oil return slot in the bearing housing.
- 11) If the bearing frame is provided with lip type oil seals, install the outboard oil seal (Item 49) into the bearing housing. Lubricate the ID of the seal and place sealant around the OD of the seal. Carefully place the oil-seal over the shaft watching out for sharp edges such as on key-ways and place up against the bore. Seat the oil-seal in place with a soft-faced tool applying force evenly around the outer edge to avoid cocking the seal. Wipe off any excess sealant.
- 12) The shaft assembly is now ready for installation. Ensure that the power-frame is free of contaminants and then lubricate the bores in the power-frame with oil to ease installation. Line up the shaft assembly so the oil-drain slot in the bearing housing is facing down and slide the shaft assembly into the power-frame as far as it will go by hand. Check to be sure the assembly is going in straight. Lightly tap the key-way end of the shaft to assure the shaft is in its forward most position. Be careful not to pinch the bearing housing o-ring seal (Item 33B) on the power-frame, or damage the o-ring in the labyrinth oil seal.
- 13) Install the adjusting screws (Item 33A). If screws are of different length, the longer screws thread into the power-frame.
- 14) Install the inboard lip type oil seal, if required (Item 47) into the power-frame. First ensure that the bore and shaft diameter are clean and free of scratches or grooves. Lubricate

the ID of the seal and place sealant around the OD of the seal. Carefully place the oil-seal over the shaft watching out for sharp edges such as on impeller threads and place up against the bore. Then seat the oil-seal in place with a soft-faced tool applying force evenly around the outer edge to avoid cocking the seal. Wipe off any excess sealant.

- 15) Install sight-glass, breather and plugs (Items 19A, 19B, 19C, 19G and 19H) in their respective locations.
- 16) If separate, install the frame-leg (Item 19E) and secure with frame-leg screws (Item 19F), torque to 25 ft-lbs.
- 17) If separate, install the bearing frame adapter (Item 71). Ensure that the adapter is seated squarely on the power-frame before tightening adapter screws, this may require some sanding of the paint on the pilot diameters. Secure with adapter screws (Item 71A), torque to 25 ft-lbs.
- 18) Install the casing jack-screws (Item 19D), ensure that the screws do not extend past the cast iron cover adapter, as damage could result to the pump.

CAUTION: Prior to starting the pump, re-lubricate the bearing frame.

PUMP END ASSEMBLY

- 1) Inspect casing, cover and impeller for any damage and make sure all sealing surfaces are free of dirt and scratches. If pump is equipped with an internal seal flush, make sure cover flush hole is clear.
- 2) Use the adjusting screws (Item 33A) to adjust the bearing housing (Item 33) to its forward most position and then lightly coat the shaft threads with an anti-seize compound.
- 3) The Fybroc pump, as standard, is equipped with a single outside seal with stationary seal face and rotating compression unit, or a double inside seal with stationary seal faces and rotating double seal compression unit. The following installation instructions are based on these seal types. When other types of seals are used, please refer to the manufacturer's installation data. Determine the type of seal being used and refer to the following sections.

SINGLE OUTSIDE SEAL INSTALLATION JOHN CRANE TYPE 8B2

- 1) Remove the mechanical seal from its packaging, inspect for any damage, and keep seal faces clean and free from contaminants during installation.
DO NOT GREASE OR LUBRICATE SEAL FACES.
- 2) Install the inboard stationary seal gasket and the stationary seal insert into their bores on the pump cover. Then place the outboard stationary gasket over the stationary insert. Next place the seal gland over the stationary insert and gaskets, making sure that all the gaskets have been installed properly before securing the gland bolts. Be sure that the gland pilot is properly engaged, and draw up the gland bolts evenly, cross staggering adjustment of the bolts. Proper gland bolt adjustment is especially important where clamp style inserts are used. The gland bolts should be torqued to a maximum of 10 Ft/Lbs.
- 3) Lightly coat the impeller sleeve with a suitable lubricant, position the cover over the impeller and insert the sleeve through the mechanical seal stationary insert until the hooked end of the sleeve rests on the impeller hub.
- 4) Lubricate the rotary unit o-ring with a suitable lubricant. Then engage the rotary assembly over the impeller sleeve. Use a slight twisting motion as the rotary unit is slid down the impeller sleeve until it touches the stationary sealing face. Do not tighten set screws or remove setting clips.
- 5) Slide the sleeve and seal assembly over the shaft until the hooked end of the sleeve bottoms on the shaft shoulder. Install and clamp cover in position. Insert sleeve gasket (item 14A), impeller (2) onto shaft insuring impeller hub, sleeve hook and shaft shoulder are firmly bottomed. Install impeller nut and gasket (item 24A, 24D).
- 6) At this stage, check to be sure the impeller nut is properly seated on the shaft threads. There should be clearance between the cover face and the back of the impeller. If there is no clearance, adjust the shaft forward with the adjusting screws (Item 33A) and reseat the impeller. (See impeller adjustment section.)
- 7) With the impeller nut firmly seated, adjust the impeller towards the cover (see impeller adjustment section) until the back of the impeller just touches the cover face.

- 8) Install the cover gasket (Item 73) and casing. Adjust the axial impeller clearance to the specified value in the impeller adjustment section.
- 9) Slide the seal rotary unit until it touches the seal stationary face with a slight twisting motion. Tighten the rotary set screws and remove the assembly clips. No further seal adjustment is necessary.
- 10) Make appropriate piping connections to the seal assembly.
- 7) Slide the sleeve, gland and cover assembly over the shaft until the hooked end of the sleeve bottoms on the shaft shoulder. Clamp cover in position. Insert sleeve gasket (14A), impeller (2) onto shaft insuring impeller hub, sleeve hook, and shaft shoulder are firmly bottomed. Install impeller nut and gasket (item 24A,24D)
- 8) At this stage check to be sure the impeller nut is properly seated on the shaft threads. There should be clearance between the cover face and the back of the impeller. If there is no clearance, adjust the shaft forward with the adjusting screws (Item 33A) and reseal the impeller. (See impeller adjustment section)

DOUBLE SEAL INSTALLATION JOHN CRANE TYPE 8-1T

- 1) Remove the mechanical seal from its packaging, inspect for any damage, keep seal faces clean and free from contaminants during installation.
DO NOT GREASE OR LUBRICATE SEAL FACES.
- 2) Lightly lubricate the inboard stationary insert o-ring and cover bore with a suitable lubricant and then install the inboard stationary insert into the pump cover bore.
- 3) Lightly lubricate the outboard stationary, insert o-ring and gland bore, and install the outboard stationary into the gland bore.
- 4) Lightly coat the impeller sleeve with a suitable lubricant, position the cover over the impeller and insert the sleeve through the mechanical seal stationary insert until the hooked end of the sleeve rests on the impeller hub.
- 5) Lubricate the rotary unit o-rings with a suitable lubricant. Then engage the rotary assembly over the impeller sleeve. Use a slight twisting motion as the rotary unit is slid down the impeller sleeve until it touches the stationary sealing face. Do not tighten set screws.
- 6) Install the gland o-ring into its groove on the gland. Then place the gland over the rotating seal assembly, making sure the gland o-ring is in place before securing the gland bolts. Be sure that the gland pilot is properly engaged, and draw up the gland bolts evenly, cross staggering adjustment of the bolts. The gland bolts should be torqued to a maximum of 10 Ft/Lbs.
- 9) With the impeller nut firmly seated, adjust the impeller towards the cover (see impeller adjustment section) until the back of the impeller just touches the cover face.
- 10) Install the cover gasket (Item 73) and casing. Adjust the axial impeller clearance to the specified value in the impeller adjustment section.
- 11) Remove the pipe plug in the bottom of the gland. Center the set screws of the seal rotary unit in the pipe plug hole and tighten. Replace pipe plug and make appropriate piping connections to the seal assembly.

IMPELLER ADJUSTMENT

Recessed impellers do not depend upon the clearance between the pump casing and impeller face to determine head, capacity and efficiency. Impeller adjustment is recommended to obtain the best position of the impeller to prevent rubbing or binding while in operation.

Note: Always loosen set screws on mechanical seals before adjusting impeller to eliminate seal damage.

- 1) Loosen bearing housing adjusting screws evenly (item 33A).
- 2) Tighten up equally on the adjusting screws moving bearing housing toward motor until you can feel the impeller starting to rub on the cover (Item 11). Check shaft frequently by rotating by hand while tightening adjusting bolts.

- 3) Loosen the adjusting screws, insert a feeler gauge between bolt head and frame, hand tighten bolt(s) until it contacts feeler gauge. Repeat for all adjusting screws, as necessary.
- 4) Tighten the adjusting screws moving the bearing housing toward the casing until all adjusting screws are tight.
- 5) Rotate shaft to ensure it turns freely.

*Half of the screws will move the bearing housing toward the casing (these are threaded into frame (item 19)) and the other half will move the bearing housing toward the motor (these are threaded into the bearing housing).

INSTALLATION INSTRUCTIONS/FLEX-TYPE COUPLINGS

WARNING: DO NOT PROCEED WITH THE COUPLING INSTALLATION UNTIL THE DIRECTION OF MOTOR ROTATION HAS BEEN ESTABLISHED TO BE CORRECT. FAILURE TO DO SO MAY RESULT IN DAMAGE TO THE PUMP.

- 1) Inspect all coupling components and remove any protective coatings or lubricants from bores, mating surfaces and fasteners. Remove any existing burrs, etc. from the shafts.
- 2) Place four cap-screws with lock-washers through the holes in each spacer hub. Slide one spacer hub onto each shaft, using snug-fitting keys.
- 3) If using a two-piece sleeve, assemble the two halves together and hang the wire ring loosely in the groove next to the teeth.
- 4) Position the sleeve between the two flanges. Be certain that the teeth on the sleeve are fully seated in each flange.

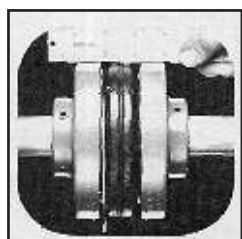
- 5) Place this assembly between the spacer hubs. Align the tapped holes in the flange with the cap-screws in one of the hubs. Hand tighten these four cap-screws and visually inspect the gap between the hub and the flange to ensure that the flange is seated properly. Tighten the four cap-screws to their designated torque values, see table below.
- 6) Rotate the other shaft until the cap-screws on the other hub can be started into the tapped holes of the loose flange. Hand tighten these four cap-screws and visually inspect the gap between the hub and the flange to ensure that the flange is seated properly. Tighten the four cap-screws to their designated torque values, see table below.
- 7) Check to be certain that the sleeve is still fully engaged in both flanges. Then slide the coupling assembly so that there is an equal length of shaft extending into each flange. Check that the shaft keys are fully engaged between the shaft and the hub before tightening the set-screws on both hubs. See the following table for torque values.

TORQUE VALUES TYPE SC COUPLINGS		
Coupling Hub Size	Cap-Screws (ft-lbs)	Set-Screws (ft-lbs)
3	—	—
4	5.5	13
5	4	13
6	9	13
7	9	13
8	18	23
9	31	23
10	50	50
11	75	50
12	150	100
13	150	165
14	150	165
16	150	165

MAXIMUM ALLOWABLE MISALIGNMENT						
Sleeve Size	Type JE & JN		Type E & N		Type H	
	Parallel	Angular	Parallel	Angular	Parallel	Angular
3	.010	.035	—	—	—	—
4	.010	.043	—	—	—	—
5	.015	.056	.015	.056	—	—
6	.015	.070	.015	.070	.010	.016
7	.020	.081	.020	.081	.012	.020
8	.020	.094	.020	.094	.015	.025
9	—	—	.025	.109	.017	.028
10	—	—	.025	.128	.020	.032
11	—	—	.032	.151	.022	.037
12	—	—	.032	.175	.025	.042
13	—	—	.040	.195	—	—
14	—	—	.045	.242	—	—
16	—	—	.062	.330	—	—

(Dimensions in Inches)

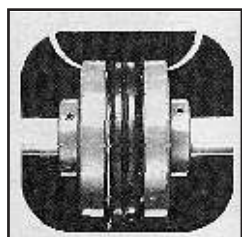
- 8) Check parallel alignment by placing a straight-



edge across the two coupling flanges and measuring the maximum offset at various points around the periphery of the coupling without rotating the coupling. If the maximum offset exceeds the figure shown under

“Parallel” in the following table, realign the shafts.

- 9) Check angular alignment with a micrometer or caliper. Measure from the outside of one



flange to the outside of the other at intervals around the periphery of the coupling. Determine the maximum and minimum dimensions without rotating the coupling. The

difference between the maximum and minimum must not exceed the figure given under “Angular” in the following table . If a correction is necessary, be sure to recheck the parallel alignment.

NOTE: KEEPING COUPLING MISALIGNMENT VALUES AS CLOSE TO ZERO AS POSSIBLE WILL EXTEND COUPLING LIFE AND REDUCE VIBRATION LEVELS.

- 10) If the coupling employs a two-piece sleeve with the wire ring, force the ring into its groove in the center of the sleeve. It may be necessary to pry the ring into position with a blunt screwdriver.

- 11) Install the coupling guard over the coupling assembly and finger tighten the coupling guard cap-screws. Check for any contact between the guard and the rotating assembly. Then tighten the coupling guard bolts to the torque values given on the side of the baseplate.

WARNING: DO NOT OPERATE THE PUMP WITHOUT THE COUPLING GUARD INSTALLED PROPERLY AS COUPLING SLEEVES CAN BE THROWN FROM THE COUPLING ASSEMBLY WITH SUBSTANTIAL FORCE IF THE COUPLING IS SUBJECTED TO A SEVERE SHOCK LOAD.

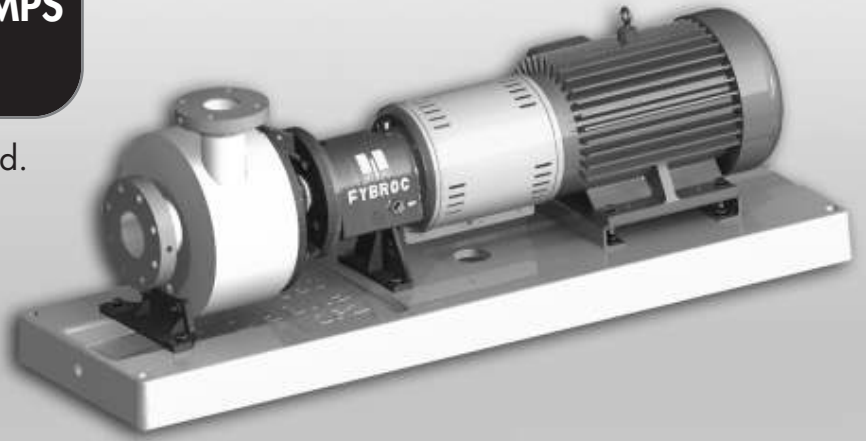
- 12) To remove the sleeve for inspection or replacement, remove the eight cap-screws from the spacer hubs. Then loosen the hub set-screws and slide the hubs back and drop the sleeve and flange assembly out.

WARNING: NEVER REPLACE A HYTREL SLEEVE WITH A RUBBER SLEEVE AS THESE SLEEVES HAVE COMPLETELY DIFFERENT RATINGS AND INTERCHANGING THEM CAN CAUSE DAMAGE TO THE EQUIPMENT.

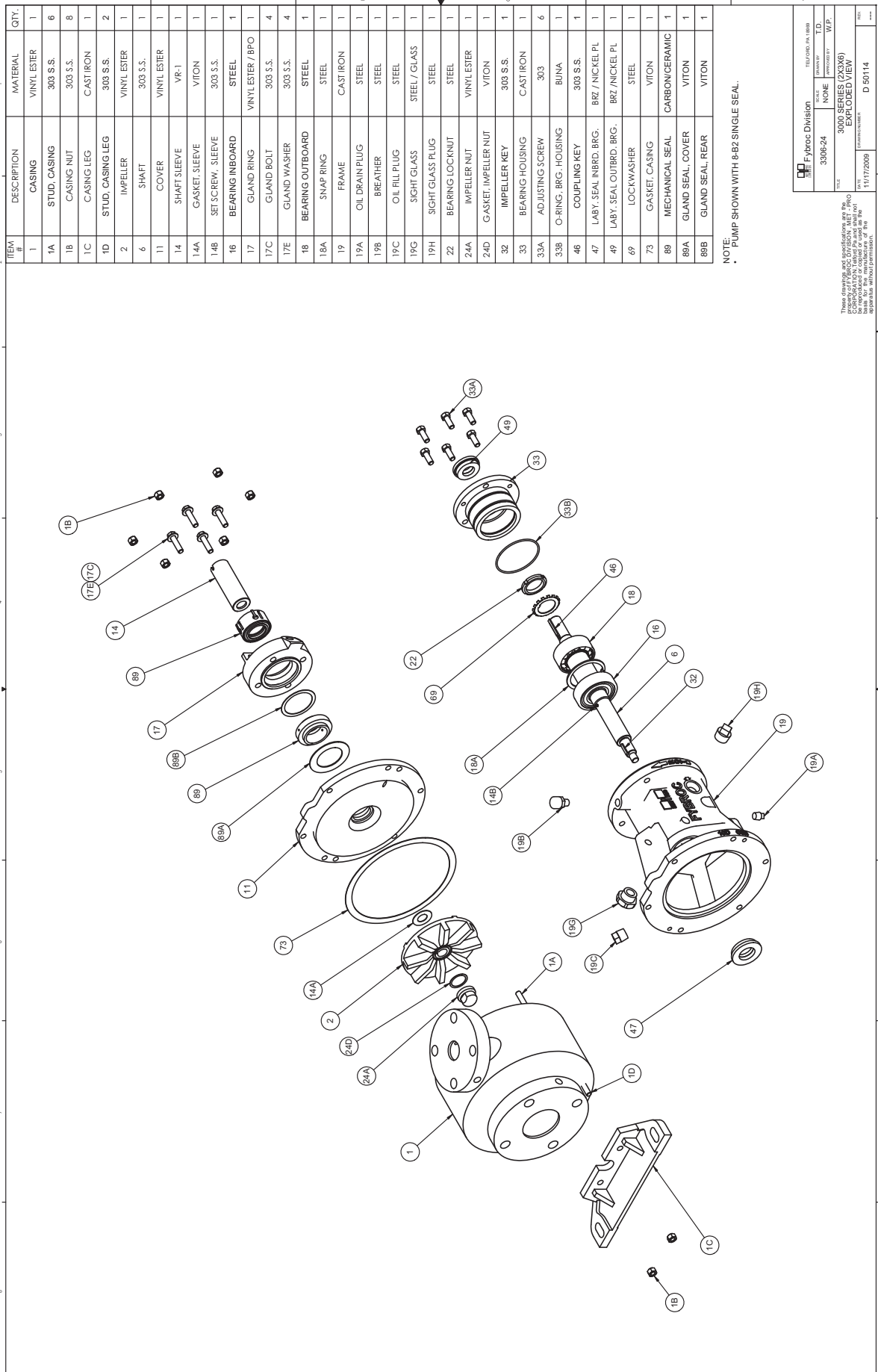
SERIES 3000 HORIZONTAL PUMPS

OPERATIONAL START-UP CHECKLIST

- Foundation level and baseplate grouted.
- Foundation bolts tight.
- Coupling aligned without sleeve.
- Motor and pump mounting bolts tight.
- Suction and discharge connections secure.
- Flush piping installed if required.
- Electrical connections secure and covered.
- Lubricate power-frame as required.
- Ensure that coupling sleeve is not installed.
- Jog motor/Check rotation.
- Turn pump shaft by hand, ensure that it does not bind.
- Check shaft alignment and install coupling sleeve.
- Ensure that all guards are in place.
- Ensure seal is properly flushed.
- Suction valve is open, Discharge valve is slightly open.
- Ensure that pump is primed.
- Start pump and open discharge valve to desired flow rate.
- Check flush water flow and pressure.
- Check oil level if so equipped.
- Check for excessive vibration and oil temperature.
- Check packing for leakage and mechanical seal for no leaks after run-in.



3000 SERIES 3306-24



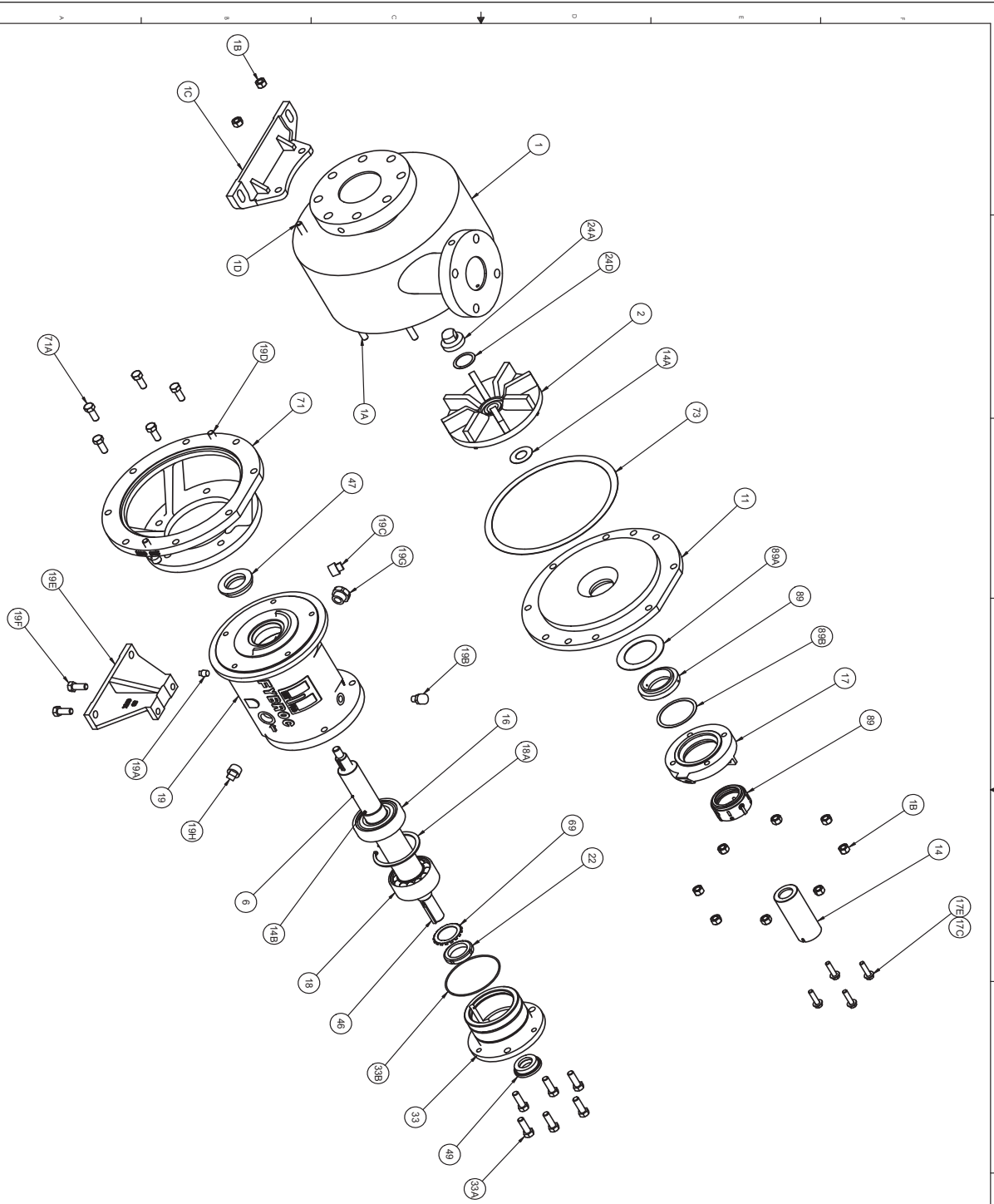
ITEM #	DESCRIPTION	MATERIAL	QTY.
1	CASING	VINYL ESTER	1
1A	STUD, CASING	303 S.S.	6
1B	CASING NUT	303 S.S.	8
1C	CASING LEG	CAST IRON	1
1D	STUD, CASING LEG	303 S.S.	2
2	IMPELLER	VINYL ESTER	1
6	SHAFT	303 S.S.	1
11	COVER	VINYL ESTER	1
14	SHAFT SLEEVE	VR-1	1
14A	GASKET SLEEVE	VITON	1
14B	SET SCREW, SLEEVE	303 S.S.	1
16	BEARING INBOARD	STEEL	1
17	GLAND RING	VINYL ESTER / BPO	1
17C	GLAND BOLT	303 S.S.	4
17E	GLAND WASHER	303 S.S.	4
18	BEARING OUTBOARD	STEEL	1
18A	SNAP RING	STEEL	1
19	FRAME	CAST IRON	1
19A	OIL DRAIN PLUG	STEEL	1
19B	BREATHER	STEEL	1
19C	OIL FILL PLUG	STEEL	1
19G	SIGHT GLASS	STEEL / GLASS	1
19H	SIGHT GLASS PLUG	STEEL	1
22	BEARING LOCKNUT	STEEL	1
24A	GASKET, IMPELLER NUT	VINYL ESTER	1
32	IMPELLER KEY	303 S.S.	1
33	BEARING HOUSING	CAST IRON	1
33A	ADJUSTING SCREW	303	6
33B	O-RING, BRG. HOUSING	BUNA	1
46	COUPLING KEY	303 S.S.	1
47	LABY SEAL INBRD. BRG.	BRZ / NICKEL PL	1
49	LABY SEAL OUTBRD. BRG.	BRZ / NICKEL PL	1
69	LOCKWASHER	STEEL	1
73	GASKET, CASING	VITON	1
88	MECHANICAL SEAL	CARBON/CERAMIC	1
89A	GLAND SEAL, COVER	VITON	1
89B	GLAND SEAL, REAR	VITON	1

NOTE: PUMP SHOWN WITH 8-82 SINGLE SEAL.

Hydroco Division		TELEPHONE: 651-758-7867
3306-24	DATE: NONE	REVISED BY: W.F.P.
3000 SERIES (2X2X8)		T.D.
EXPLODED VIEW		
11/17/2009	FORM NO. 3306-24	D 50114

These drawings and specifications are the property of HYDROCO DIVISION, a unit of PUMP SUPPLY INC. No part of this drawing or specification may be reproduced or transmitted in any form or by any means, electronic or mechanical, including photocopying, recording, or by any information storage and retrieval system, without the prior written permission of PUMP SUPPLY INC.

3000 SERIES 3308-24, 3308-30, 3310-24



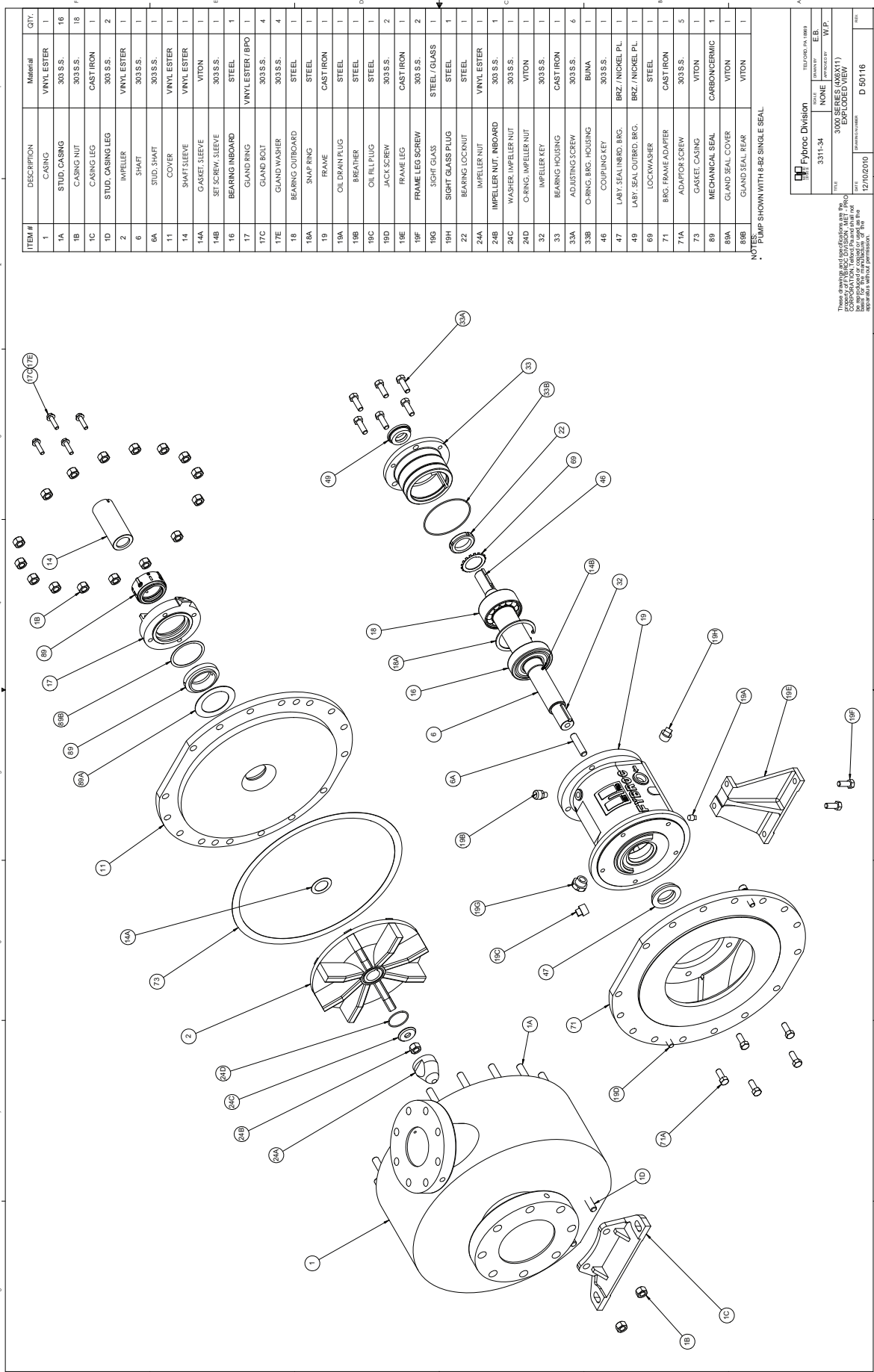
NOTES:
 * PUMP SHOWN WITH 8-B2 SINGLE SEAL
 ** QUANTITY VARIES WITH PUMP SIZE.

ITEM #	DESCRIPTION	MATERIAL	QTY.
1	CASING	VINYL ESTER / 303 S.S.	1
1A	STUD. CASING	303 S.S.	8
1B	CASING NUT	303 S.S.	**
1C	CASING LEG	CAST IRON	1
1D	STUD. CASING LEG	303 S.S.	2
2	IMPELLER	VINYL ESTER	1
6	SHAFT	303 S.S.	1
11	COVER	VINYL ESTER	1
14	SHAFT SLEEVE	VINYL ESTER	1
14A	GASKET. SLEEVE	VITON	1
14B	SET SCREW. SLEEVE	303 S.S.	1
16	BEARING IMBOARD	STEEL	1
17	GLAND BOLT	VINYL ESTER / BPO	1
17C	GLAND BOLT	303 S.S.	4
17E	GLAND WASHER	303 S.S.	4
18	BEARING OUTBOARD	STEEL	1
18A	SNAP RING	STEEL	1
19	FRAME	CAST IRON	1
19A	OIL DRAIN PLUG	STEEL	1
19B	BREATHER	STEEL	1
19C	OIL FILL PLUG	STEEL	1
19D	JACK SCREW	303 S.S.	2
19E	FRAME LEG	CAST IRON	1
19F	FRAME LEG SCREW	303 S.S.	2
19G	SIGHT GLASS	STEEL / GLASS	1
19H	SIGHT GLASS PLUG	STEEL	1
22	BEARING LOCKNUT	STEEL	1
24A	IMPELLER NUT	VINYL ESTER	1
24D	GASKET. IMPELLER NUT	VITON	1
32	IMPELLER KEY	303 S.S.	1
33	BEARING HOUSING	CAST IRON	1
33A	ADJUSTING SCREW	303 S.S.	6
33B	ORING. BRG HOUSING	BRUN	1
46	COUPLING KEY	303 S.S.	1
47	LABY. SEAL IMBRD. BRG.	BRZ / NICKEL PL.	1
49	LABY. SEAL OUTBRD. BRG.	BRZ / NICKEL PL.	1
69	LOCKWASHER	STEEL	1
71	BRG. FRAME ADAPTOR	CAST IRON	1
71A	ADAPTOR SCREW	303 S.S.	5
73	GASKET. CASING	VITON	1
89	MECHANICAL SEAL	CARBON/CERAMIC	1
89A	GLAND SEAL. COVER	VITON	1
89B	GLAND SEAL. REAR	VITON	1

These drawings and specifications are the property of Pump Supply Inc. No reproduction or use in any form is permitted without written permission.

Pump Supply Inc. 3308-24, 3308-30, 3310-24 3000 SERIES (2X3X8, 3X4X8, 2X3X10) EXPLODED VIEW D 50115	TEL: (847) 841-7867 FAX: (847) 841-7867 WWW: PUMPSUPPLYINC.COM
---	--

3000 SERIES 3311-34



ITEM #	DESCRIPTION	Material	QTY.
1	CASING	VINYLESTER	1
1A	STUD CASING	303 S.S.	16
1B	CASING NUT	303 S.S.	16
1C	CASING LEG	CAST IRON	1
1D	STUD CASING LEG	303 S.S.	2
2	IMPELLER	VINYLESTER	1
6	SHAFT	303 S.S.	1
6A	STUD SHAFT	303 S.S.	1
11	COVER	VINYLESTER	1
14	SHAFTSLEEVE	VINYLESTER	1
14A	GASKET SLEEVE	VITON	1
14B	SET SCREW SLEEVE	303 S.S.	1
16	BEARING INBOARD	STEEL	1
17	GLAND RING	VINYLESTER / BPO	1
17C	GLAND BOLT	303 S.S.	4
17E	GLAND WASHER	303 S.S.	4
18	BEARING OUTBOARD	STEEL	1
18A	SNAP RING	STEEL	1
19	FRAME	CAST IRON	1
19A	OIL DRAIN PLUG	STEEL	1
19B	BREATHER	STEEL	1
19C	OIL RILL PLUG	STEEL	1
19D	JACK SCREW	303 S.S.	2
19E	FRAME LEG	CAST IRON	1
19F	FRAME LEG SCREW	303 S.S.	2
19G	SIGHT GLASS	STEEL / GLASS	1
19H	SIGHT GLASS PLUG	STEEL	1
22	BEARING LOCK NUT	STEEL	1
24A	IMPELLER NUT	VINYLESTER	1
24B	IMPELLER NUT INBOARD	303 S.S.	1
24C	WASHER IMPELLER NUT	303 S.S.	1
24D	O-RING IMPELLER NUT	VITON	1
32	IMPELLER KEY	303 S.S.	1
33	BEARING HOUSING	CAST IRON	1
33A	ADJUSTING SCREW	303 S.S.	6
33B	O-RING BRG. HOUSING	BUINA	1
46	COUPLING KEY	303 S.S.	1
47	LABY SEAL INBRD. BRG.	BRZ / NICKEL PL.	1
49	LABY SEAL OUTBRD. BRG.	BRZ / NICKEL PL.	1
69	LOCKWASHER	STEEL	1
71	BRG. FRAME ADAPTER	CAST IRON	1
71A	ADAPTOR SCREW	303 S.S.	5
73	GASKET CASING	VITON	1
89	MECHANICAL SEAL	CARBON/CEMIC	1
89A	GLAND SEAL COVER	VITON	1
89B	GLAND SEAL BEAR	VITON	1

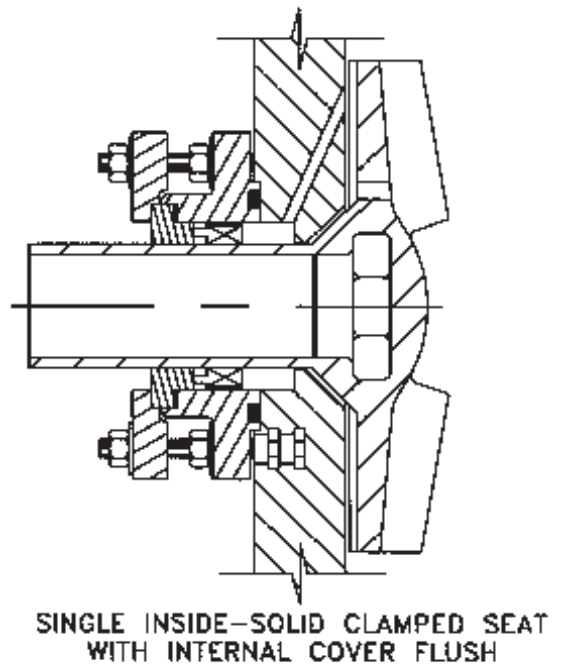
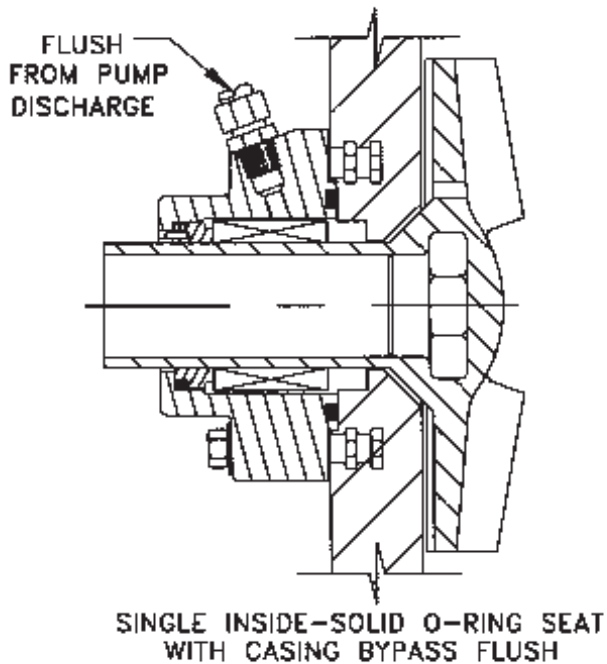
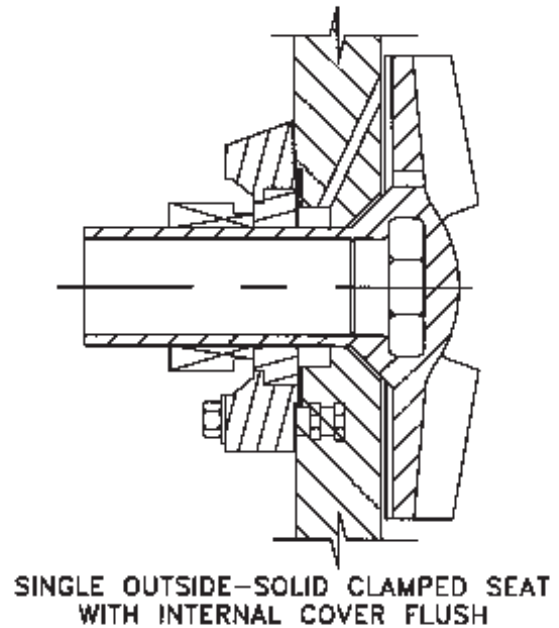
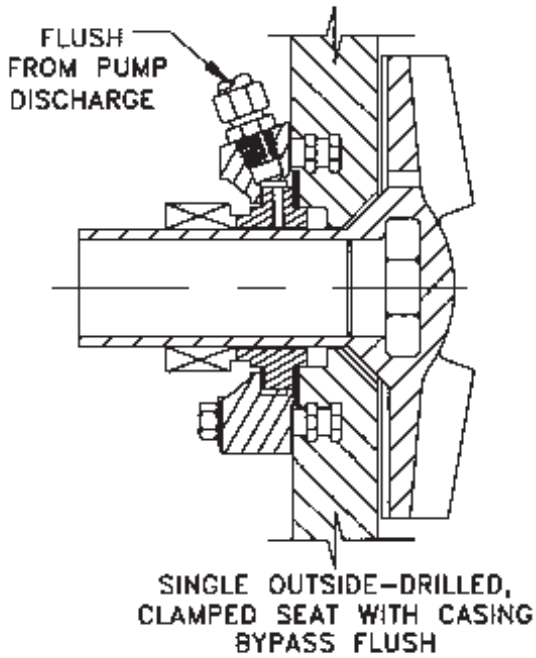
NOTES: PUMP SHOWN WITH 18-BZ SINGLE SEAL

3311-34	NONE
3000 SERIES (4X5X11)	EXPLODED VIEW
12/02/2010	D-50116

These drawings and specifications are the property of FIBROC. NO REPRODUCTION, STORAGE, OR TRANSMISSION OF ANY KIND IS PERMITTED WITHOUT THE WRITTEN PERMISSION OF FIBROC.

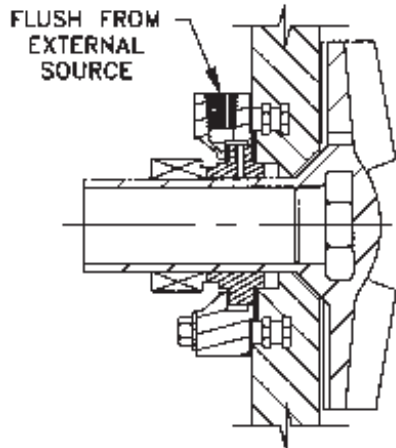
3000 SERIES SEAL AND STUFFING BOX ARRANGEMENTS

PRODUCT FLUSH: A portion of the pumped fluid is re-circulated through the stuffing box to provide lubrication and cooling to the seal. Use plastic fittings only.

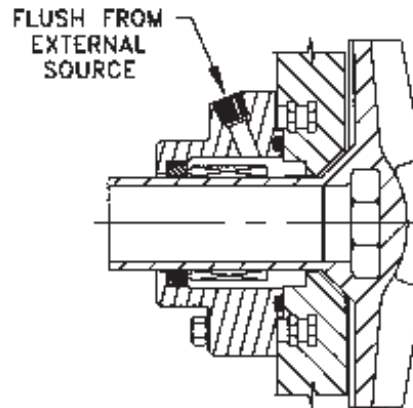


3000 SERIES SEAL AND STUFFING BOX ARRANGEMENTS

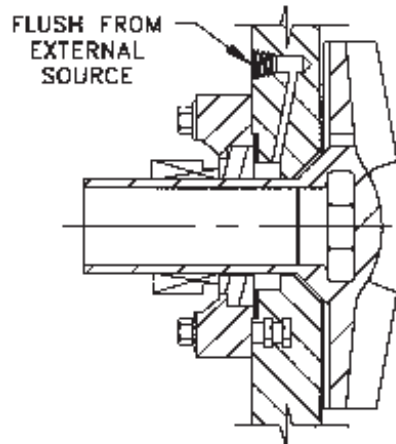
EXTERNAL FLUSH: An external source of clean fluid is required at the stuffing box to provide lubrication and cooling. Use plastic fittings only.



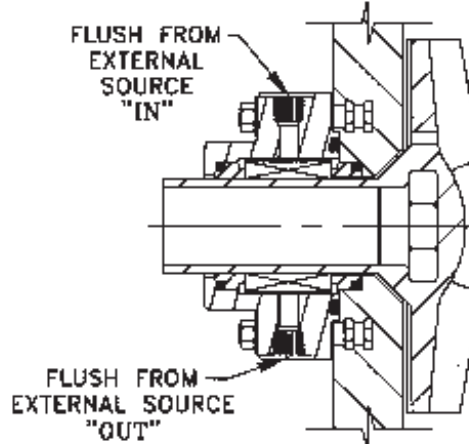
SINGLE OUTSIDE-DRILLED & CLAMPED SEAT W/EXTERNAL FLUSH



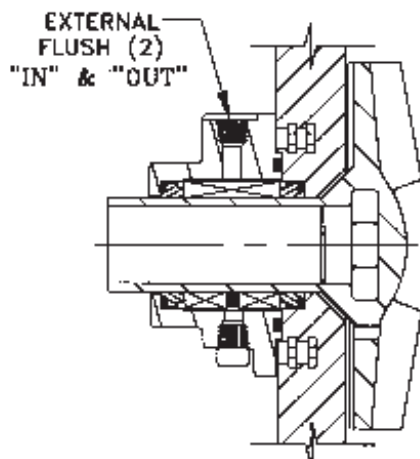
SINGLE INSIDE-SOLID O-RING SEAT W/EXTERNAL FLUSH



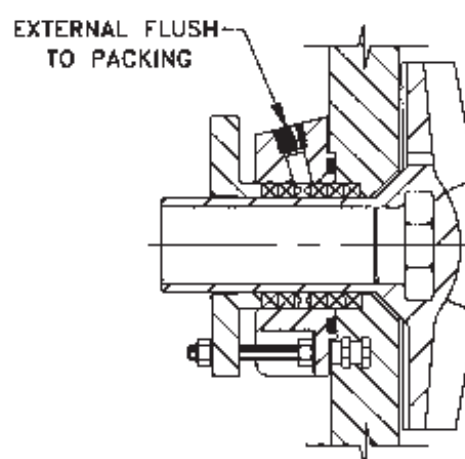
SINGLE OUTSIDE-SOLID CLAMPED SEAT W/EXTERNAL COVER FLUSH



DOUBLE INSIDE W/EXTERNAL FLUSH

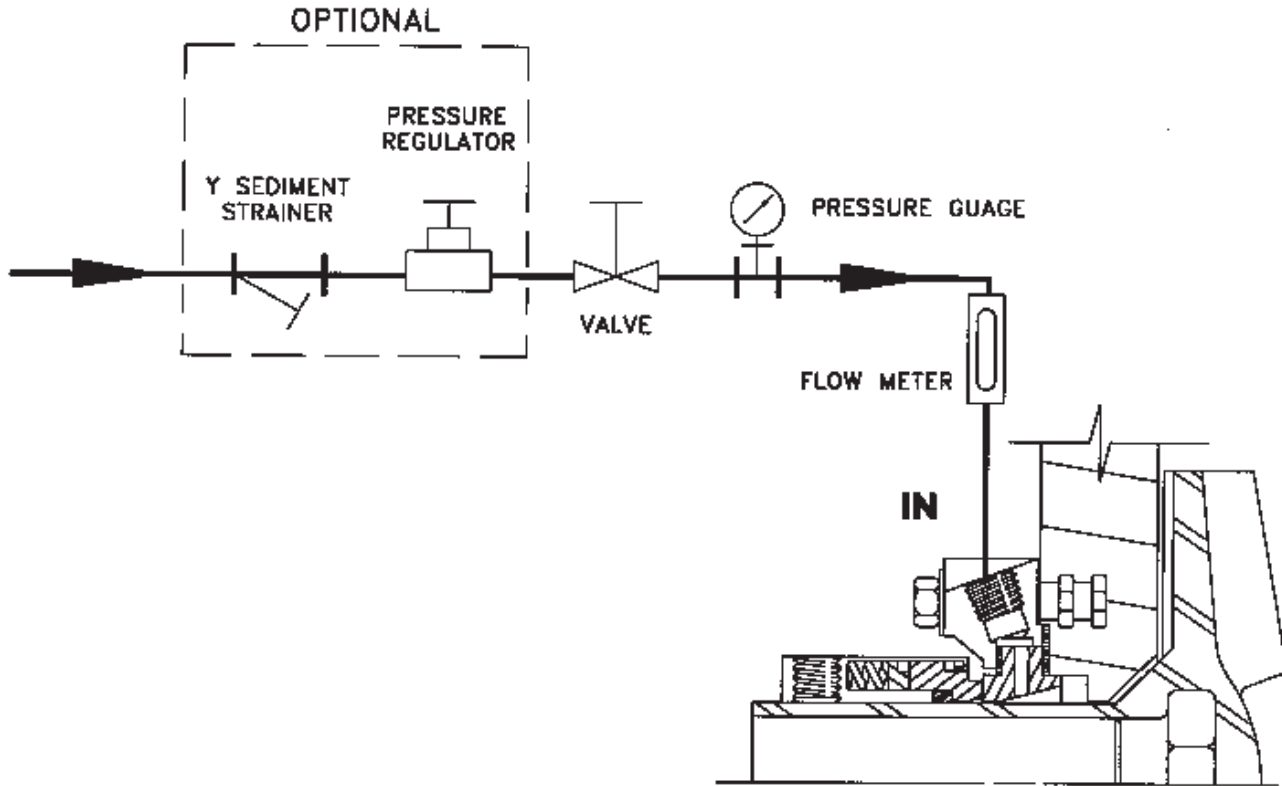


DOUBLE INSIDE-LOCKED ROTARY W/EXTERNAL FLUSH

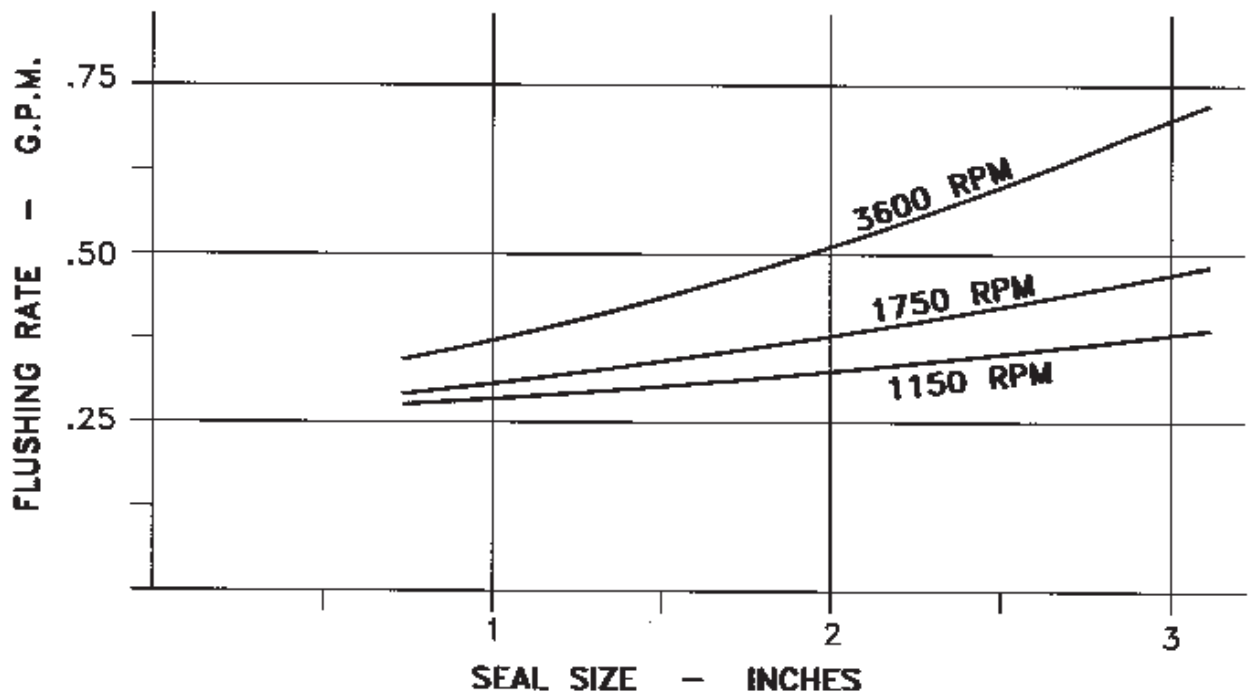


PACKING

FLUSH PIPING FOR SINGLE MECHANICAL SEAL

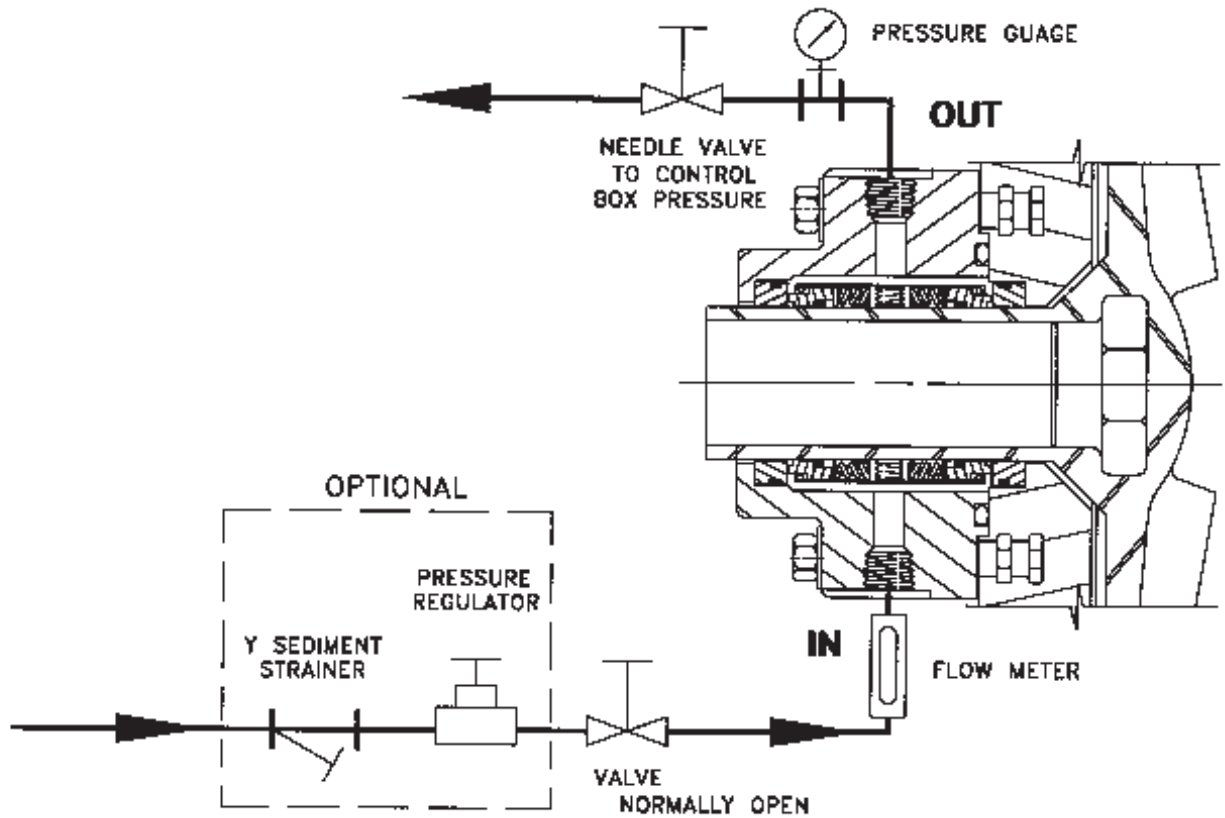


FLUSH FLOW RATE FOR SINGLE SEAL

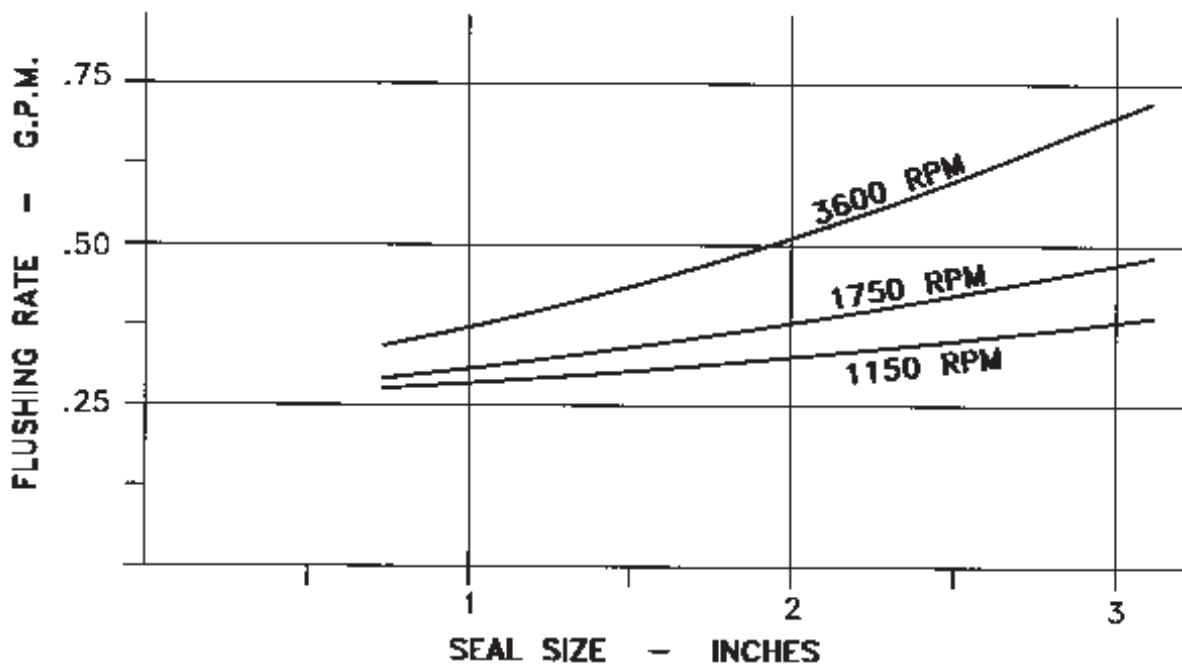


FLUSH PRESSURE - 15 TO 25 PSI ABOVE STUFFING BOX PRESSURE
 FLUSH LIQUID TEMPERATURE - 125°F (50°C) MAXIMUM

FLUSH PIPING FOR DOUBLE INSIDE MECHANICAL SEAL



FLUSH FLOW RATE FOR DOUBLE SEAL



FLUSH PRESSURE - 15 TO 25 PSI ABOVE STUFFING BOX PRESSURE
 FLUSH LIQUID TEMPERATURE - 125°F (50°C) MAXIMUM

NOTES



Illinois Location:

(847) 841-7867
860 Church Rd
Elgin, IL 60123

Minnesota Location:

(651) 758-7867
330 Mill Bay South Suite 1511
Afton, MN 55001

PumpSupplyInc.com



NOTES



Illinois Location:
(847) 841-7867
860 Church Rd
Elgin, IL 60123

Minnesota Location:
(651) 758-7867
330 Mill Bay South Suite 1511
Afton, MN 55001
PumpSupplyInc.com

A map showing the outlines of Illinois and Minnesota. A star is placed in the western part of Illinois, and another star is placed in the western part of Minnesota. Below the map is a smaller version of the Pump Supply Incorporated logo.



<p>Illinois Location: (847) 841-7867 860 Church Rd Elgin, IL 60123</p>	
<p>Minnesota Location: (651) 758-7867 330 Mill Bay South Suite 1511 Afton, MN 55001 PumpSupplyInc.com</p>	



ASSOCIATION
OF ZOOS &
AQUARIUMS &



AALSO
Aquatic Animal Life Support Operators

CECO Fybroc

700 Emlen Way • Telford, PA 18969
 P: 215.723.8155 • TOLL-FREE: 800.FYBROC.1 • F: 215.723.2197
 E: info@onececo.com www.cecoenviro.com