



# CECO Fybroc

**ANSI/ASME  
B73.1  
Dimensions**

## FYBROC<sup>®</sup> SERIES 1530 CLOSE-COUPLED HORIZONTAL PUMPS

### Corrosion

### Resistant FRP

### Fiberglass Reinforced

- ✓ VR-1, Vinyl Ester Resin
- ✓ VR-1 BPO-DMA, Vinyl Ester Resin with BPO-DMA Cure System
- ✓ VR-1A, Vinyl Ester Resin with Abrasive Resistant Material
- ✓ VR-1V, Vinyl Ester Resin with Synthetic Veil
- ✓ EY-2, Epoxy Resin

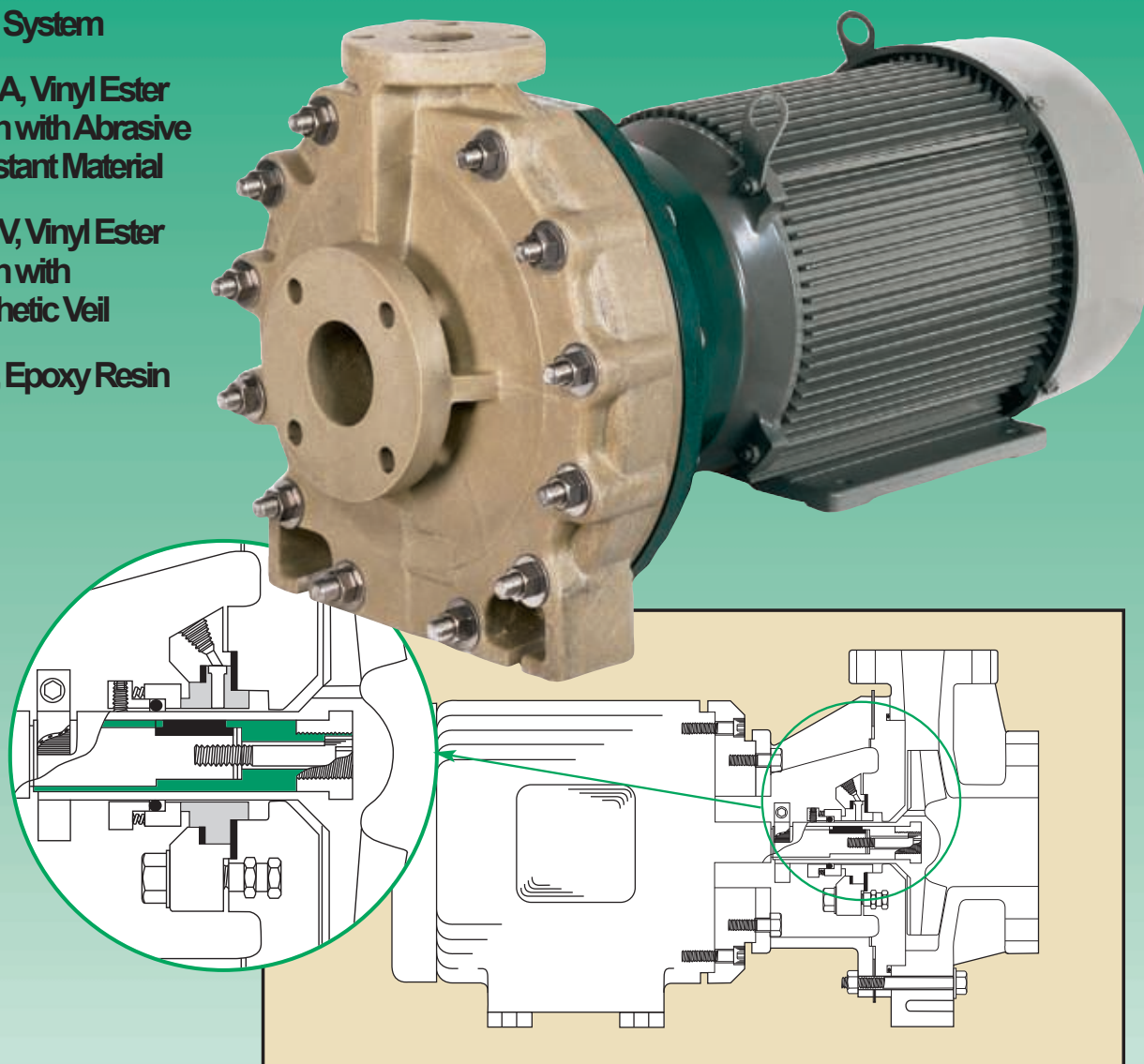
### 16 Sizes

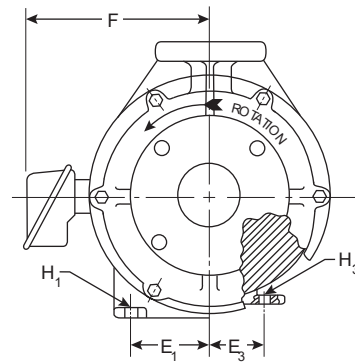
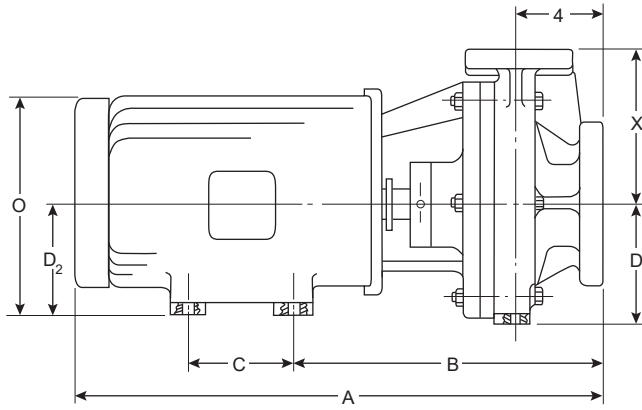
- ✓ Flows to 1500 GPM (345
- ✓ Head) Heads to 400 ft (125 m)
- ✓ C-faced JM Extension Motors up to 50 HP (37 kW)

### Lightweight &

### Space Efficient

- ✓ Ideal for OEM Applications

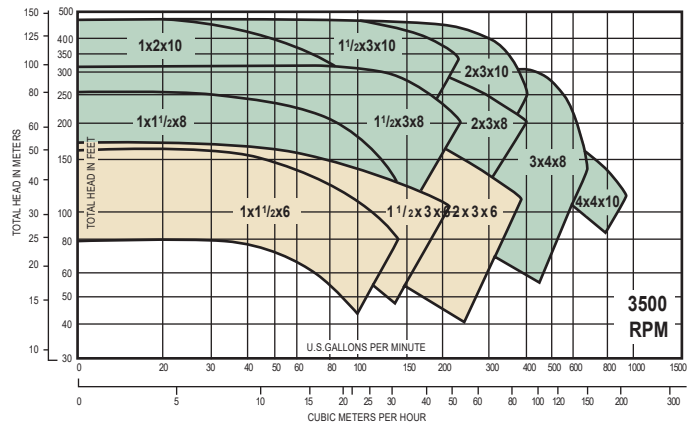
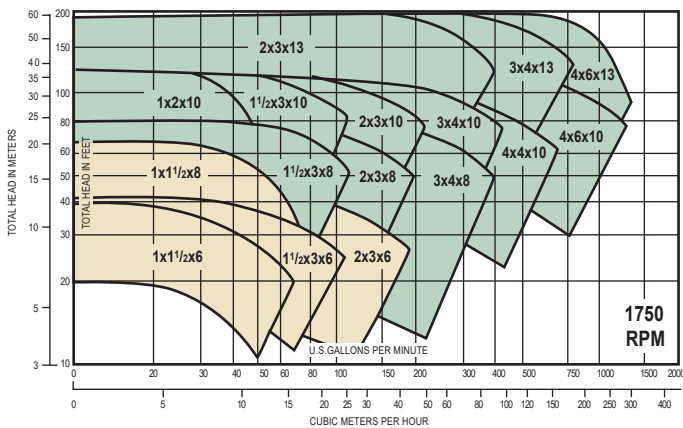




	GROUP I				GROUP II											
PUMP SIZE	1x1½x6	1½x3x6	2x3x6	1x1½x8	1½x3x8	2x3x8	3x4x8	1x2x10	1½x3x10	2x3x10	3x4x10	4x4x10	4x6x10	2x3x3	3x4x13	4x6x13
Suction	1½	3	3	1½	3	3	4	2	3	3	4	4	6	3	4	6
Discharge	1	1½	2	1	1½	2	3	1	1½	2	3	4	4	2	3	4
X	6½	6½	6½	6½	8½	9½	11	8½	8½	9½	11	12½	13½	11½	12½	13½
D	5¼	5¼	5¼	5¼	8¼	8¼	8¼	8¼	8¼	8¼	8¼	8¼	10	10	10	10
E1	3	3	3	3	4⅞	4⅞	4⅞	4⅞	4⅞	4⅞	4⅞	4⅞	4⅞	4⅞	4⅞	4⅞
H1	5/8	5/8	5/8	5/8	5/8	5/8	5/8	5/8	5/8	5/8	5/8	5/8	5/8	5/8	5/8	5/8

Motor Frame	143 JM	145 JM	182 JM	184 JM	213 JM	215 JM	254 JM	256 JM	284 JM	286 JM	324 JM	326 JM
A* Group I Pump	20¼	21¼	22⅝	23⅝	25⅝	26⅓	28⅜	30⅞	—	—	—	—
A* Group II Pump	21¾	22¾	24⅞	25⅞	26⅓	28⅝	29⅞	31⅝	31½	33	33½	35
B* Group I Pump	12⅒	12⅒	13⅞	13⅞	14⅝	14⅝	14⅓	14⅓	—	—	—	—
B* Group II Pump	14⅓	14⅓	14⅝	14⅝	15⅓	15⅓	16⅝	16⅝	16⅝	16⅝	16⅓	16⅓
C	4	5	4½	5½	5½	7	8½	10	9½	11	10½	12
D2	3½	3½	4½	4½	5¼	5¼	6¼	6¼	7	7	8	8
E3	2¾	2¾	3¾	3¾	4¼	4¼	5	5	5½	5½	6¼	6¼
H3	11/32	11/32	13/32	13/32	13/32	13/32	17/32	17/32	17/32	17/32	21/32	21/32
F*	6	6	7⅞	7⅞	8⅓	8⅓	10⅞	10⅞	11⅜	11⅜	13⅝	13⅝
O*	7⅞	7⅞	9⅓	9⅓	11¼	11¼	13½	13½	14⅝	14⅝	16⅒	16⅒

\*DIMENSIONS BASED ON TEFC MOTOR DIMENSIONS - MAY VARY PER MANUFACTURER



700 Emlen Way • Telford, PA 18969  
 P: 215.723.8155 • TOLL-FREE: 800.392.7621 • F: 215.723.2197  
 infoFHS@OneCECO.com • www.cecoenviro.com/fybroc

