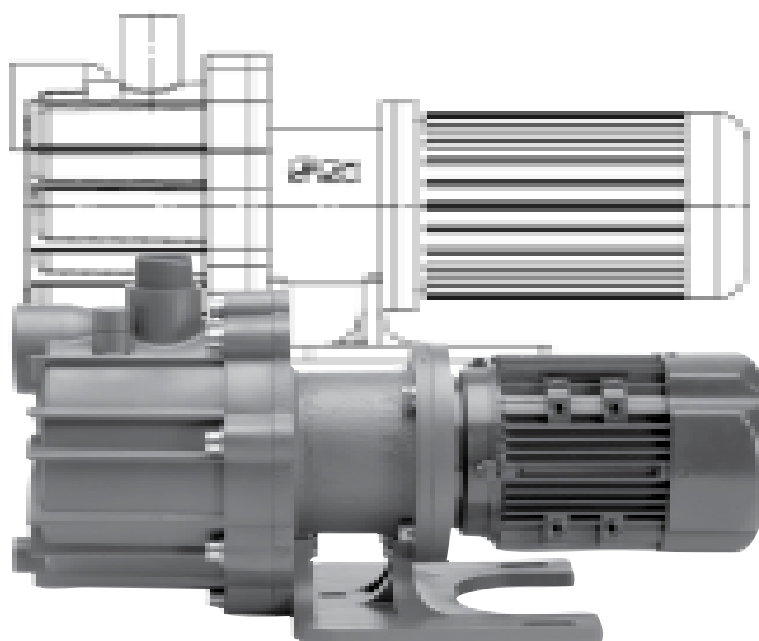


## **SP SERIES OUTLINE DIMENSIONS Self-Priming Pumps**

Literature ID No. FT06-937, Rev. 5



**Illinois Location:**

(847) 841-7867

860 Church Rd Elgin, IL 60123

**Minnesota Location:**

(651) 758-7867

330 Mill Bay South Suite 1511 Afton, MN 55001

[PumpSupplyInc.com](http://PumpSupplyInc.com)



**FINISH THOMPSON INC.**

## Table of Contents

SPI0 Outline Dimensions, Threaded Housing, R100537..... 3  
 SPI0 Outline Dimensions, Union Housing, R100564 ..... 4  
 SPI0 Outline Dimensionns, Flanged Housing, R100565..... 5  
 SPII/15 Outline Dimensions, R100437..... 6  
 SPII/15 Outline Dimensions, Union Housing, R100438 ..... 7  
 SPII/15 Outline Dimensions, Flanged Housing, R100439..... 8

SPII/15 Outline Dimensions, 80/90 B5 frame, R100465 ..... 9  
 SPII/15 Outline Dimensions, 80/90 B5 frame, Union Housing, R100466..... 10  
 SPII/15 Outline Dimensions, 80/90 B5 frame, Flanged Housing, R100467 ..... 11

SPII/15 Outline Dimensions, 100/112 B5 frame, R100469..... 12  
 SPII/15 Outline Dimensions, 100/112 B5 frame, Union Housing, R100470 ..... 13  
 SPII/15 Outline Dimensions, 100/112 B5 frame, Flanged Housing, R100471 ..... 14

SP22 Outline Dimensions, Threaded Housing, R100538..... 15  
 SP22 Outline Dimensions, Union Housing, R100539..... 16  
 SP22 Outline Dimensions, Flanged Housing, R100540..... 17  
 SP32 Outline Dimensions, Flanged Housing, R101761..... 18

### Contact Information:

Finish Thompson Inc.  
 921 Greengarden Rd.  
 Erie, PA 16501-1591 USA



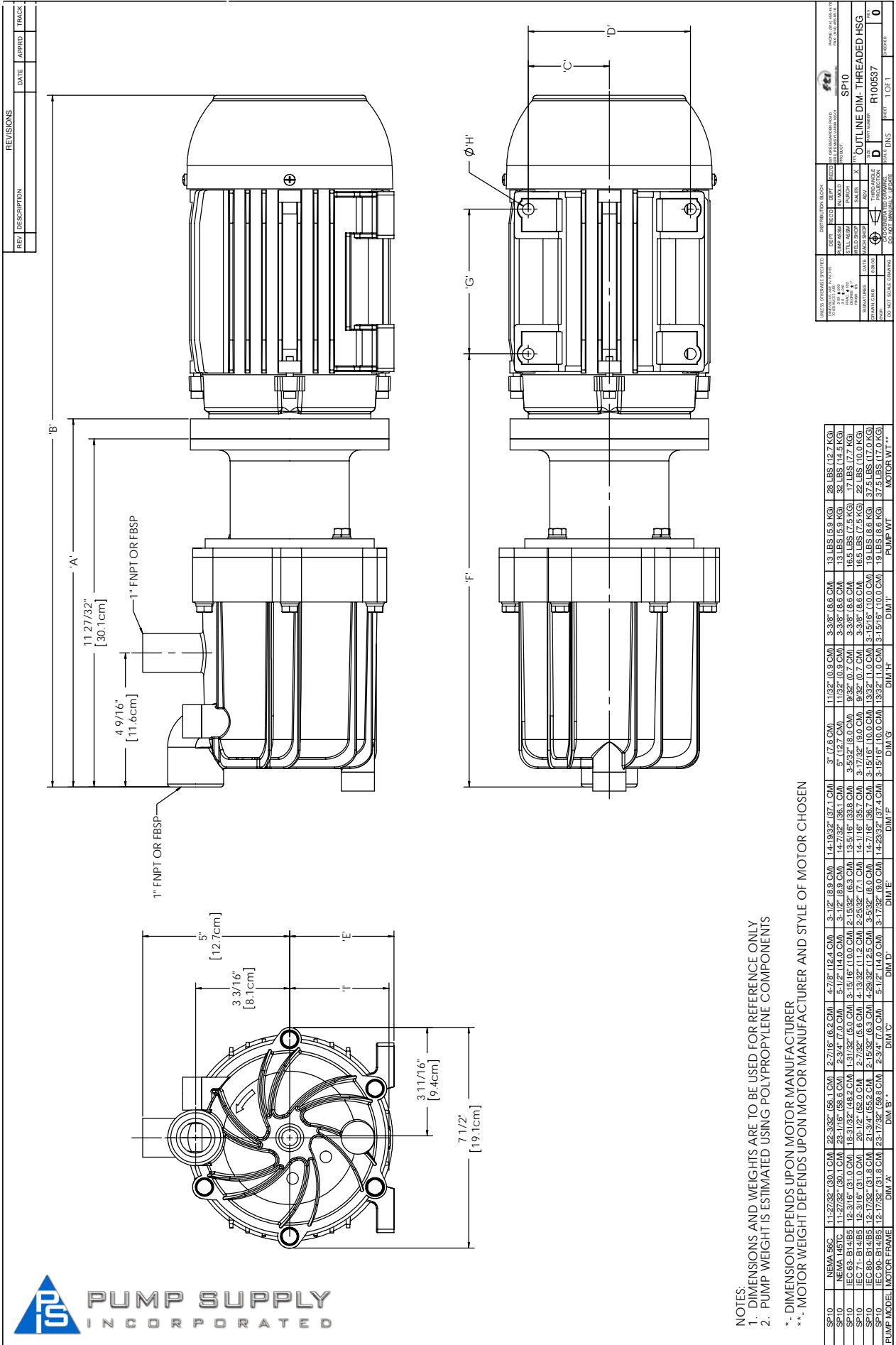
#### Illinois Location:

(847) 841-7867  
 860 Church Rd Elgin, IL 60123

#### Minnesota Location:

(651) 758-7867  
 330 Mill Bay South Suite 1511 Afton, MN 55001

PumpSupplyInc.com



NOTES:  
 1. DIMENSIONS AND WEIGHTS ARE TO BE USED FOR REFERENCE ONLY  
 2. PUMP WEIGHT IS ESTIMATED USING POLYPROPYLENE COMPONENTS  
 \* - DIMENSION DEPENDS UPON MOTOR MANUFACTURER  
 \*\* - MOTOR WEIGHT DEPENDS UPON MOTOR MANUFACTURER AND STYLE OF MOTOR CHOSEN



**REVISIONS**

REV	DESCRIPTION	DATE	APPROV	TRACK

**NOTES:**

- DIMENSIONS AND WEIGHTS ARE TO BE USED FOR REFERENCE ONLY
- PUMP WEIGHT IS ESTIMATED USING POLYPROPYLENE COMPONENTS

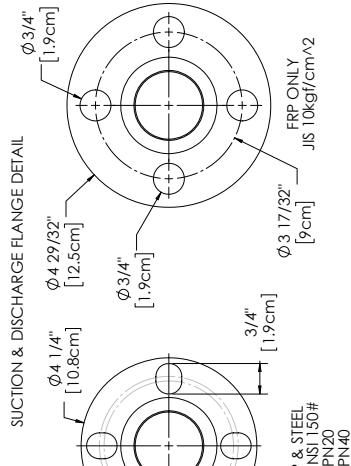
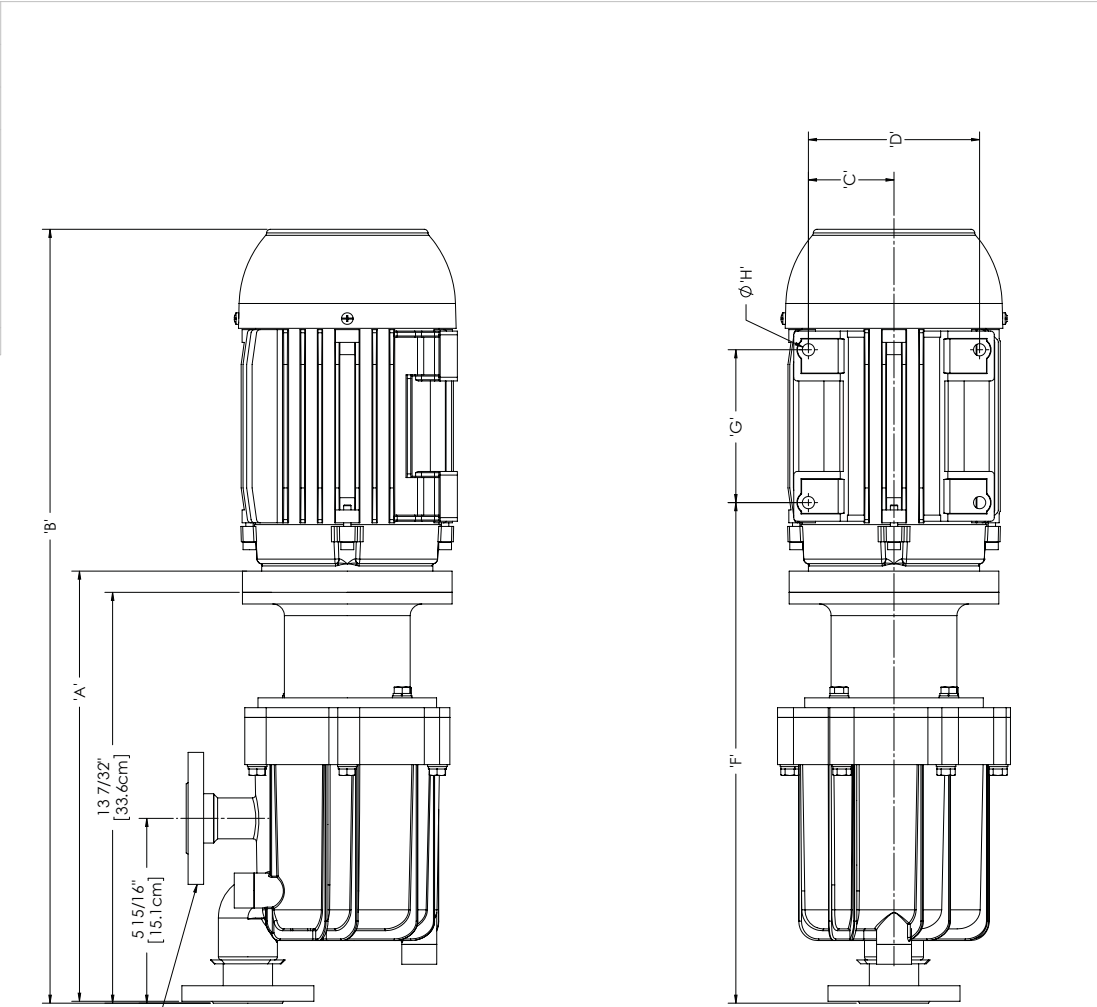
\*- DIMENSION DEPENDS UPON MOTOR MANUFACTURER AND STYLE OF MOTOR CHOSEN  
 \*\*- MOTOR WEIGHT DEPENDS UPON MOTOR MANUFACTURER

PUMP MODEL	MOTOR FRAME	DIM A	DIM B*	DIM C	DIM D	DIM E	DIM F	DIM G	DIM H	DIM I	DIM J	MOTOR WT**	PUMP WT
SP10	NEVA 56C	13-5/16" [33.9 CM]	23-9/16" [59.8 CM]	2-7/16" [6.2 CM]	4-7/8" [12.4 CM]	3-1/2" [8.9 CM]	16-1/16" [40.8 CM]	3-1/2" [8.9 CM]	11-23" [29.3 CM]	3-3/8" [8.6 CM]	3-3/8" [8.6 CM]	13 LBS [5.9 KG]	28 LBS [12.7 KG]
SP10	NEVA 45C	13-5/16" [33.9 CM]	24-7/16" [62.3 CM]	2-7/16" [6.2 CM]	5-1/2" [14.0 CM]	3-1/2" [8.9 CM]	15-1/16" [38.8 CM]	3-3/8" [8.6 CM]	11-23" [29.3 CM]	3-3/8" [8.6 CM]	3-3/8" [8.6 CM]	13 LBS [5.9 KG]	32 LBS [14.5 KG]
SP10	EC 63-B14/B5	13-5/16" [33.9 CM]	20-15/32" [52.0 CM]	2-15/32" [6.3 CM]	4-13/16" [11.0 CM]	3-5/32" [8.0 CM]	14-13/16" [37.6 CM]	3-5/32" [8.0 CM]	9-3/2" [24.1 CM]	3-3/8" [8.6 CM]	3-3/8" [8.6 CM]	16.5 LBS [7.5 KG]	17 LBS [7.7 KG]
SP10	EC 71-B14/B5	13-5/16" [33.9 CM]	21-13/32" [55.8 CM]	2-7/16" [6.2 CM]	4-13/16" [11.0 CM]	3-5/32" [8.0 CM]	15-9/16" [39.9 CM]	3-5/32" [8.0 CM]	9-3/2" [24.1 CM]	3-3/8" [8.6 CM]	3-3/8" [8.6 CM]	16.5 LBS [7.5 KG]	22 LBS [10.0 KG]
SP10	EC 80-B14/B5	13-5/16" [33.9 CM]	24" [61.0 CM]	2-15/32" [6.3 CM]	4-29/32" [12.5 CM]	3-5/32" [8.0 CM]	15-29/32" [40.4 CM]	3-5/32" [8.0 CM]	13-3/2" [34.6 CM]	3-15/16" [10.0 CM]	3-15/16" [10.0 CM]	19 LBS [8.6 KG]	37.5 LBS [17.0 KG]
SP10	EC 90-B14/B5	13-5/16" [33.9 CM]	25-1/2" [63.5 CM]	2-7/16" [6.2 CM]	5-1/2" [14.0 CM]	3-1/2" [8.9 CM]	16-7/32" [41.2 CM]	3-15/16" [10.0 CM]	13-3/2" [34.6 CM]	3-15/16" [10.0 CM]	3-15/16" [10.0 CM]	19 LBS [8.6 KG]	37.5 LBS [17.0 KG]

UNION HOUSING SPECIFICATIONS	UNION HOUSING MATERIALS	UNION HOUSING FINISH	UNION HOUSING WEIGHT	UNION HOUSING PART NUMBER
UNION HOUSING SPECIFICATIONS	UNION HOUSING MATERIALS	UNION HOUSING FINISH	UNION HOUSING WEIGHT	UNION HOUSING PART NUMBER
UNION HOUSING SPECIFICATIONS	UNION HOUSING MATERIALS	UNION HOUSING FINISH	UNION HOUSING WEIGHT	UNION HOUSING PART NUMBER

**REVISIONS**

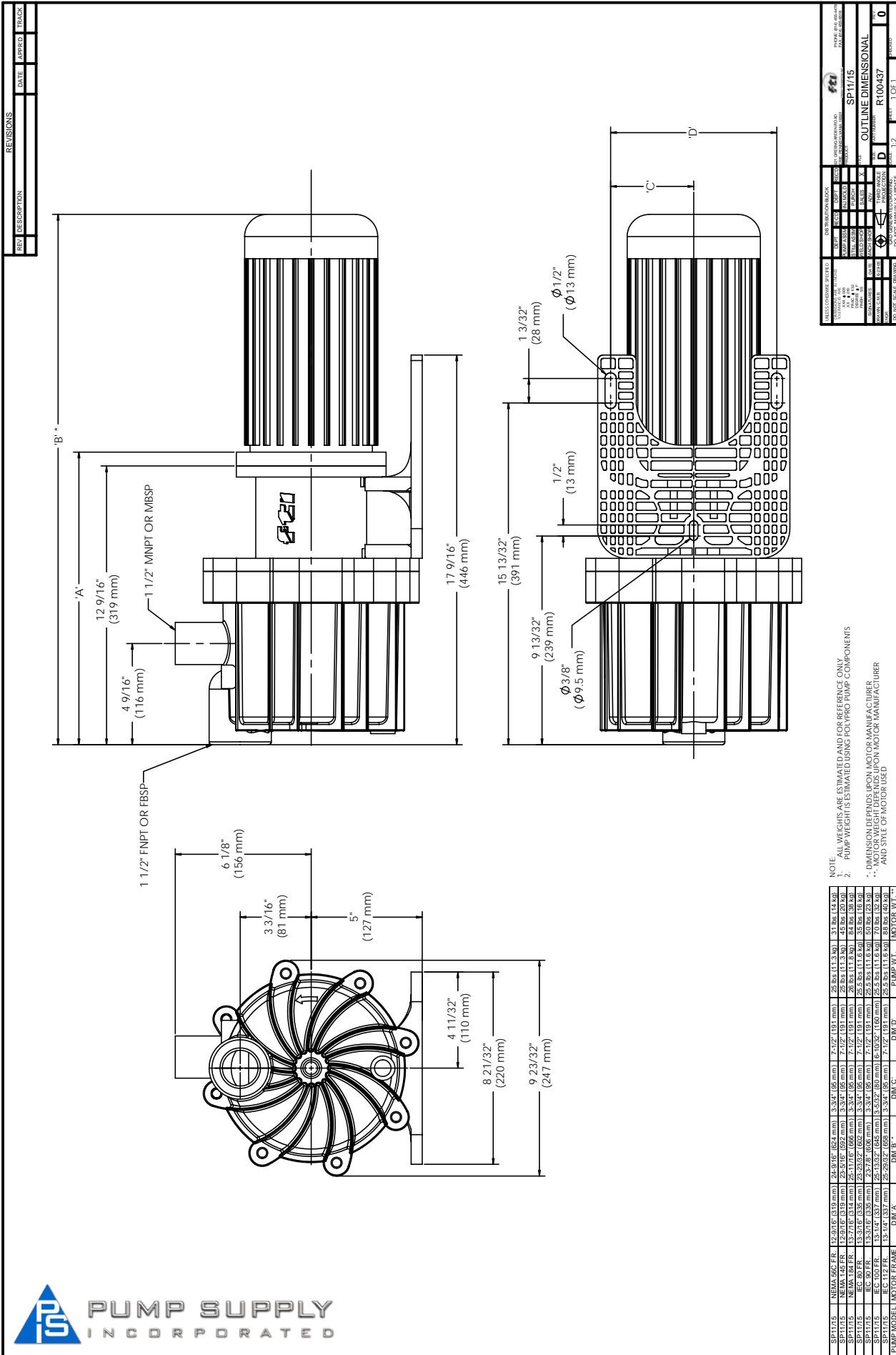
REV	DESCRIPTION	DATE	APPRD	TRACK
1	ADDED JIS FLANGE	5/01/18	TDS	



NOTES:  
1. DIMENSIONS AND WEIGHTS ARE TO BE USED FOR REFERENCE ONLY  
2. PUMP WEIGHT IS ESTIMATED USING POLYPROPYLENE COMPONENTS  
\*- DIMENSION DEPENDS UPON MOTOR MANUFACTURER  
\*\*- MOTOR WEIGHT DEPENDS UPON MOTOR MANUFACTURER AND STYLE OF MOTOR CHOSEN

UNLESS OTHERWISE SPECIFIED	ALL DIMENSIONS IN INCHES	DISTRIBUTION BLOCK	FRP	FRP	FRP	FRP	FRP	FRP	FRP	FRP	FRP	FRP	FRP	FRP	FRP	FRP	FRP	FRP	FRP	FRP	FRP	FRP	FRP
FRP	FRP	FRP	FRP	FRP	FRP	FRP	FRP	FRP	FRP	FRP	FRP	FRP	FRP	FRP	FRP	FRP	FRP	FRP	FRP	FRP	FRP	FRP	FRP
FRP	FRP	FRP	FRP	FRP	FRP	FRP	FRP	FRP	FRP	FRP	FRP	FRP	FRP	FRP	FRP	FRP	FRP	FRP	FRP	FRP	FRP	FRP	FRP
FRP	FRP	FRP	FRP	FRP	FRP	FRP	FRP	FRP	FRP	FRP	FRP	FRP	FRP	FRP	FRP	FRP	FRP	FRP	FRP	FRP	FRP	FRP	FRP

PUMP MODEL	MOTOR FRAME	Ø3 11/32"	Ø5/8"	Ø3 1/8"	Ø4 1/4"	Ø4 29/32"	Ø3 3/4"	Ø3 17/32"	Ø3 1/8"	Ø3 1/8"	Ø3 1/8"	Ø3 1/8"	Ø3 1/8"	Ø3 1/8"	Ø3 1/8"	Ø3 1/8"	Ø3 1/8"	Ø3 1/8"	Ø3 1/8"	Ø3 1/8"	Ø3 1/8"	Ø3 1/8"	Ø3 1/8"
SP10	NEMA 56C	13-7/32" (33.6 CM)	23.16/32" (59.4 CM)	23.16/32" (59.4 CM)	23.16/32" (59.4 CM)	23.16/32" (59.4 CM)	23.16/32" (59.4 CM)	23.16/32" (59.4 CM)	23.16/32" (59.4 CM)	23.16/32" (59.4 CM)	23.16/32" (59.4 CM)	23.16/32" (59.4 CM)	23.16/32" (59.4 CM)	23.16/32" (59.4 CM)	23.16/32" (59.4 CM)	23.16/32" (59.4 CM)	23.16/32" (59.4 CM)	23.16/32" (59.4 CM)	23.16/32" (59.4 CM)	23.16/32" (59.4 CM)	23.16/32" (59.4 CM)	23.16/32" (59.4 CM)	23.16/32" (59.4 CM)
SP10	NEMA 145TC	13-7/32" (33.6 CM)	23.16/32" (59.4 CM)	23.16/32" (59.4 CM)	23.16/32" (59.4 CM)	23.16/32" (59.4 CM)	23.16/32" (59.4 CM)	23.16/32" (59.4 CM)	23.16/32" (59.4 CM)	23.16/32" (59.4 CM)	23.16/32" (59.4 CM)	23.16/32" (59.4 CM)	23.16/32" (59.4 CM)	23.16/32" (59.4 CM)	23.16/32" (59.4 CM)	23.16/32" (59.4 CM)	23.16/32" (59.4 CM)	23.16/32" (59.4 CM)	23.16/32" (59.4 CM)	23.16/32" (59.4 CM)	23.16/32" (59.4 CM)	23.16/32" (59.4 CM)	23.16/32" (59.4 CM)
SP10	EC-63 B14/B5	13-11/16" (34.8 CM)	24-1/16" (64.4 CM)	24-1/16" (64.4 CM)	24-1/16" (64.4 CM)	24-1/16" (64.4 CM)	24-1/16" (64.4 CM)	24-1/16" (64.4 CM)	24-1/16" (64.4 CM)	24-1/16" (64.4 CM)	24-1/16" (64.4 CM)	24-1/16" (64.4 CM)	24-1/16" (64.4 CM)	24-1/16" (64.4 CM)	24-1/16" (64.4 CM)	24-1/16" (64.4 CM)	24-1/16" (64.4 CM)	24-1/16" (64.4 CM)	24-1/16" (64.4 CM)	24-1/16" (64.4 CM)	24-1/16" (64.4 CM)	24-1/16" (64.4 CM)	24-1/16" (64.4 CM)
SP10	EC-71 B14/B5	13-11/16" (34.8 CM)	21-7/8" (55.6 CM)	21-7/8" (55.6 CM)	21-7/8" (55.6 CM)	21-7/8" (55.6 CM)	21-7/8" (55.6 CM)	21-7/8" (55.6 CM)	21-7/8" (55.6 CM)	21-7/8" (55.6 CM)	21-7/8" (55.6 CM)	21-7/8" (55.6 CM)	21-7/8" (55.6 CM)	21-7/8" (55.6 CM)	21-7/8" (55.6 CM)	21-7/8" (55.6 CM)	21-7/8" (55.6 CM)	21-7/8" (55.6 CM)	21-7/8" (55.6 CM)	21-7/8" (55.6 CM)	21-7/8" (55.6 CM)	21-7/8" (55.6 CM)	21-7/8" (55.6 CM)
SP10	EC-89 B14/B5	13-7/32" (33.2 CM)	23-7/8" (60.6 CM)	23-7/8" (60.6 CM)	23-7/8" (60.6 CM)	23-7/8" (60.6 CM)	23-7/8" (60.6 CM)	23-7/8" (60.6 CM)	23-7/8" (60.6 CM)	23-7/8" (60.6 CM)	23-7/8" (60.6 CM)	23-7/8" (60.6 CM)	23-7/8" (60.6 CM)	23-7/8" (60.6 CM)	23-7/8" (60.6 CM)	23-7/8" (60.6 CM)	23-7/8" (60.6 CM)	23-7/8" (60.6 CM)	23-7/8" (60.6 CM)	23-7/8" (60.6 CM)	23-7/8" (60.6 CM)	23-7/8" (60.6 CM)	23-7/8" (60.6 CM)
SP10	EC-93 B14/B5	13-7/32" (33.2 CM)	24-29/32" (63.3 CM)	24-29/32" (63.3 CM)	24-29/32" (63.3 CM)	24-29/32" (63.3 CM)	24-29/32" (63.3 CM)	24-29/32" (63.3 CM)	24-29/32" (63.3 CM)	24-29/32" (63.3 CM)	24-29/32" (63.3 CM)	24-29/32" (63.3 CM)	24-29/32" (63.3 CM)	24-29/32" (63.3 CM)	24-29/32" (63.3 CM)	24-29/32" (63.3 CM)	24-29/32" (63.3 CM)	24-29/32" (63.3 CM)	24-29/32" (63.3 CM)	24-29/32" (63.3 CM)	24-29/32" (63.3 CM)	24-29/32" (63.3 CM)	24-29/32" (63.3 CM)
	MOTOR FRAME	Ø3 11/32"	Ø5/8"	Ø3 1/8"	Ø4 1/4"	Ø4 29/32"	Ø3 3/4"	Ø3 17/32"	Ø3 1/8"	Ø3 1/8"	Ø3 1/8"	Ø3 1/8"	Ø3 1/8"	Ø3 1/8"	Ø3 1/8"	Ø3 1/8"	Ø3 1/8"	Ø3 1/8"	Ø3 1/8"	Ø3 1/8"	Ø3 1/8"	Ø3 1/8"	Ø3 1/8"
		DIM A	DIM B	DIM C	DIM D	DIM E	DIM F	DIM G	DIM H	DIM I	DIM J	DIM K	DIM L	DIM M	DIM N	DIM O	DIM P	DIM Q	DIM R	DIM S	DIM T	DIM U	DIM V



REVISIONS		DATE	APPROVED	TRACK

MULTI-DIMENSION SYSTEMS		DISTRIBUTION BLOCK	

DESIGNATION BLOCK	

DRAWING INFORMATION	

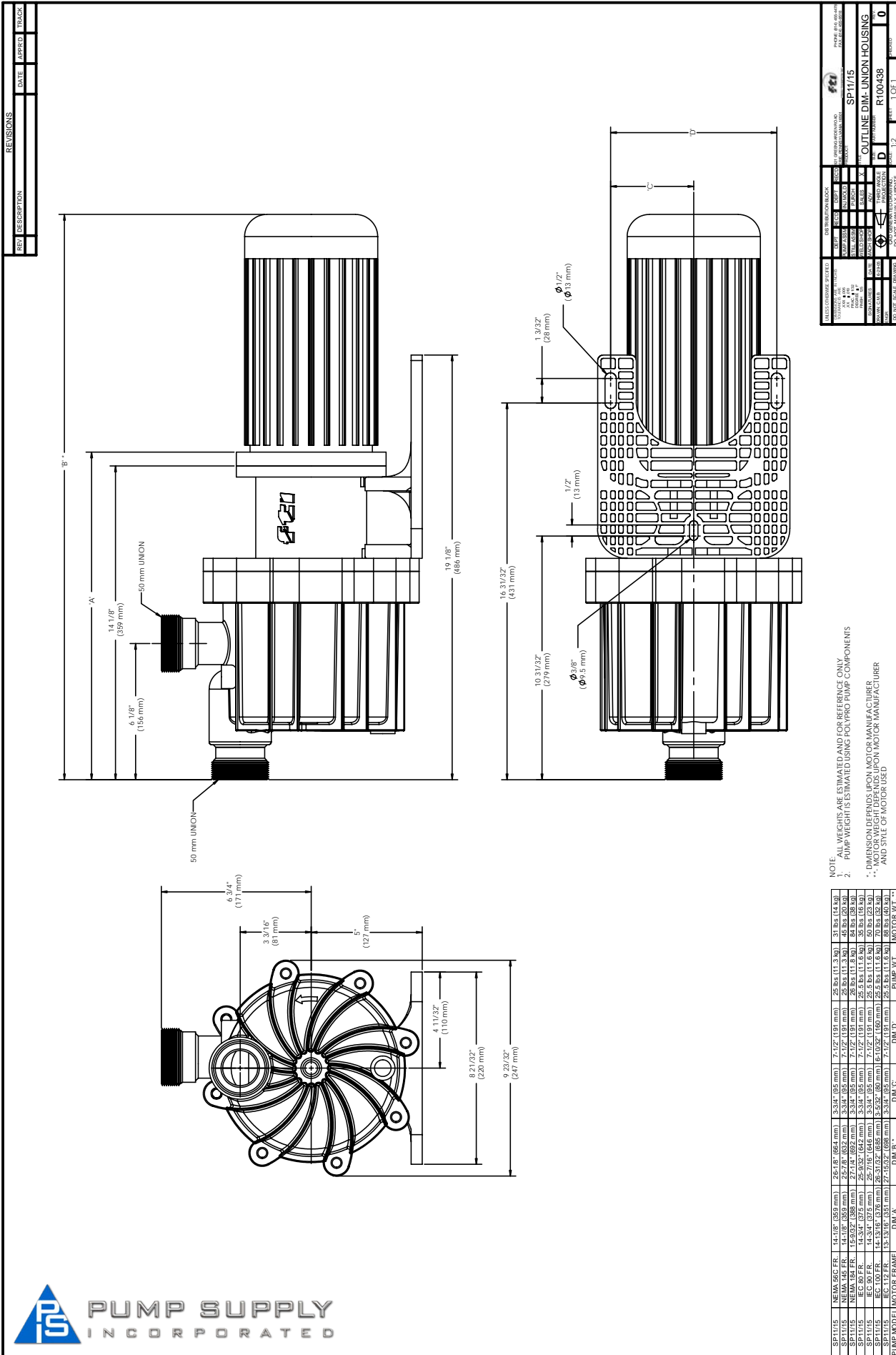
DRAWING INFORMATION	

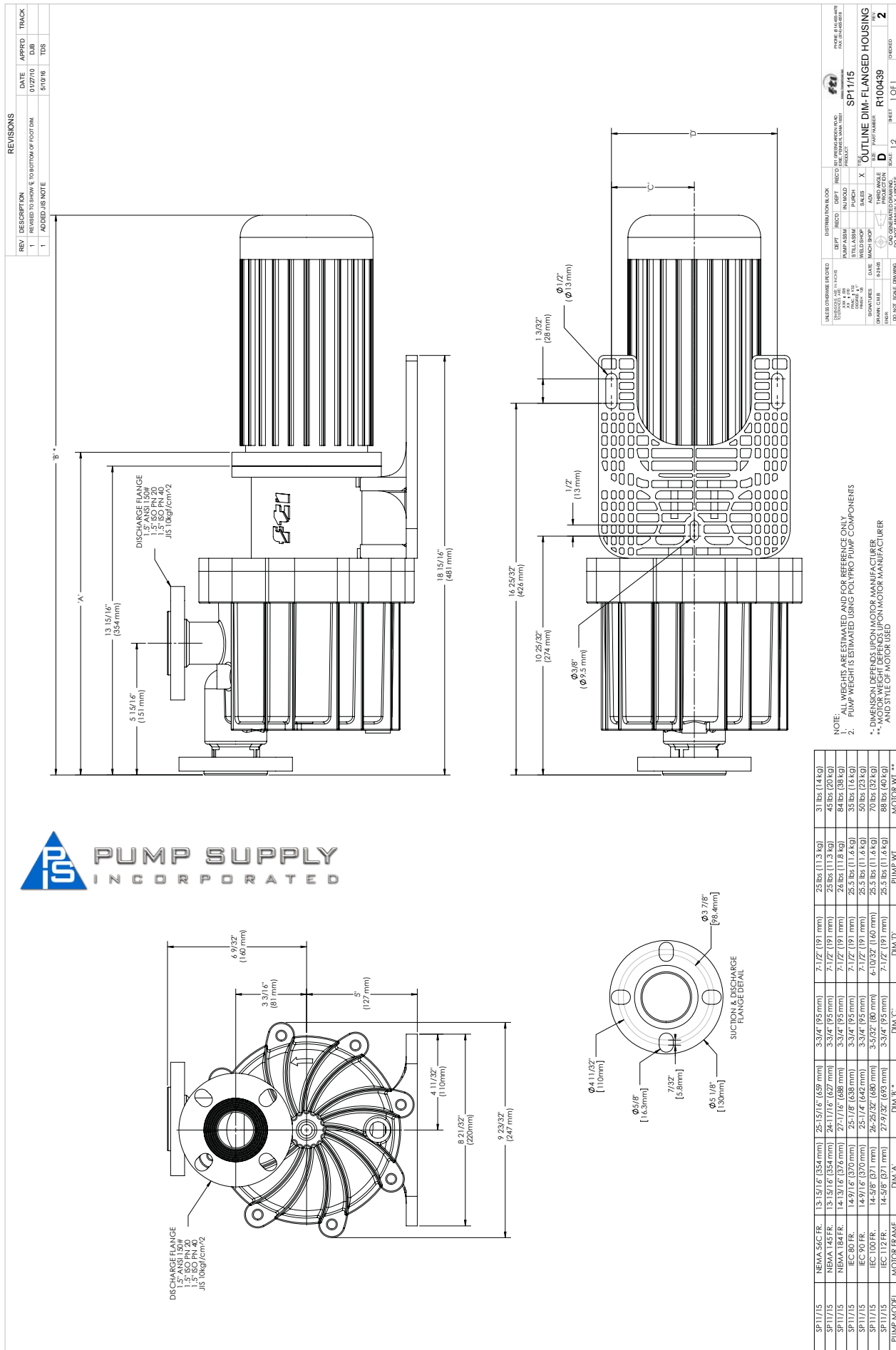
  

DRAWING INFORMATION	

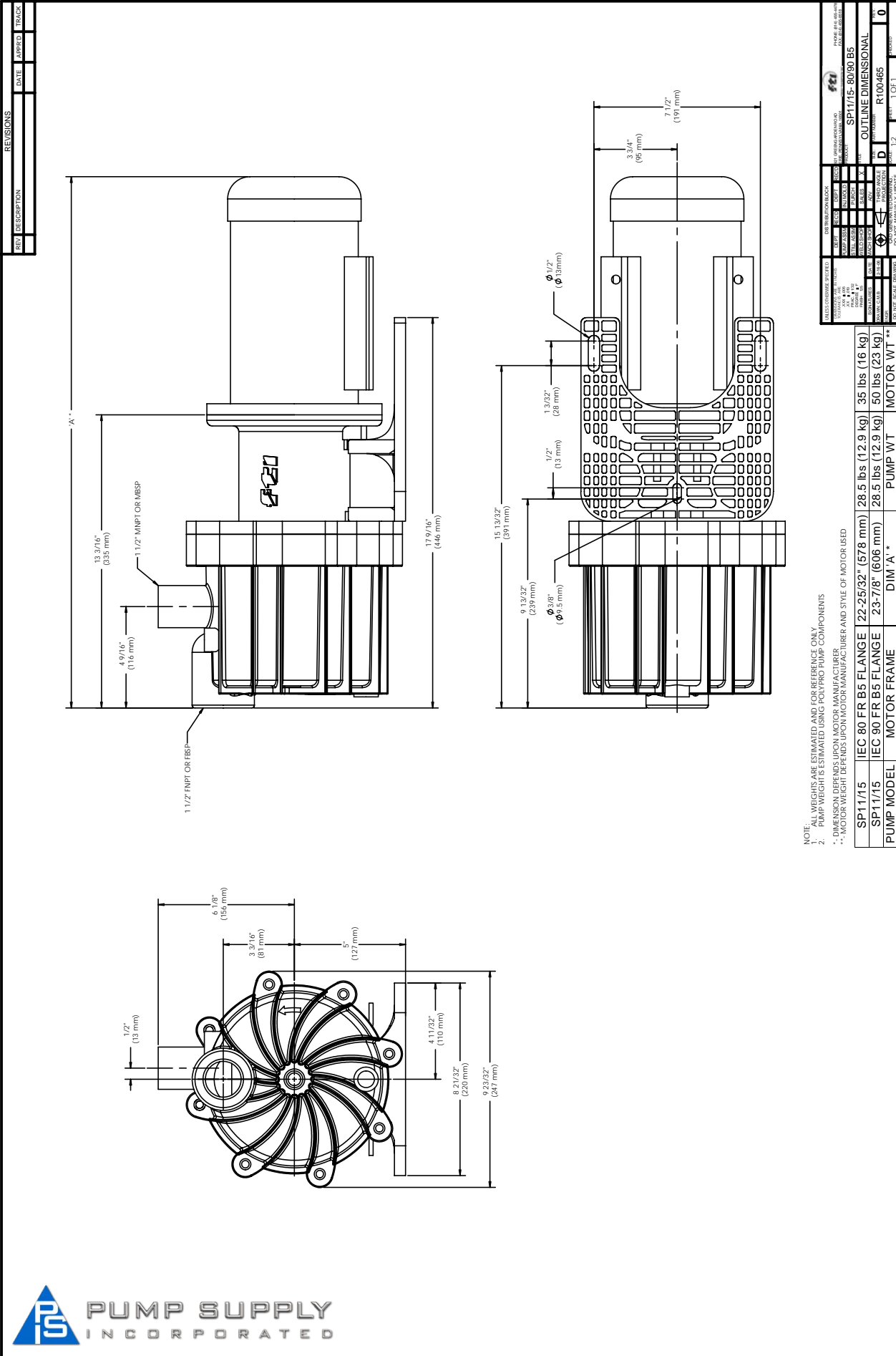
NOTE:  
 1. ALL WEIGHTS ARE ESTIMATED AND FOR REFERENCE ONLY.  
 2. PUMP WEIGHT IS ESTIMATED USING POLYPRO PUMP COMPONENTS.  
 \* DIMENSION DEPENDS UPON MOTOR MANUFACTURER.  
 \*\* MOTOR WEIGHT DEPENDS UPON MOTOR MANUFACTURER AND STYLE OF MOTOR USED.

PUMP MODEL	MOTOR FRAME	DWA	DWA B*	DWA C	DWA D	DWA E	MOTOR WT**
SP11/15	NEMA 56C FR	12-201/6" (319 mm)	26-91/16" (684 mm)	3-3/4" (95 mm)	7-1/2" (191 mm)	26 lbs (11.3 kg)	31 lbs (14.0 kg)
SP11/15	NEMA 145F FR	12-201/6" (319 mm)	22-51/16" (592 mm)	3-3/4" (95 mm)	7-1/2" (191 mm)	26 lbs (11.3 kg)	45 lbs (20.4 kg)
SP11/15	NEMA 154F FR	13-7/16" (344 mm)	22-11/16" (586 mm)	3-3/4" (95 mm)	7-1/2" (191 mm)	26 lbs (11.3 kg)	84 lbs (38.1 kg)
SP11/15	IEC 90 FR	13-1/2" (338 mm)	22-3/8" (570 mm)	3-3/4" (95 mm)	7-1/2" (191 mm)	26 lbs (11.3 kg)	30 lbs (13.6 kg)
SP11/15	IEC 100 FR	13-1/4" (337 mm)	22-3/8" (570 mm)	3-3/4" (95 mm)	7-1/2" (191 mm)	26 lbs (11.3 kg)	30 lbs (13.6 kg)
SP11/15	IEC 112 FR	13-1/4" (337 mm)	22-29/32" (588 mm)	3-3/4" (95 mm)	7-1/2" (191 mm)	25.5 lbs (11.6 kg)	85 lbs (38.6 kg)









REV	DESCRIPTION	DATE	APPROVED	TRACK

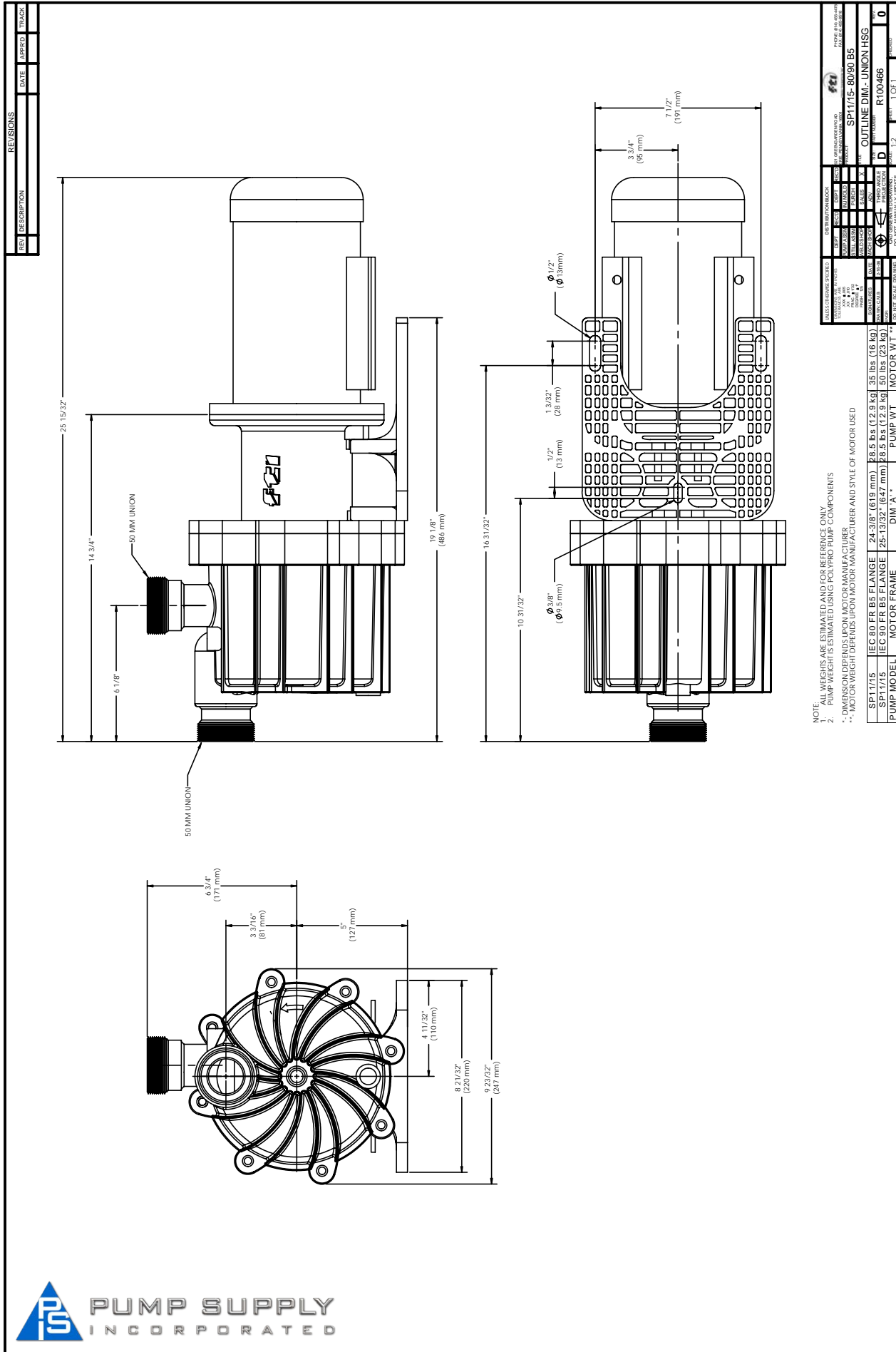
NOTE:  
1. WEIGHTS ARE ESTIMATED AND FOR REFERENCE ONLY.  
2. PUMP WEIGHT IS ESTIMATED USING POLYPRO PUMP COMPONENTS  
\* DIMENSION DEPENDS UPON MOTOR MANUFACTURER  
\*\* MOTOR WEIGHT DEPENDS UPON MOTOR MANUFACTURER AND STYLE OF MOTOR USED

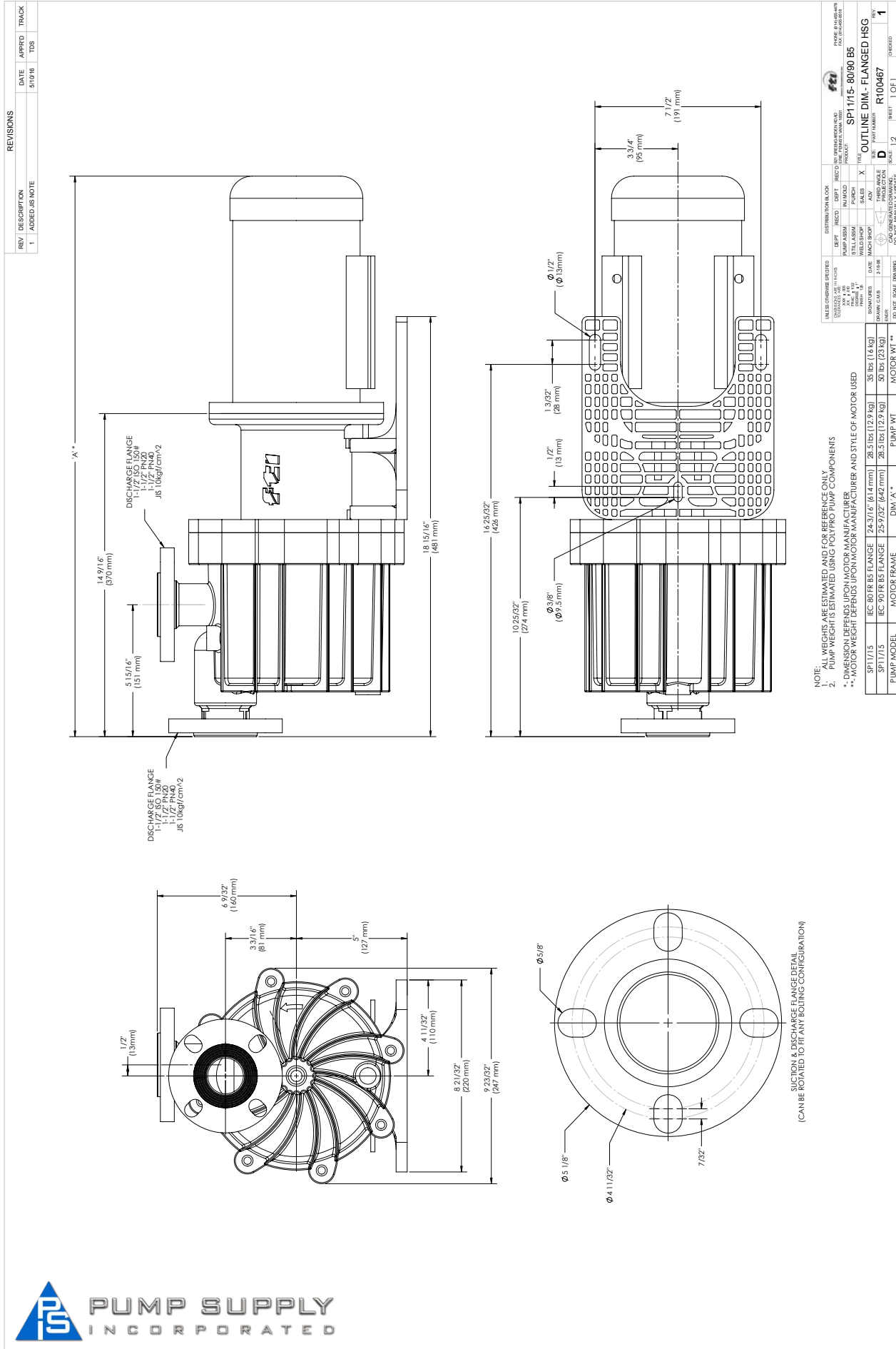
PUMP MODEL	MOTOR FRAME	MOTOR DIM 'A'	MOTOR WT	PUMP WT	MOTOR WT **
SP11/15	IEC 80 FR B5 FLANGE	22-25/32" (578 mm)	28.5 lbs (12.9 kg)	35 lbs (16 kg)	35 lbs (16 kg)
SP11/15	IEC 90 FR B5 FLANGE	23-7/8" (606 mm)	28.5 lbs (12.9 kg)	50 lbs (23 kg)	50 lbs (23 kg)

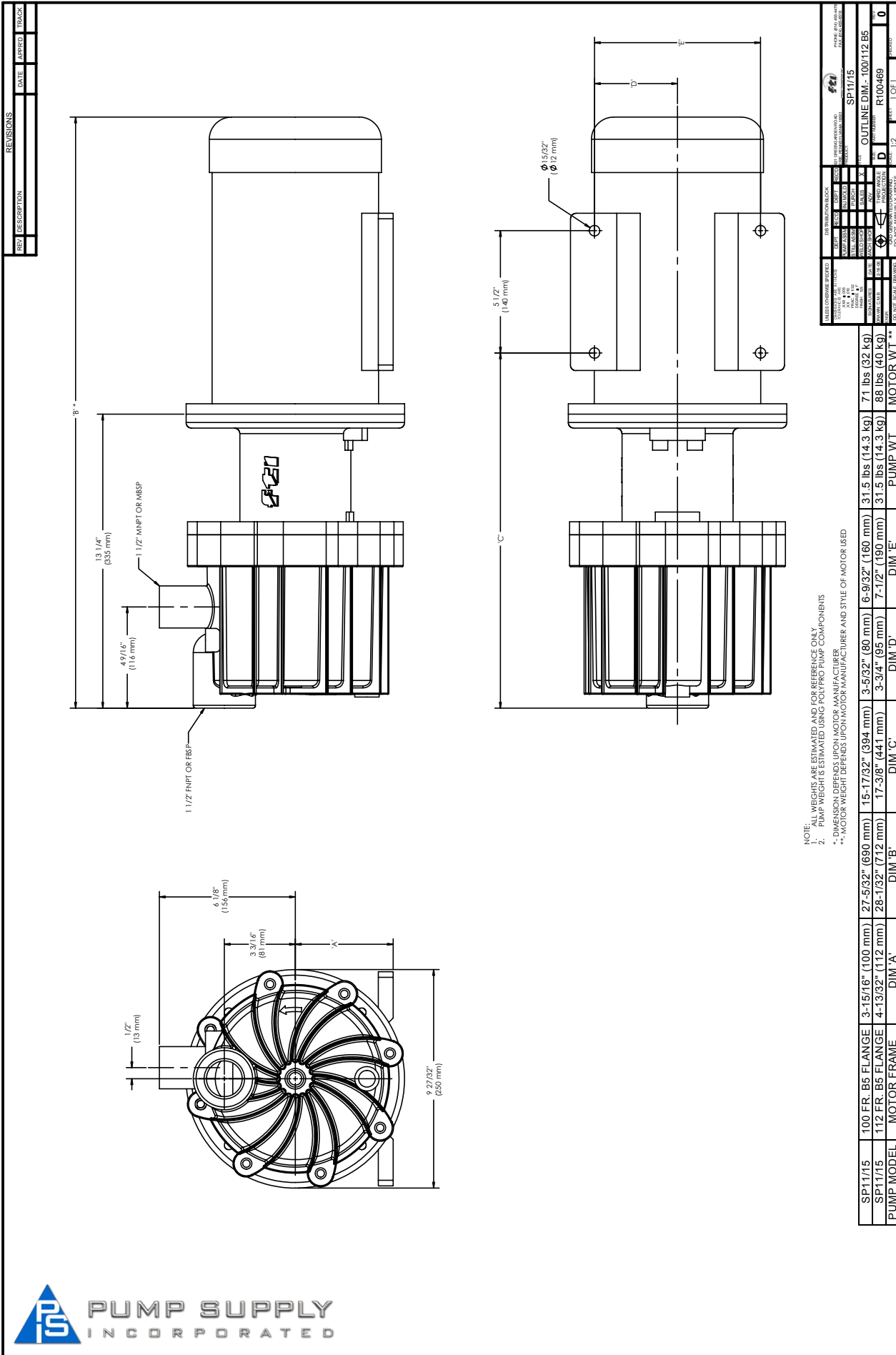
REVISIONS	DATE	APPROVED	TRACK

**0**











REV	DESCRIPTION	DATE	APPROV	TRACK
1	ADDED JIS NOTES	5/10/16	TDS	

**REVISIONS**

UNLESS OTHERWISE SPECIFIED: DIMENSIONS IN PARENT SQUARES ARE IN INCHES AND DIMENSIONS IN BRACKETS ARE IN MILLIMETERS.

STILL ASSEMBLY: DRAWING IS FOR REFERENCE ONLY. DIMENSIONS ARE ESTIMATED. FOR PUMP COMPONENTS, DIMENSIONS DEPEND UPON MOTOR MANUFACTURER AND STYLE OF MOTOR USED.

SALES: X  
 WELD SHOP: X  
 FINISH: X  
 PACKAGING: X  
 DRAWING: X  
 CHECKED: X  
 APPROVED: X  
 DATE: X  
 SCALE: X  
 SHEET: 1 OF 1

**SP11/15 - 000/112 B5**  
**OUTLINE DIM - FLANGED HSG**

PUMP MODEL	MOTOR FRAME	DIM A	DIM B	DIM C	DIM D	DIM E	DIM F	PUMP WT
SP11/15	100 FR. B5 FLANGE	3-15/16" (90 mm)	27-5/32" (690 mm)	15-17/32" (394 mm)	3-5/32" (80 mm)	6-9/32" (161 mm)	31.5 lbs (14.3 kg)	
	112 FR. B5 FLANGE	4-13/32" (112 mm)	28-17/32" (712 mm)	17-5/8" (441 mm)	3-5/32" (80 mm)	7-1/2" (190 mm)	31.5 lbs (14.3 kg)	

**NOTE:**  
 1. WEIGHTS ARE ESTIMATED AND FOR REFERENCE ONLY.  
 2. PUMP WEIGHT IS ESTIMATED (NO MOTOR WEIGHT COMPONENTS).  
 \* DIMENSIONS DEPEND UPON MOTOR MANUFACTURER AND STYLE OF MOTOR USED.  
 \*\* MOTOR WEIGHT DEPENDS UPON MOTOR MANUFACTURER AND STYLE OF MOTOR USED.

**SUCTION & DISCHARGE FLANGE DETAIL**  
 (CAN BE ROTATED FOR ANY BOLTING CONFIGURATION)

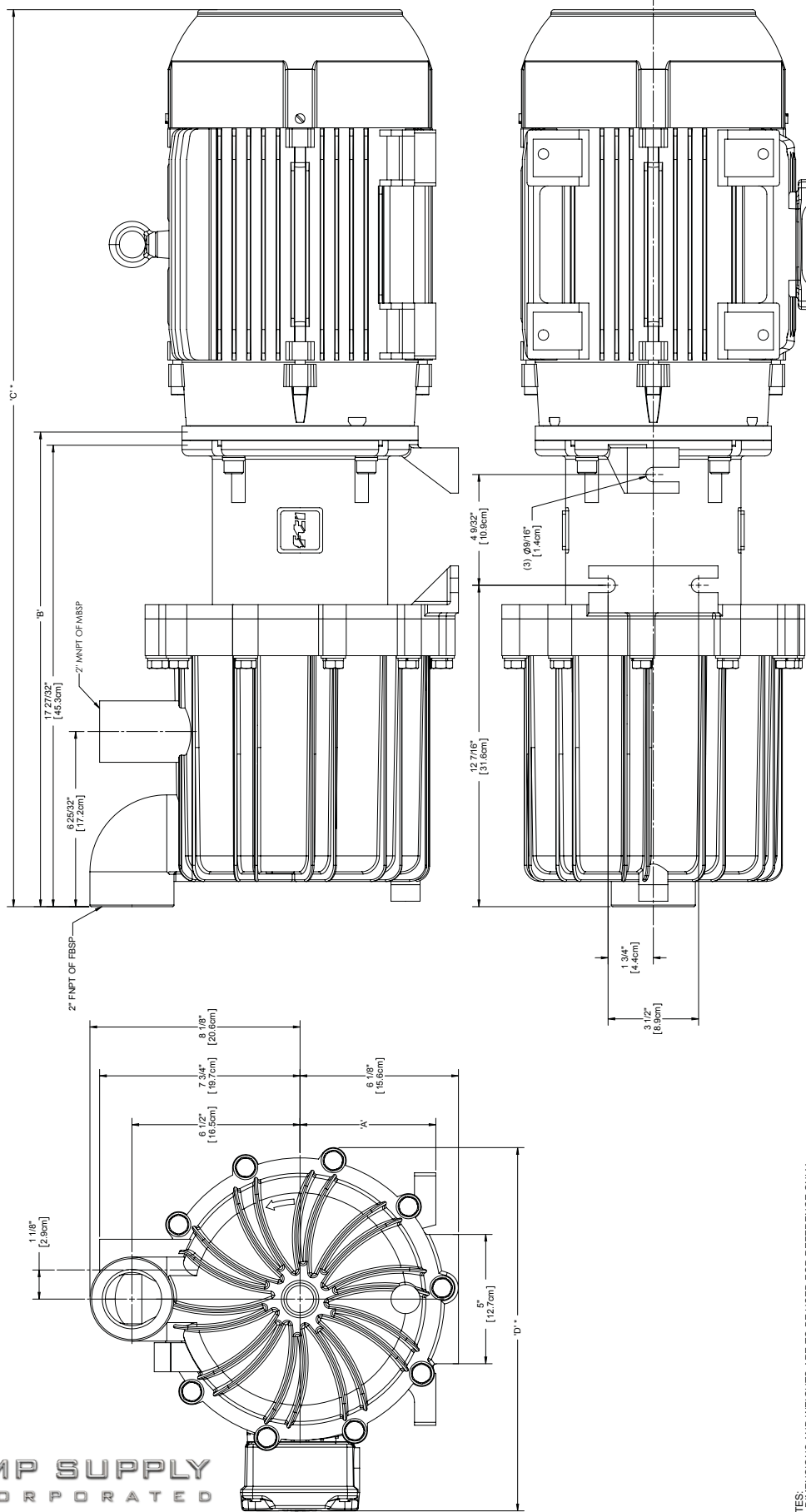
**DISCHARGE FLANGE**  
 1 1/2" ANSI 150#  
 1 1/2" FN40  
 JIS 10kgf/cm<sup>2</sup>

**SUCTION FLANGE**  
 1 1/2" ANSI 150#  
 1 1/2" FN40  
 JIS 10kgf/cm<sup>2</sup>

**Dimensions:**  
 14-5/8" [371.7mm]  
 5-15/16" [151.1mm]  
 17-3/8" [441.7mm]  
 5-1/2" [140mm]  
 5/32" [7.9mm]  
 1/2" [12.7mm]  
 69/32" [109.5mm]  
 3-3/16" [81.3mm]  
 1/8" [3.2mm]  
 7/32" [10.9mm]  
 5/8" [16.3mm]  
 1 1/32" [10mm]  
 27-5/32" [690mm]  
 15-17/32" [394mm]  
 3-5/32" [80mm]  
 6-9/32" [161mm]  
 31.5 lbs [14.3 kg]

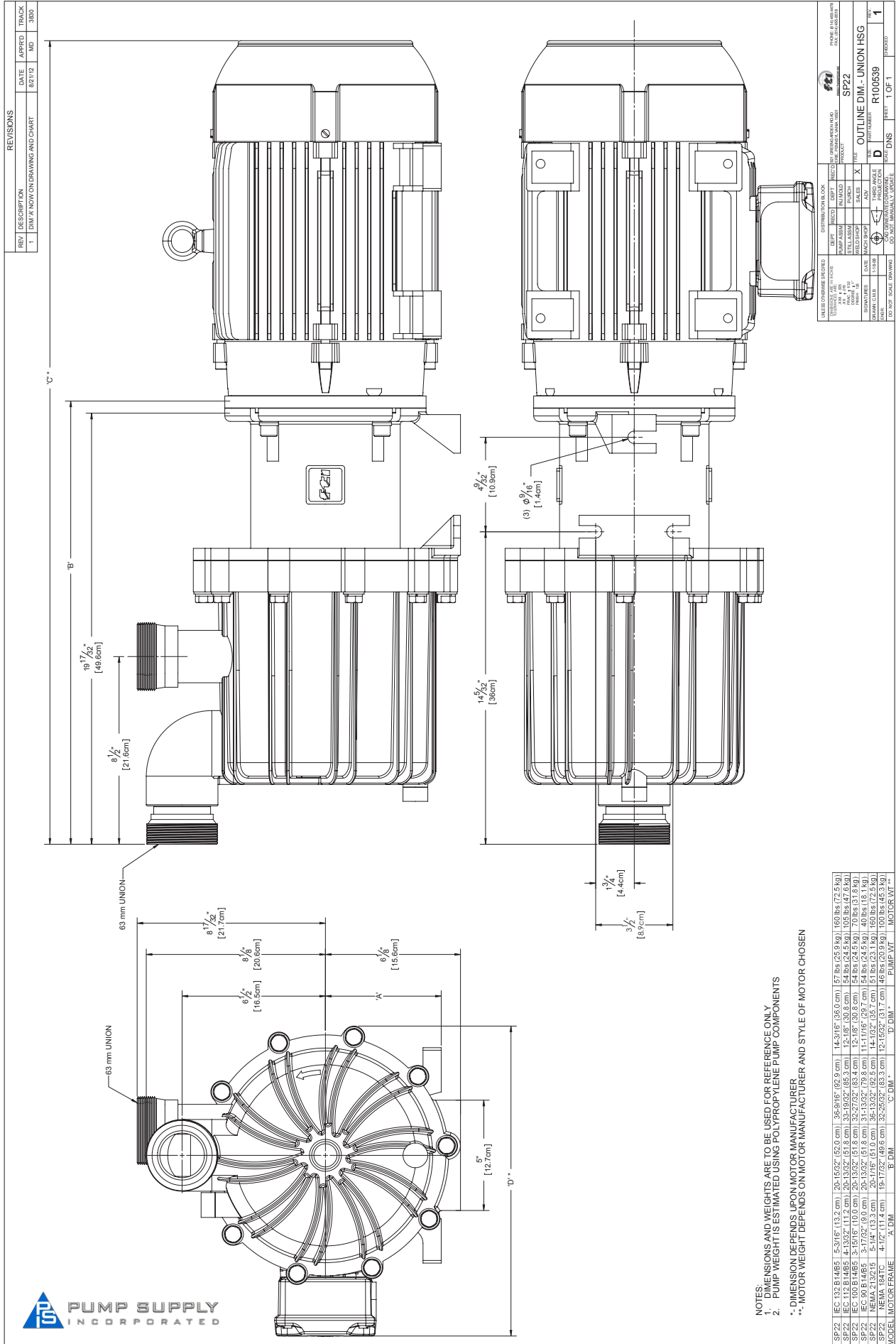


REV/	DESCRIPTION	DATE	APPROD	TRACK
1	ADDED DIMENSION BETWEEN SUCTION AND DISCHARGE CENTERS IN FRONT VIEW	8/19/11	MD	3880
2	DNM/F FOR 1/2" FRAME WAS 13.0 CM	8/21/12	MD	3880
3	ADDED 1/2" FRAME SIZE	2/9/16	TDS	



- NOTES:  
 1. DIMENSIONS AND WEIGHTS ARE TO BE USED FOR REFERENCE ONLY.  
 2. PUMP WEIGHT IS ESTIMATED USING POLYPROPYLENE PUMP COMPONENTS  
 \*. DIMENSION DEPENDS UPON MOTOR MANUFACTURER  
 \*\*. MOTOR WEIGHT DEPENDS ON MOTOR MANUFACTURER AND STYLE OF MOTOR CHOSEN

MODEL	INLET	DISCHARGE	WINDING	INSULATION	WEIGHT	WEIGHT	WEIGHT	WEIGHT	WEIGHT	WEIGHT	WEIGHT	WEIGHT
	INLET	DISCHARGE	WEIGHT	WEIGHT	WEIGHT	WEIGHT	WEIGHT	WEIGHT	WEIGHT	WEIGHT	WEIGHT	WEIGHT
SP22	1/2"	1/2"	11.3 cm	11.3 cm	18.3/16"	11.3 cm	18.3/16"	11.3 cm	31.7/16"	11.3 cm	31.7/16"	11.3 cm
SP22	1/2"	3/4"	13.3 cm	13.3 cm	18.3/16"	13.3 cm	18.3/16"	13.3 cm	31.7/16"	13.3 cm	31.7/16"	13.3 cm
SP22	1/2"	1"	15.3 cm	15.3 cm	18.3/16"	15.3 cm	18.3/16"	15.3 cm	31.7/16"	15.3 cm	31.7/16"	15.3 cm
SP22	1/2"	1 1/4"	17.3 cm	17.3 cm	18.3/16"	17.3 cm	18.3/16"	17.3 cm	31.7/16"	17.3 cm	31.7/16"	17.3 cm
SP22	1/2"	1 1/2"	19.3 cm	19.3 cm	18.3/16"	19.3 cm	18.3/16"	19.3 cm	31.7/16"	19.3 cm	31.7/16"	19.3 cm
SP22	1/2"	1 3/4"	21.3 cm	21.3 cm	18.3/16"	21.3 cm	18.3/16"	21.3 cm	31.7/16"	21.3 cm	31.7/16"	21.3 cm
SP22	1/2"	2"	23.3 cm	23.3 cm	18.3/16"	23.3 cm	18.3/16"	23.3 cm	31.7/16"	23.3 cm	31.7/16"	23.3 cm
SP22	1/2"	2 1/4"	25.3 cm	25.3 cm	18.3/16"	25.3 cm	18.3/16"	25.3 cm	31.7/16"	25.3 cm	31.7/16"	25.3 cm
SP22	1/2"	2 1/2"	27.3 cm	27.3 cm	18.3/16"	27.3 cm	18.3/16"	27.3 cm	31.7/16"	27.3 cm	31.7/16"	27.3 cm
SP22	1/2"	2 3/4"	29.3 cm	29.3 cm	18.3/16"	29.3 cm	18.3/16"	29.3 cm	31.7/16"	29.3 cm	31.7/16"	29.3 cm
SP22	1/2"	3"	31.3 cm	31.3 cm	18.3/16"	31.3 cm	18.3/16"	31.3 cm	31.7/16"	31.3 cm	31.7/16"	31.3 cm
SP22	1/2"	3 1/4"	33.3 cm	33.3 cm	18.3/16"	33.3 cm	18.3/16"	33.3 cm	31.7/16"	33.3 cm	31.7/16"	33.3 cm
SP22	1/2"	3 1/2"	35.3 cm	35.3 cm	18.3/16"	35.3 cm	18.3/16"	35.3 cm	31.7/16"	35.3 cm	31.7/16"	35.3 cm
SP22	1/2"	3 3/4"	37.3 cm	37.3 cm	18.3/16"	37.3 cm	18.3/16"	37.3 cm	31.7/16"	37.3 cm	31.7/16"	37.3 cm
SP22	1/2"	4"	39.3 cm	39.3 cm	18.3/16"	39.3 cm	18.3/16"	39.3 cm	31.7/16"	39.3 cm	31.7/16"	39.3 cm
SP22	1/2"	4 1/4"	41.3 cm	41.3 cm	18.3/16"	41.3 cm	18.3/16"	41.3 cm	31.7/16"	41.3 cm	31.7/16"	41.3 cm
SP22	1/2"	4 1/2"	43.3 cm	43.3 cm	18.3/16"	43.3 cm	18.3/16"	43.3 cm	31.7/16"	43.3 cm	31.7/16"	43.3 cm
SP22	1/2"	4 3/4"	45.3 cm	45.3 cm	18.3/16"	45.3 cm	18.3/16"	45.3 cm	31.7/16"	45.3 cm	31.7/16"	45.3 cm
SP22	1/2"	5"	47.3 cm	47.3 cm	18.3/16"	47.3 cm	18.3/16"	47.3 cm	31.7/16"	47.3 cm	31.7/16"	47.3 cm
SP22	1/2"	5 1/4"	49.3 cm	49.3 cm	18.3/16"	49.3 cm	18.3/16"	49.3 cm	31.7/16"	49.3 cm	31.7/16"	49.3 cm
SP22	1/2"	5 1/2"	51.3 cm	51.3 cm	18.3/16"	51.3 cm	18.3/16"	51.3 cm	31.7/16"	51.3 cm	31.7/16"	51.3 cm
SP22	1/2"	5 3/4"	53.3 cm	53.3 cm	18.3/16"	53.3 cm	18.3/16"	53.3 cm	31.7/16"	53.3 cm	31.7/16"	53.3 cm
SP22	1/2"	6"	55.3 cm	55.3 cm	18.3/16"	55.3 cm	18.3/16"	55.3 cm	31.7/16"	55.3 cm	31.7/16"	55.3 cm
SP22	1/2"	6 1/4"	57.3 cm	57.3 cm	18.3/16"	57.3 cm	18.3/16"	57.3 cm	31.7/16"	57.3 cm	31.7/16"	57.3 cm
SP22	1/2"	6 1/2"	59.3 cm	59.3 cm	18.3/16"	59.3 cm	18.3/16"	59.3 cm	31.7/16"	59.3 cm	31.7/16"	59.3 cm
SP22	1/2"	6 3/4"	61.3 cm	61.3 cm	18.3/16"	61.3 cm	18.3/16"	61.3 cm	31.7/16"	61.3 cm	31.7/16"	61.3 cm
SP22	1/2"	7"	63.3 cm	63.3 cm	18.3/16"	63.3 cm	18.3/16"	63.3 cm	31.7/16"	63.3 cm	31.7/16"	63.3 cm
SP22	1/2"	7 1/4"	65.3 cm	65.3 cm	18.3/16"	65.3 cm	18.3/16"	65.3 cm	31.7/16"	65.3 cm	31.7/16"	65.3 cm
SP22	1/2"	7 1/2"	67.3 cm	67.3 cm	18.3/16"	67.3 cm	18.3/16"	67.3 cm	31.7/16"	67.3 cm	31.7/16"	67.3 cm
SP22	1/2"	7 3/4"	69.3 cm	69.3 cm	18.3/16"	69.3 cm	18.3/16"	69.3 cm	31.7/16"	69.3 cm	31.7/16"	69.3 cm
SP22	1/2"	8"	71.3 cm	71.3 cm	18.3/16"	71.3 cm	18.3/16"	71.3 cm	31.7/16"	71.3 cm	31.7/16"	71.3 cm
SP22	1/2"	8 1/4"	73.3 cm	73.3 cm	18.3/16"	73.3 cm	18.3/16"	73.3 cm	31.7/16"	73.3 cm	31.7/16"	73.3 cm
SP22	1/2"	8 1/2"	75.3 cm	75.3 cm	18.3/16"	75.3 cm	18.3/16"	75.3 cm	31.7/16"	75.3 cm	31.7/16"	75.3 cm
SP22	1/2"	8 3/4"	77.3 cm	77.3 cm	18.3/16"	77.3 cm	18.3/16"	77.3 cm	31.7/16"	77.3 cm	31.7/16"	77.3 cm
SP22	1/2"	9"	79.3 cm	79.3 cm	18.3/16"	79.3 cm	18.3/16"	79.3 cm	31.7/16"	79.3 cm	31.7/16"	79.3 cm
SP22	1/2"	9 1/4"	81.3 cm	81.3 cm	18.3/16"	81.3 cm	18.3/16"	81.3 cm	31.7/16"	81.3 cm	31.7/16"	81.3 cm
SP22	1/2"	9 1/2"	83.3 cm	83.3 cm	18.3/16"	83.3 cm	18.3/16"	83.3 cm	31.7/16"	83.3 cm	31.7/16"	83.3 cm
SP22	1/2"	9 3/4"	85.3 cm	85.3 cm	18.3/16"	85.3 cm	18.3/16"	85.3 cm	31.7/16"	85.3 cm	31.7/16"	85.3 cm
SP22	1/2"	10"	87.3 cm	87.3 cm	18.3/16"	87.3 cm	18.3/16"	87.3 cm	31.7/16"	87.3 cm	31.7/16"	87.3 cm
SP22	1/2"	10 1/4"	89.3 cm	89.3 cm	18.3/16"	89.3 cm	18.3/16"	89.3 cm	31.7/16"	89.3 cm	31.7/16"	89.3 cm
SP22	1/2"	10 1/2"	91.3 cm	91.3 cm	18.3/16"	91.3 cm	18.3/16"	91.3 cm	31.7/16"	91.3 cm	31.7/16"	91.3 cm
SP22	1/2"	10 3/4"	93.3 cm	93.3 cm	18.3/16"	93.3 cm	18.3/16"	93.3 cm	31.7/16"	93.3 cm	31.7/16"	93.3 cm
SP22	1/2"	11"	95.3 cm	95.3 cm	18.3/16"	95.3 cm	18.3/16"	95.3 cm	31.7/16"	95.3 cm	31.7/16"	95.3 cm
SP22	1/2"	11 1/4"	97.3 cm	97.3 cm	18.3/16"	97.3 cm	18.3/16"	97.3 cm	31.7/16"	97.3 cm	31.7/16"	97.3 cm
SP22	1/2"	11 1/2"	99.3 cm	99.3 cm	18.3/16"	99.3 cm	18.3/16"	99.3 cm	31.7/16"	99.3 cm	31.7/16"	99.3 cm
SP22	1/2"	11 3/4"	101.3 cm	101.3 cm	18.3/16"	101.3 cm	18.3/16"	101.3 cm	31.7/16"	101.3 cm	31.7/16"	101.3 cm
SP22	1/2"	12"	103.3 cm	103.3 cm	18.3/16"	103.3 cm	18.3/16"	103.3 cm	31.7/16"	103.3 cm	31.7/16"	103.3 cm
SP22	1/2"	12 1/4"	105.3 cm	105.3 cm	18.3/16"	105.3 cm	18.3/16"	105.3 cm	31.7/16"	105.3 cm	31.7/16"	105.3 cm
SP22	1/2"	12 1/2"	107.3 cm	107.3 cm	18.3/16"	107.3 cm	18.3/16"	107.3 cm	31.7/16"	107.3 cm	31.7/16"	107.3 cm
SP22	1/2"	12 3/4"	109.3 cm	109.3 cm	18.3/16"	109.3 cm	18.3/16"	109.3 cm	31.7/16"	109.3 cm	31.7/16"	109.3 cm
SP22	1/2"	13"	111.3 cm	111.3 cm	18.3/16"	111.3 cm	18.3/16"	111.3 cm	31.7/16"	111.3 cm	31.7/16"	111.3 cm
SP22	1/2"	13 1/4"	113.3 cm	113.3 cm	18.3/16"	113.3 cm	18.3/16"	113.3 cm	31.7/16"	113.3 cm	31.7/16"	113.3 cm
SP22	1/2"	13 1/2"	115.3 cm	115.3 cm	18.3/16"	115.3 cm	18.3/16"	115.3 cm	31.7/16"	115.3 cm	31.7/16"	115.3 cm
SP22	1/2"	13 3/4"	117.3 cm	117.3 cm	18.3/16"	117.3 cm	18.3/16"	117.3 cm	31.7/16"	117.3 cm	31.7/16"	117.3 cm
SP22	1/2"	14"	119.3 cm	119.3 cm	18.3/16"	119.3 cm	18.3/16"	119.3 cm	31.7/16"	119.3 cm	31.7/16"	119.3 cm
SP22	1/2"	14 1/4"	121.3 cm	121.3 cm	18.3/16"	121.3 cm	18.3/16"	121.3 cm	31.7/16"	121.3 cm	31.7/16"	121.3 cm
SP22	1/2"	14 1/2"	123.3 cm	123.3 cm	18.3/16"	123.3 cm	18.3/16"	123.3 cm	31.7/16"	123.3 cm	31.7/16"	123.3 cm
SP22	1/2"	14 3/4"	125.3 cm	125.3 cm	18.3/16"	125.3 cm	18.3/16"	125.3 cm	31.7/16"	125.3 cm	31.7/16"	125.3 cm
SP22	1/2"	15"	127.3 cm	127.3 cm	18.3/16"	127.3 cm	18.3/16"	127.3 cm	31.7/16"	127.3 cm	31.7/16"	127.3 cm
SP22	1/2"	15 1/4"	129.3 cm	129.3 cm	18.3/16"	129.3 cm	18.3/16"	129.3 cm	31.7/16"	129.3 cm	31.7/16"	129.3 cm
SP22	1/2"	15 1/2"	131.3 cm	131.3 cm	18.3/16"	131.3 cm	18.3/16"	131.3 cm	31.7/16"	131.3 cm	31.7/16"	131.3 cm
SP22	1/2"	15 3/4"	133.3 cm	133.3 cm	18.3/16"	133.3 cm	18.3/16"	133.3 cm	31.7/16"	133.3 cm	31.7/16"	133.3 cm
SP22	1/2"	16"	135.3 cm	135.3 cm	18.3/16"	135.3 cm	18.3/16"	135.3 cm	31.7/16"	135.3 cm	31.7/16"	135.3 cm
SP22	1/2"	16 1/4"	137.3 cm	137.3 cm	18.3/16"	137.3 cm	18.3/16"	137.3 cm	31.7/16"	137.3 cm	31.7/16"	137.3 cm
SP22	1/2"	16 1/2"	139.3 cm	139.3 cm	18.3/16"	139.3 cm	18.3/16"	139.3 cm	31.7/16"	139.3 cm	31.7/16"	139.3 cm
SP22	1/2"	16 3/4"	141.3 cm	141.3 cm	18.3/16"	141.3 cm	18.3/16"	141.3 cm	31.7/16"	141.3 cm	31.7/16"	141.3 cm
SP22	1/2"	17"	143.3 cm	143.3 cm	18.3/16"	143.3 cm	18.3/16"	143.3 cm	31.7/16"	143.3 cm	31.7/16"	143.3 cm
SP22	1/2"	17 1/4"	145.3 cm	145.3 cm	18.3/16"	145.3 cm	18.3/16"	145.3 cm	31.7/16"	145.3 cm	31.7/16"	145.3 cm
SP22	1/2"	17 1/2"	147.3 cm	147.3 cm	18.3/16"	147.3 cm	18.3/16"	147.3 cm	31.7/16"	147.3 cm	31.7/16"	147.3 cm
SP22	1/2"	17 3/4"	149.3 cm	149.3 cm	18.3/16"	149.3 cm	18.3/16"	149.3 cm	31.7/16"	149.3 cm	31.7/16"	149.3 cm
SP22	1/2"	18"	151.3 cm	151.3 cm	18.3/16"	151.3 cm	18.3/16"	151.3 cm	31.7/16"	151.3 cm	31.7/16"	151.3 cm
SP22	1/2"	18 1/4"	153.3 cm	153.3 cm	18.3/16"	153.3 cm	18.3/16"	153.3 cm	31.7/16"	153.3 cm		





**REVISIONS**

REV	DESCRIPTION	DATE	APPRD	TRACK
1	DIM A FOR 1.52 FRAME WAS 3.0 CM	8/21/12	MD	3830
2	ADDED JIS NOTES	5/10/16	TDS	
3	TITLE HAD THREADED IN DESCRIPTION	7/13/16	TDS	

**FRONT VIEW:** Dimensions include 18.532" [48.7cm] total height, 8.18" [20.7cm] suction flange height, 9.12" [24.1cm] discharge flange height, 6.18" [15.6cm] motor height, 5" [12.7cm] base width, 6.12" [16.5cm] and 8.316" [20.9cm] base offsets, and 3.71" [9.4cm] motor offset.

**SIDE VIEW:** Dimensions include 13.2532" [33.6cm] total length, 4.932" [10.3cm] motor length, 1.34" [4.4cm] and 3.12" [8.9cm] motor offsets, and 1.34" [4.4cm] base offset.

**DETAILS:** Suction flange: 2" ANSI 150# ISO PN40 JIS 10kgf/cm<sup>2</sup>. Discharge flange: 2" ISO PN20 ISO PN40 JIS 10kgf/cm<sup>2</sup>. Flange detail: 2" ANSI 150# ISO PN40 JIS 10kgf/cm<sup>2</sup>. Motor frame: 3/4" TYP.

**PROPERTY SHEET**

**GENERAL:** MODEL: SP22, TITLE: OUTLINE DIM - FLANGED HSG, PART NUMBER: R100540, SHEET: 1 OF 1, CHECKED: [Signature]

**MANUFACTURING:** DATE: 5/10/16, DRAWN BY: [Signature], CHECKED BY: [Signature], DIMENSION: 3

**QUALITY CONTROL:** INSPECTED BY: [Signature], APPROVED BY: [Signature]

**REVISIONS:** 1: DIM A FOR 1.52 FRAME WAS 3.0 CM, 2: ADDED JIS NOTES, 3: TITLE HAD THREADED IN DESCRIPTION

**NOTES:**

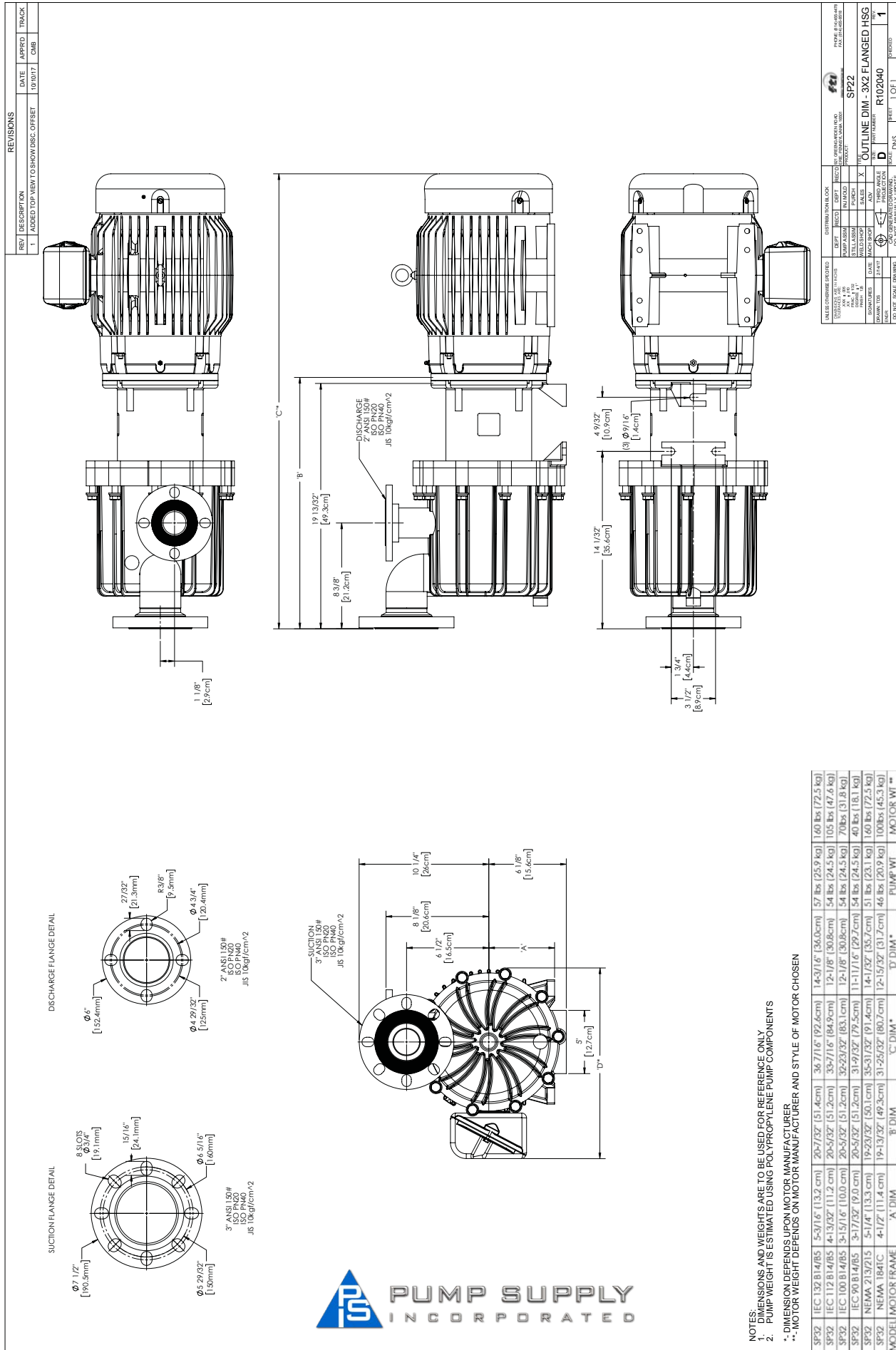
- DIMENSIONS AND WEIGHTS ARE TO BE USED FOR REFERENCE ONLY.
- PUMP WEIGHT IS ESTIMATED USING POLYPROPYLENE PUMP COMPONENTS
- DIMENSION DEPENDS UPON MOTOR MANUFACTURER
- MOTOR WEIGHT DEPENDS UPON MOTOR MANUFACTURER AND STYLE OF MOTOR CHOSEN

MODEL	MOTOR FRAME	A: DIM	B: DIM	C: DIM	D: DIM	PUMP WT	MOTOR WT
SP22	IEC 132 B14/B5	5-31/16" [13.2cm]	20-1/8" [51.1cm]	36-7/32" [92.0cm]	14-31/16" [34.0cm]	57 lbs [25.9 kg]	160 lbs [72.5 kg]
SP22	IEC 112 B14/B5	4-19/32" [11.2cm]	20-1/16" [51.0cm]	35-1/4" [89.4cm]	12-1/8" [30.8cm]	54 lbs [24.5 kg]	106 lbs [47.6 kg]
SP22	IEC 90 B14/B5	3-19/32" [9.0cm]	20-1/16" [51.0cm]	33-1/2" [84.4cm]	12-1/8" [30.8cm]	54 lbs [24.5 kg]	70 lbs [31.8 kg]
SP22	NEMA 131/215	5-1/4" [13.3cm]	19-23/32" [50.1cm]	36-1/16" [91.4cm]	11-1/16" [29.7cm]	54 lbs [24.5 kg]	40 lbs [18.1 kg]
SP22	NEMA 184/1C	4-1/2" [11.4cm]	19-5/32" [48.6cm]	35-7/16" [89.4cm]	14-1/32" [35.7cm]	51 lbs [23.1 kg]	160 lbs [72.5 kg]
SP22						46 lbs [20.9 kg]	100 lbs [45.3 kg]

IL - (847) 841-7867

PumpSupplyInc.com

MN - (651) 758-7867



NOTES:  
 1. DIMENSIONS AND WEIGHTS ARE TO BE USED FOR REFERENCE ONLY.  
 2. PUMP WEIGHT IS ESTIMATED USING POLYPROPYLENE PUMP COMPONENTS  
 \*. DIMENSION DEPENDS UPON MOTOR MANUFACTURER  
 \*\*. MOTOR WEIGHT DEPENDS ON MOTOR MANUFACTURER AND STYLE OF MOTOR CHOSEN



UNLESS OTHERWISE SPECIFIED	FINISH	STAINLESS	WELDED	SALES	THIRD ANGLE	PROJECTION	SCALE	DATE	BY	CHKD	APP'D	TRK
CAST IRON	AS BUILT	304	AS BUILT	SALES	THIRD ANGLE	FIRST ANGLE	AS SHOWN	10/01/17	DMB			
OUTLINE DIM - 3X2 FLANGED HSG												
R102040												