



SERIES 300

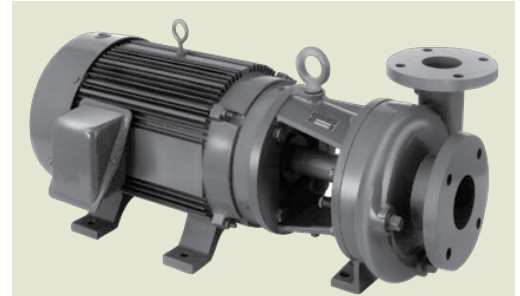
3" x 2-1/2" End Suction Centrifugal Pump

SERIES 300 centrifugal pumps are close-coupled to standard NEMA JP motors. All models are available in cast iron with stainless steel fasteners,

Enclosed impellers are dynamically balanced to improve efficiency and bearing life.

Standard carbon / ceramic / Viton mechanical seal is self-adjusting and corrosion resistant to handle almost any liquid.

Completely tested "Wet End" PumPAKs are available without motors. The MP PumPAK® can be mounted to standard NEMA frame motors in just minutes.



Application

- Agricultural
- Commercial
- Industrial
- OEM

SPECIFICATIONS:

Suction And Discharge	3" x 2-1/2" 150# ANSI Flanges
Materials Of Construction	Cast iron
Flow	Up to 520 GPM
Head Feet	Up to 190'
Impeller	7" enclosed cast iron
Motor	Up to 20HP
Drive Options	Close coupled 215JP, Close coupled 256JP, Hydraulic motor 1.16 cu. in., Hydraulic motor 1.58 cu. in.
Seal	Special seal material combinations available (consult factory), Standard carbon / ceramic / Viton
Max Solid Size	.47"

Illinois Location:

(847) 841-7867

860 Church Rd Elgin, IL 60123

Minnesota Location:

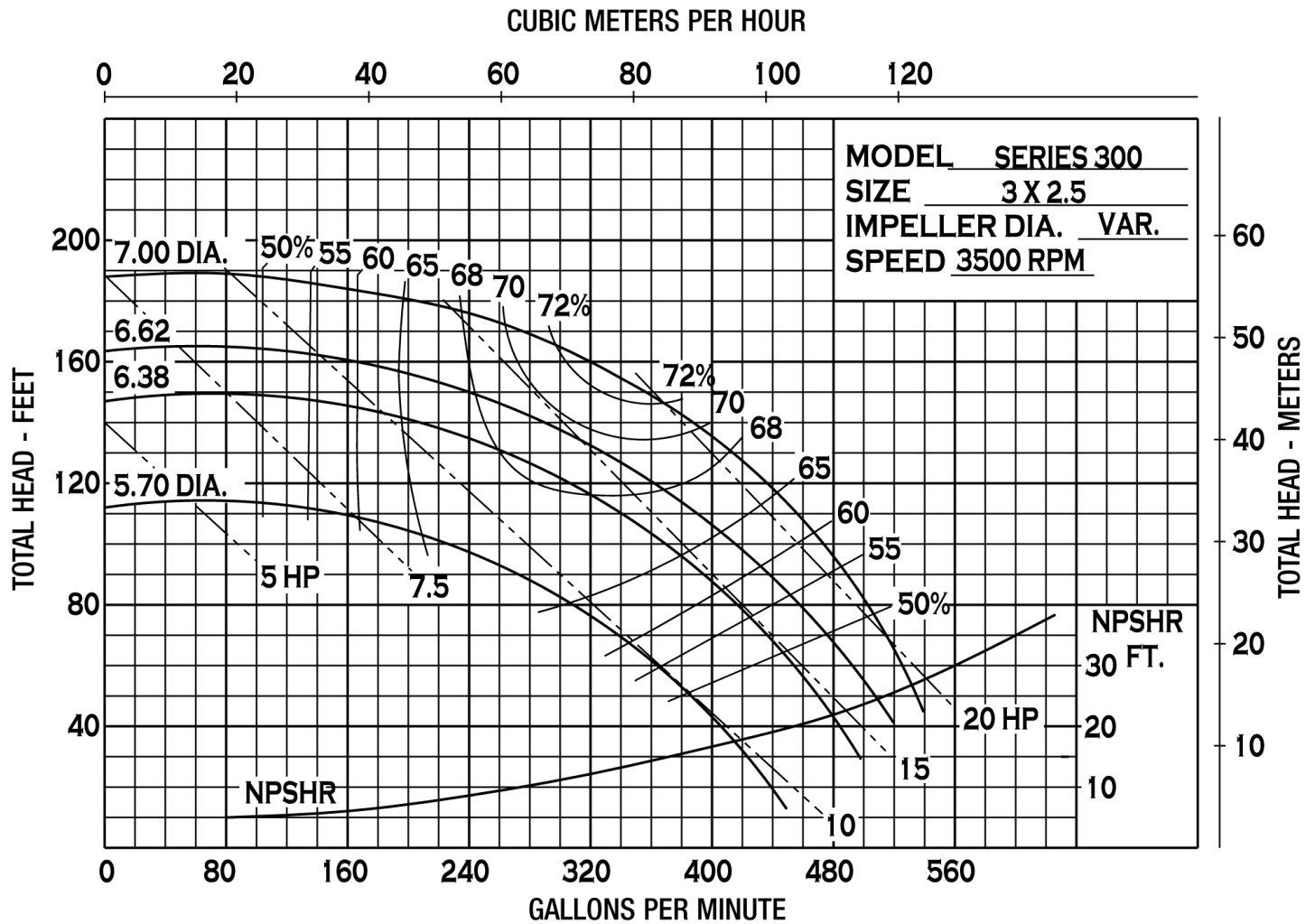
(651) 758-7867

330 Mill Bay South Suite 1511 Afton, MN 55001

PumpSupplyInc.com



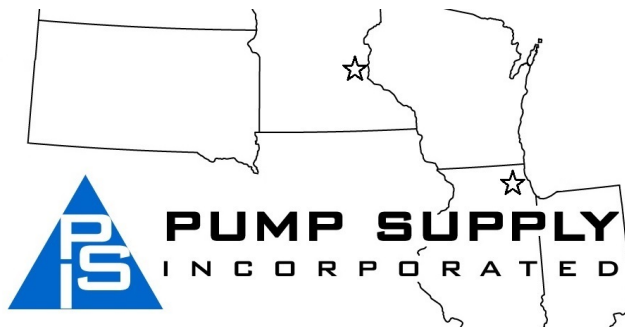
PUMP SUPPLY
INCORPORATED

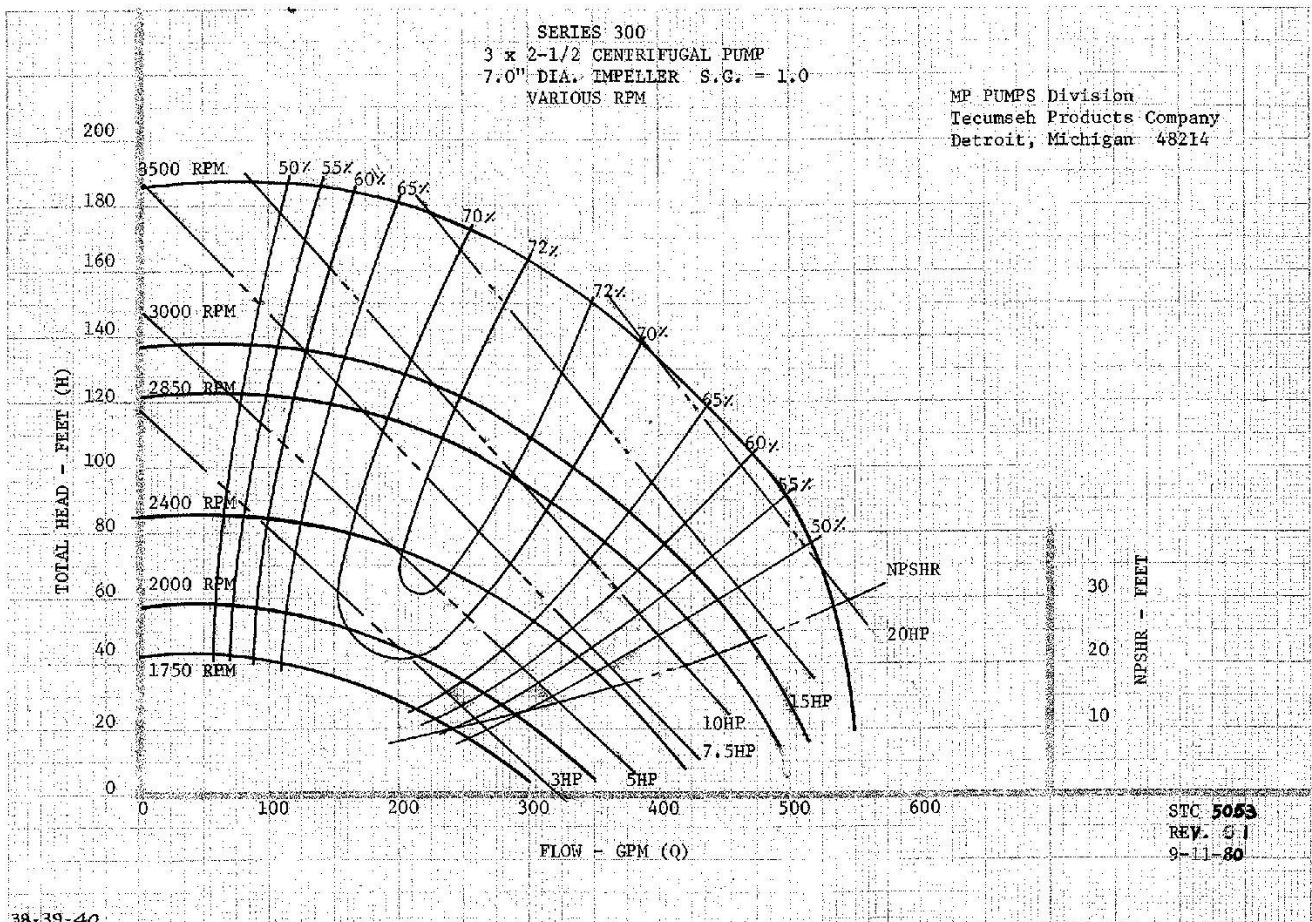


Illinois Location:
 (847) 841-7867
 860 Church Rd Elgin, IL 60123

Minnesota Location:
 (651) 758-7867
 330 Mill Bay South Suite 1511
 Afton, MN 55001

PumpSupplyInc.com





38-39-40

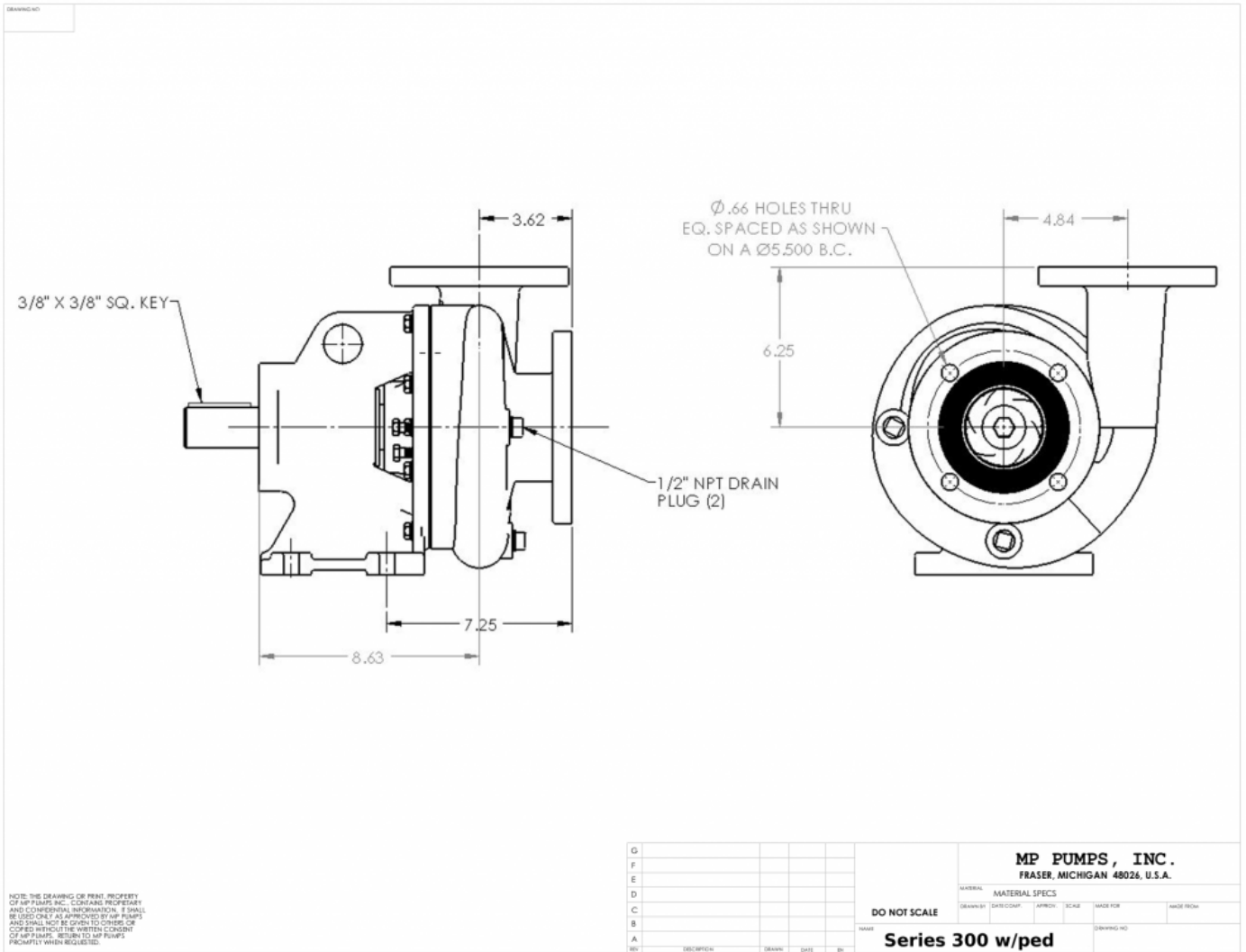
SERIES 300

Illinois Location:
 (847) 841-7867
 860 Church Rd Elgin, IL 60123

Minnesota Location:
 (651) 758-7867
 330 Mill Bay South Suite 1511
 Afton, MN 55001

PumpSupplyInc.com

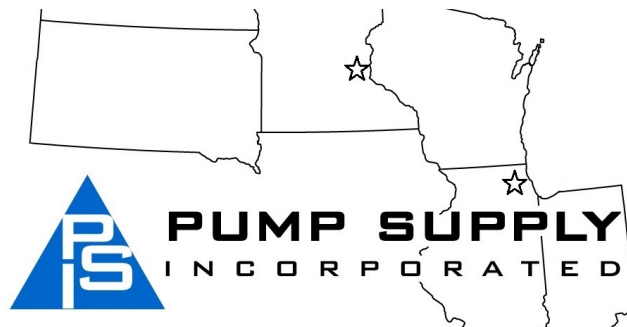




Illinois Location:
(847) 841-7867
860 Church Rd Elgin, IL 60123

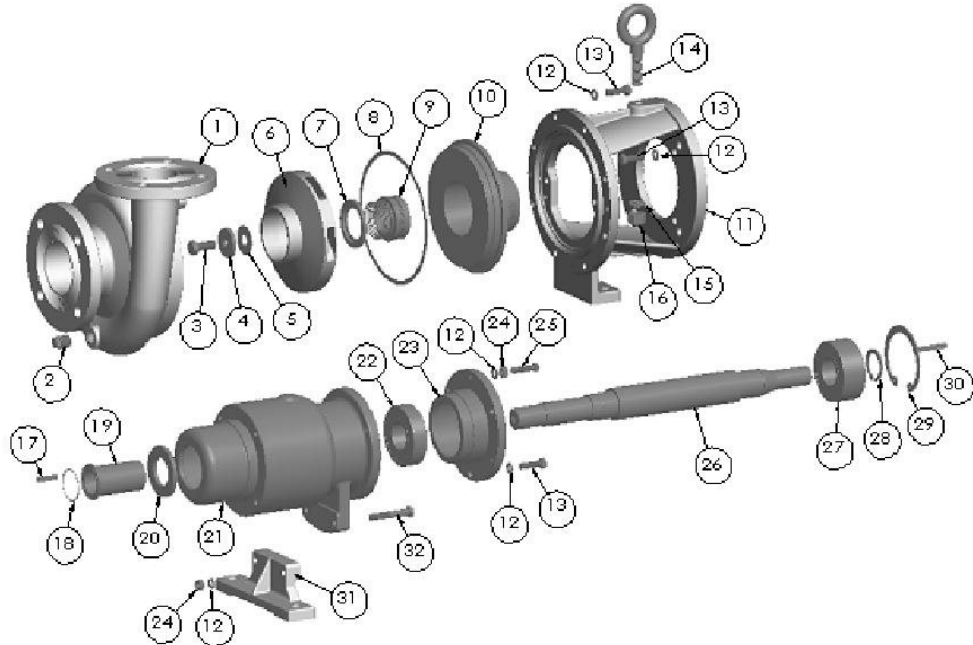
Minnesota Location:
(651) 758-7867
330 Mill Bay South Suite 1511
Afton, MN 55001

PumpSupplyInc.com



MP PUMPS SERVICE PARTS LIST

- | | |
|--|---|
| <ul style="list-style-type: none"> • Pedestal Mount Centrifugal • Belt or Direct Drive | <ul style="list-style-type: none"> • Sealed Ball Bearings • Mechanical Seal |
| <p>SERIES 300
3" X 2-1/2" Pipe Size</p> | |



ITEM NO.	PART NO.	DESCRIPTION	QTY.
1	26733	HOUSING- DUCTILE IRON	1
2	22656	PIPE PLUG- S.S.- 1/2" NPT	2
3	26674	SEALBOLT S.S.- 1/2-13 X 1.25	1
4	26675	WASHER S.S.	1
5	27403	GASKET- TEFLON	1
6	26788	IMPELLER- DUCTILE IRON 7"	1
7	26912	SPRING RETAINER S.S.	1
8	26744	GASKET	1
9	26685	MECH. SEAL ASY- 1.75" VITON	1
10	26731	MECH. SEAL ADAPTOR- C.I.	1
11	26739	ADAPTOR- CAST IRON	1
12	21266	LOCKWASHER S.S.- 3/8	17
13	21274	CAPSCREW S.S.- 3/8-16 X 1.25	19
14	26686	EYE BOLT STL.- 5/8-11 X 2.12	1
15	26256	LOCKWASHER STL.- 5/8	1
16	22461	HEXNUT STL.- 5/8-11	1

ITEM NO.	PART NO.	DESCRIPTION	QTY.
17	25299	SQ. KEY- 1/4 X 1/4 X 1.25	1
18	33472	O-RING- VITON	1
19	33059	SLEEVE S.S.	1
20	26680	SLINGER- NEOPRENE	1
21	33056	BODY- C.I.	1
22	33053	BALL BEARING	1
23	33051	BEARING RETAINER- C.I.	1
24	21266	HEXNUT S.S.- 3/8-16	5
25	43326	DOG POINT SET SCREW- 3/8-16	3
26	33052	SHAFT	1
27	33054	BALL BEARING	1
28	33057	EXT. SNAP RING	1
29	33058	INT. SNAP RING	1
30	26796	SQ. KEY- 1/4 X 1/4 X 2.12	1
31	26741	BRACKET- C.I.	1
32	21275	CAPSCREW S.S.- 3/8-16 X 2.5	2

* RECOMMENDED REPLACEMENT PARTS
(NOTE: CALL FACTORY FOR MECHANICAL SEAL AND IMPELLER OPTIONS)

MP PUMPS, INC.
 TECUMSEH PRODUCTS COMPANY
 2400 HENRIE DRIVE • PLAZA 10 • ELGIN, IL 60120-1000
 (815) 293-8240 • FAX (815) 293-8483
 (800) 563-8006
www.mppumps.com

FORM 7071-B (10/04)

Illinois Location:
(847) 841-7867
860 Church Rd Elgin, IL 60123

Minnesota Location:
(651) 758-7867
330 Mill Bay South Suite 1511
Afton, MN 55001

PumpSupplyInc.com



PumpSupplyInc.com

SERIES 300

MN - (651) 758-7867

