



# SERIES 30

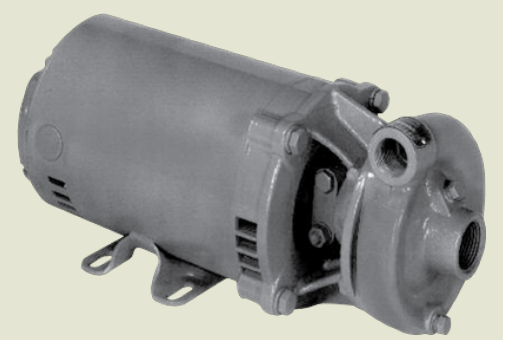
## 1" x 3/4" End Suction Centrifugal Pump

SERIES 30 end suction centrifugal pumps are close-coupled to standard NEMA "C" face motors. All models are available in cast iron, bronze or aluminum construction to suit a wide variety of liquids.

All fasteners are stainless steel to reduce corrosion. Impellers are dynamically balanced to improve efficiency and bearing life.

Standard carbon / ceramic / Viton mechanical seal is self-adjusting and corrosion resistant to handle almost any liquid.

Completely tested "Wet End" PumPAKs are available without motors. The MP PumPAK® can be mounted to standard NEMA C frame motors in just minutes.



### Application

- Agricultural
- Commercial
- Industrial
- OEM

## SPECIFICATIONS:

Suction And Discharge	1" x 3/4" NPT
Materials Of Construction	Bronze, Cast iron
Flow	Up to 45 GPM
Head Feet	Up to 40'
Impeller	3.25" semi-open cast iron, bronze
Motor	Up to 3/4 HP
Drive Options	Close coupled 56C, Hydraulic motor .37 cu. in., Hydraulic motor .45 cu. in., PumPAK® (without motor)
Seal	Special seal material combinations available (consult factory), Standard carbon / ceramic / Viton
Max Solid Size	.27"

#### Illinois Location:

(847) 841-7867

860 Church Rd Elgin, IL 60120

#### Minnesota Location:

(651) 758-7867

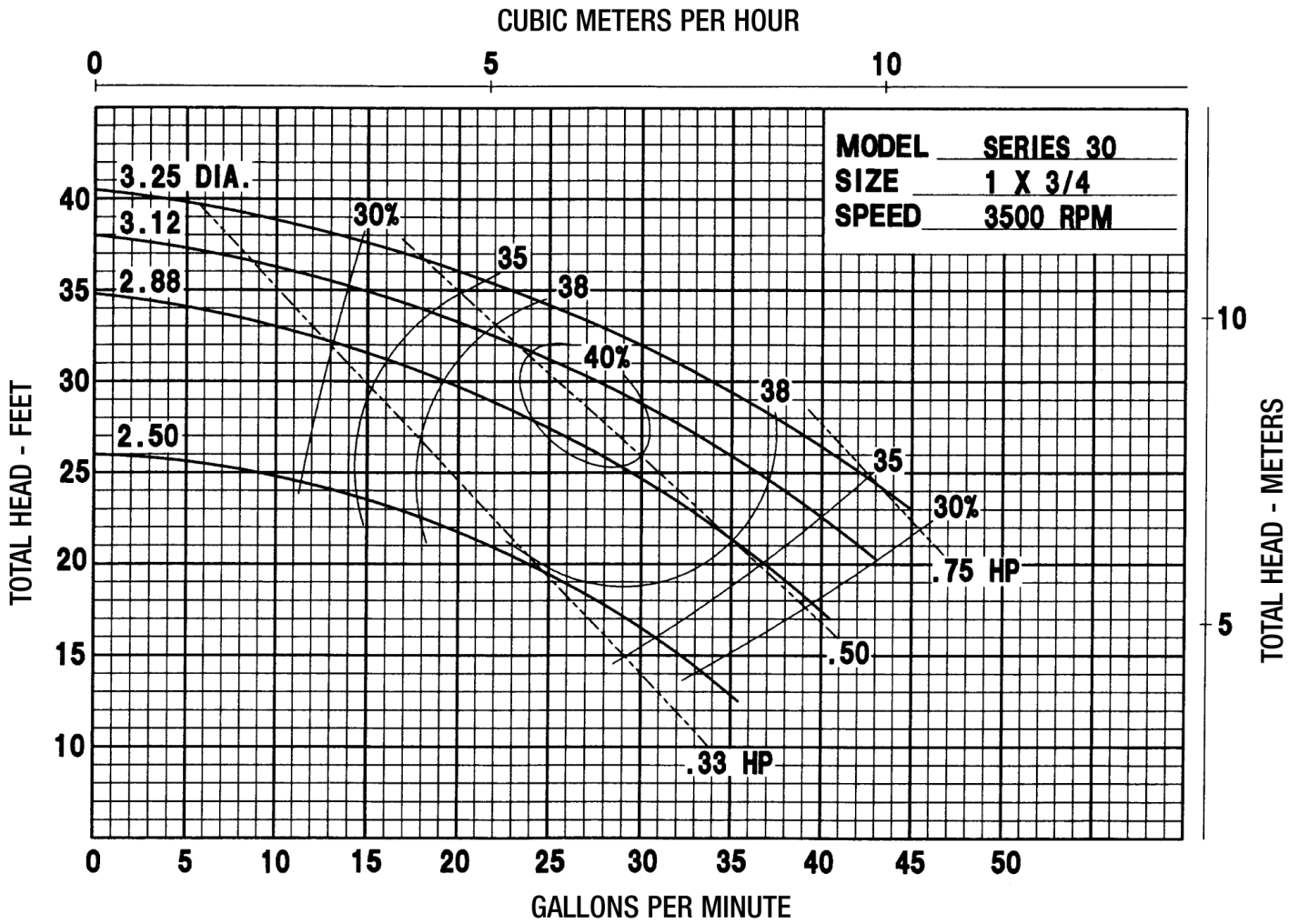
330 Mill Bay South Suite  
Afton, MN 55001

PumpSupplyInc.com



**PUMP SUPPLY**  
INCORPORATED





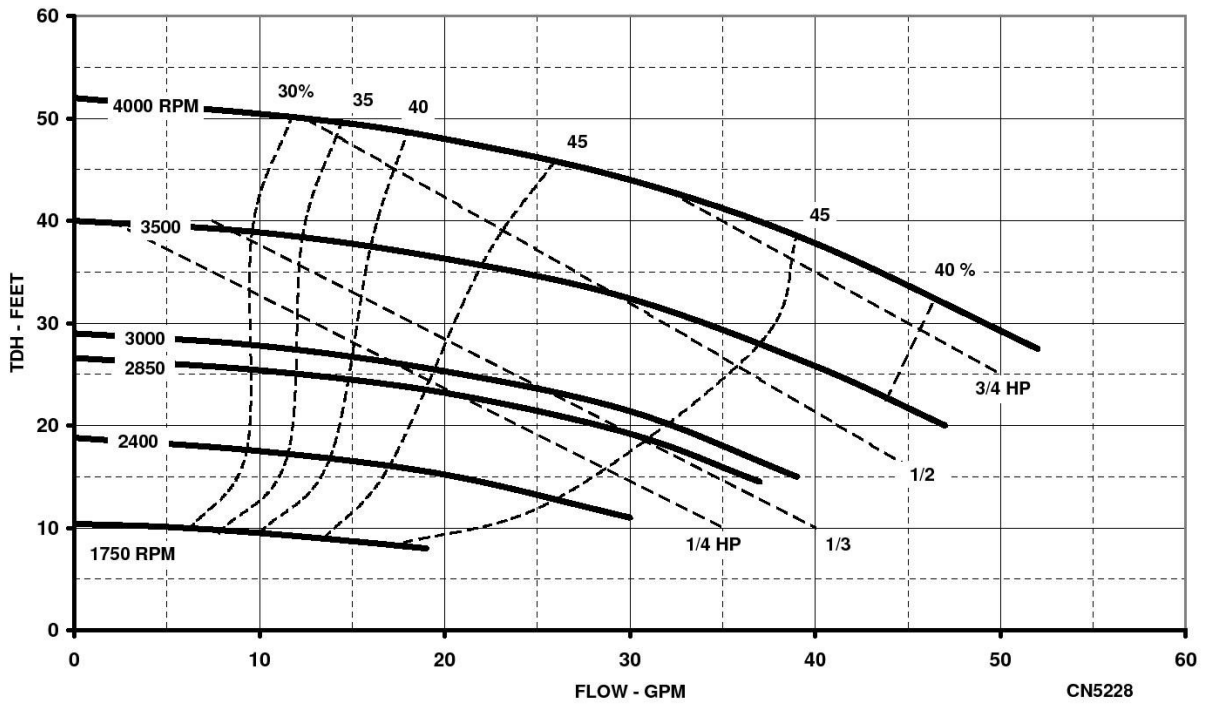
**Illinois Location:**  
 (847) 841-7867  
 860 Church Rd Elgin, IL 60120

**Minnesota Location:**  
 (651) 758-7867  
 330 Mill Bay South Suite  
 Afton, MN 55001

PumpSupplyInc.com

**PUMP SUPPLY**  
INCORPORATED



SERIES 30  
3.25 Impeller



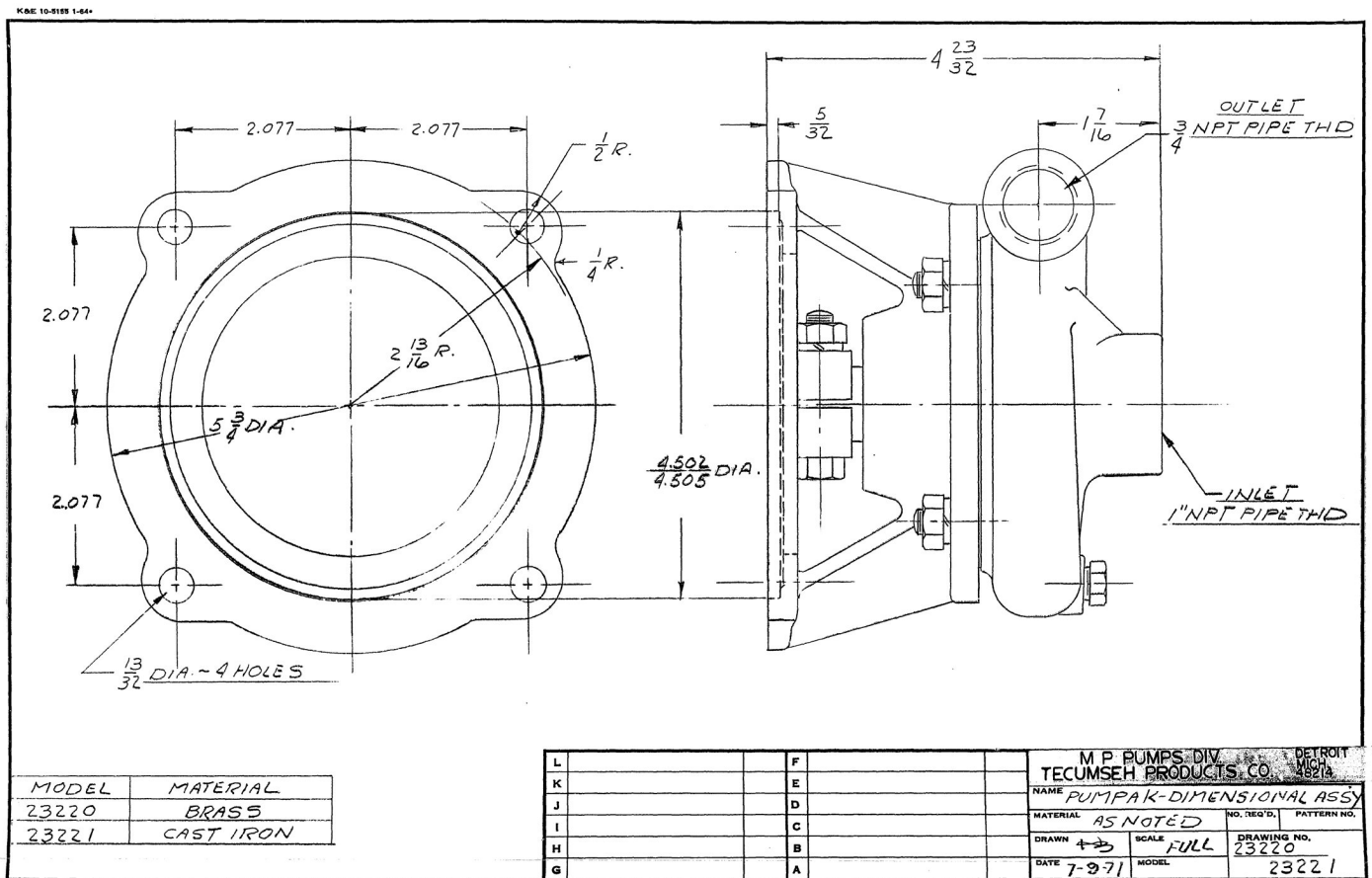
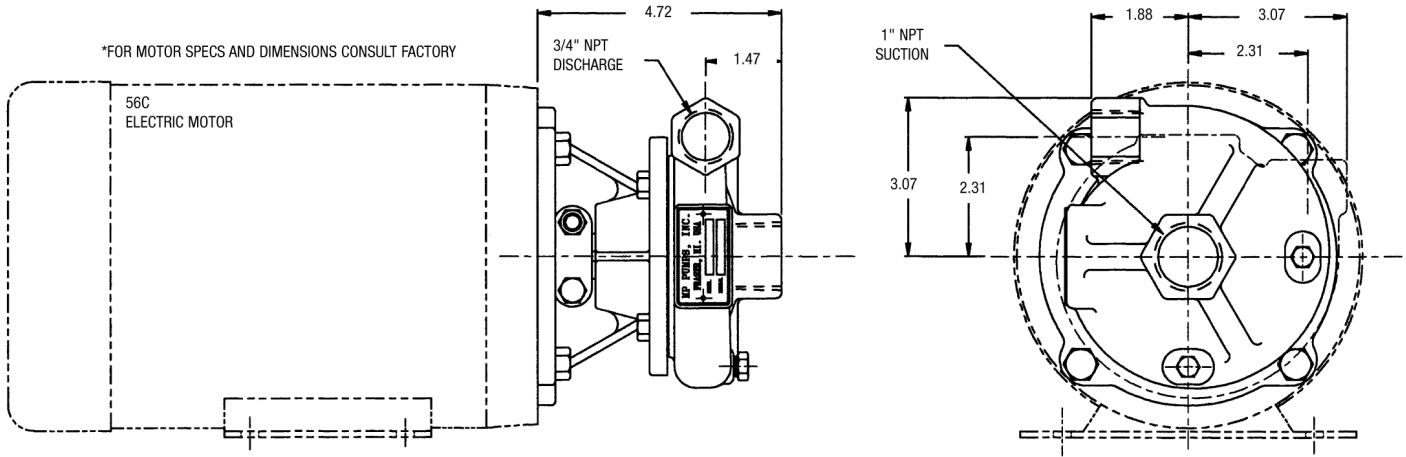
**Illinois Location:**  
 (847) 841-7867  
 860 Church Rd Elgin, IL 60120

**Minnesota Location:**  
 (651) 758-7867  
 330 Mill Bay South Suite  
 Afton, MN 55001

PumpSupplyInc.com

**PUMP SUPPLY**  
INCORPORATED



**Illinois Location:**  
(847) 841-7867  
860 Church Rd Elgin, IL 60120

**Minnesota Location:**  
(651) 758-7867  
330 Mill Bay South Suite:  
Afton, MN 55001

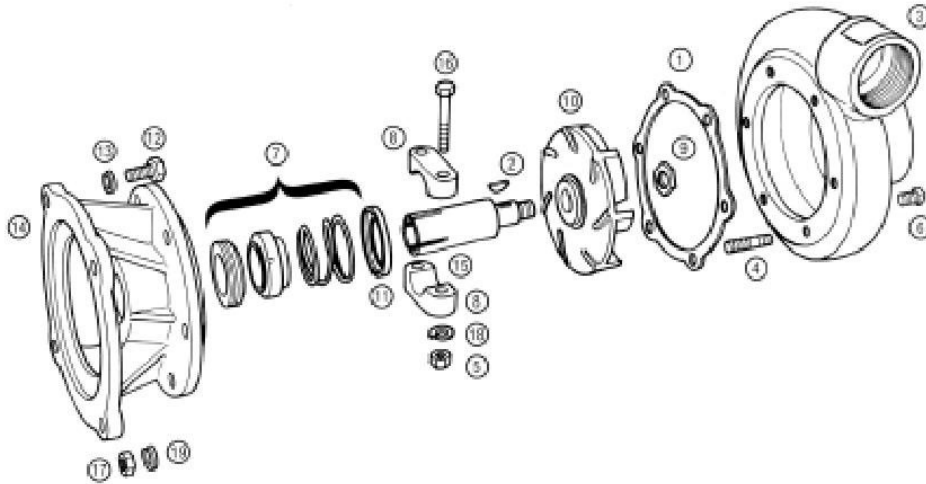
PumpSupplyInc.com

**PUMP SUPPLY**  
INCORPORATED



**MP PUMPS SERVICE PARTS LIST**

- |  |   |  |
|--|---|--|
| <ul style="list-style-type: none"> <li>• Straight Centrifugal</li> <li>• Electric Motor Drive</li> </ul> | <ul style="list-style-type: none"> <li>• Pumpak</li> <li>• Mechanical Seal</li> </ul> | <p><b>Series 30</b><br/><b>1" x 3/4" Pipe Size</b></p> |
|--|---|--|



**IMPORTANT:** When ordering parts, specify model and serial number shown on nameplate.  
N/S means "not shown" in exploded view of parts.

ITEM NO.	PART NO.	DESCRIPTION	QUANTITY REQUIRED PER MODEL			
			ROTATION	ALL MODELS LISTED ARE RIGHT HAND		
			PIPE SIZE	ALL MODELS LISTED ARE 1" x 3/4"		
			METAL	CAST IRON	ALUMINUM	BRONZE
			MODEL NO.	23221	NA	23220
				23222	NA	23938
				24319	NA	24318
				22678	NA	24188

**HOUSING**

	22915	Housing Assembly - Inc:	1			
3		Housing - Cast Iron	1			
4	28059	Stud - S.S. - 5/16"	4			
6	21255	Pipe Plug - S.S. - 1/8" NPT	2			
	<b>NA</b>	Housing Assembly - Inc:			1	
3		Housing - Aluminum			1	
4	28059	Stud - S.S. - 5/16"			4	
6	21255	Pipe Plug - S.S. - 1/8" NPT			1	
	22914	Housing Assembly - Inc:				1
3		Housing - Bronze				1
4	21150	Stud - Br. - 5/16"				4
6	21185	Pipe Plug - Bronze - 1/8" NPT				1



**MP PUMPS, INC.**  
TECUMSEH PRODUCTS COMPANY  
34900 BENNETT DRIVE • FRASER, MI 48026-1696  
(586) 293-8240 • FAX (586) 293-8459  
(800) 563-8008

**FORM 7020-E**

PRINTED IN U.S.A. (8-97)

**Illinois Location:**

(847) 841-7867  
860 Church Rd Elgin, IL 61

**Minnesota Location:**

(651) 758-7867  
330 Mill Bay South Suite  
Afton, MN 55001

PumpSupplyInc.com



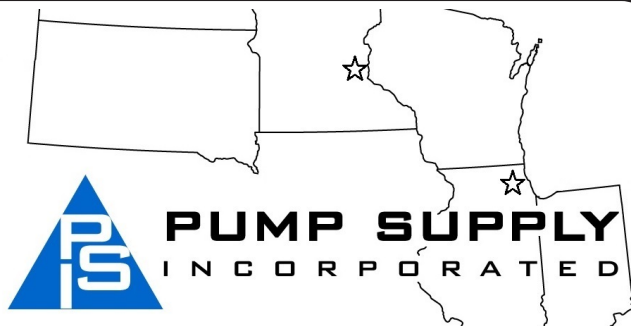
ITEM NO.	PART NO.	DESCRIPTION	QUANTITY REQUIRED PER MODEL			
			ROTATION	ALL MODELS LISTED ARE RIGHT HAND		
			PIPE SIZE	ALL MODELS LISTED ARE 1" x 3/4"		
			METAL	CAST IRON	ALUMINIUM	BRONZE
MODEL NO.	23221	NA	23220			
	23222	NA	23938			
	24319	NA	24318			
	22678	NA	24186			
<b>HOUSING</b>						
17	21244	Hex Nut - S.S. - 5/16"	4	4		
19	21238	Lockwasher - S.S. - 5/16"	4	4		
17	21179	Hex Nut - Br. - 5/16"			4	
19	21184	Washer - Br. 5/8"			4	
1	21126	Gasket	4	4	4	
<b>IMPELLER</b>						
10	22573	Impeller C.I. - 3-1/4" dia. for Model 23221	1			
10	NA	Impeller - Alum. - 3-1/4" dia. for Model 23219		1		
10	22572	Impeller - Br. - 3-1/4" dia. for Model 23220			1	
10	22138	Impeller - C.I. - 2-7/8" dia. for Model 23222	1			
10	NA	Impeller - Alum. - 2-7/8" dia. for Model 24316		1		
10	22137	Impeller - Br. - 2-7/8" dia. for Model 23938			1	
10	22149	Impeller - C.I. - 3-1/8" dia. for Model 24319	1			
10	NA	Impeller - Alum. - 3-1/8" dia. for Model 24317		1		
10	22148	Impeller - Br. - 3-1/8" dia. for Model 24318			1	
10	22143	Impeller - C.I. - 2-1/2" dia. for Model 22678	1			
10	NA	Impeller - Alum. - 2-1/2" dia. for Model 24320		1		
10	22142	Impeller - Br. 2-1/2" dia. for Model 24186			1	
15	22131	Impeller Drive Sleeve 5/8"	1	1	1	
9	22588	Lock Nut - S.S. - 3/8"	1	1	1	
2	21865	Impeller Drive Key	1	1	1	
<b>Clamp</b>						
	23002	Clamp Assembly Inc.				
8		Clamp	2	2	2	
5	21284	Hex Nut - S.S. - 5/16"	2	2	2	
18	21238	Lockwasher - S.S. - 5/16"	2	2	2	
16	21264	Capscrew - S.S. - 5/16"	2	2	2	
<b>SEAL</b>						
7	22272	Seal Assembly	1	1	1	
11	22133	Seal Spring Retainer	1	1	1	
<b>ADAPTOR</b>						
14	22130	Adaptor - Cast Iron	1			
14	NA	Adaptor - Aluminum		1		
14	22129	Adaptor - Bronze			1	
12	21251	Capscrew - S.S. - 3/8"	4	4	4	
13	21266	Lockwasher - S.S. - 3/8"	4	4	4	

	<b>MP PUMPS, INC.</b> TECUMSEH PRODUCTS COMPANY 34800 BENNETT DRIVE • FRASER, MI 48026-1686 (586) 293-8240 • FAX (586) 293-8468 (800) 563-8006	<b>FORM 7020-E</b> PRINTED IN U.S.A. (8-97)
---	--	--

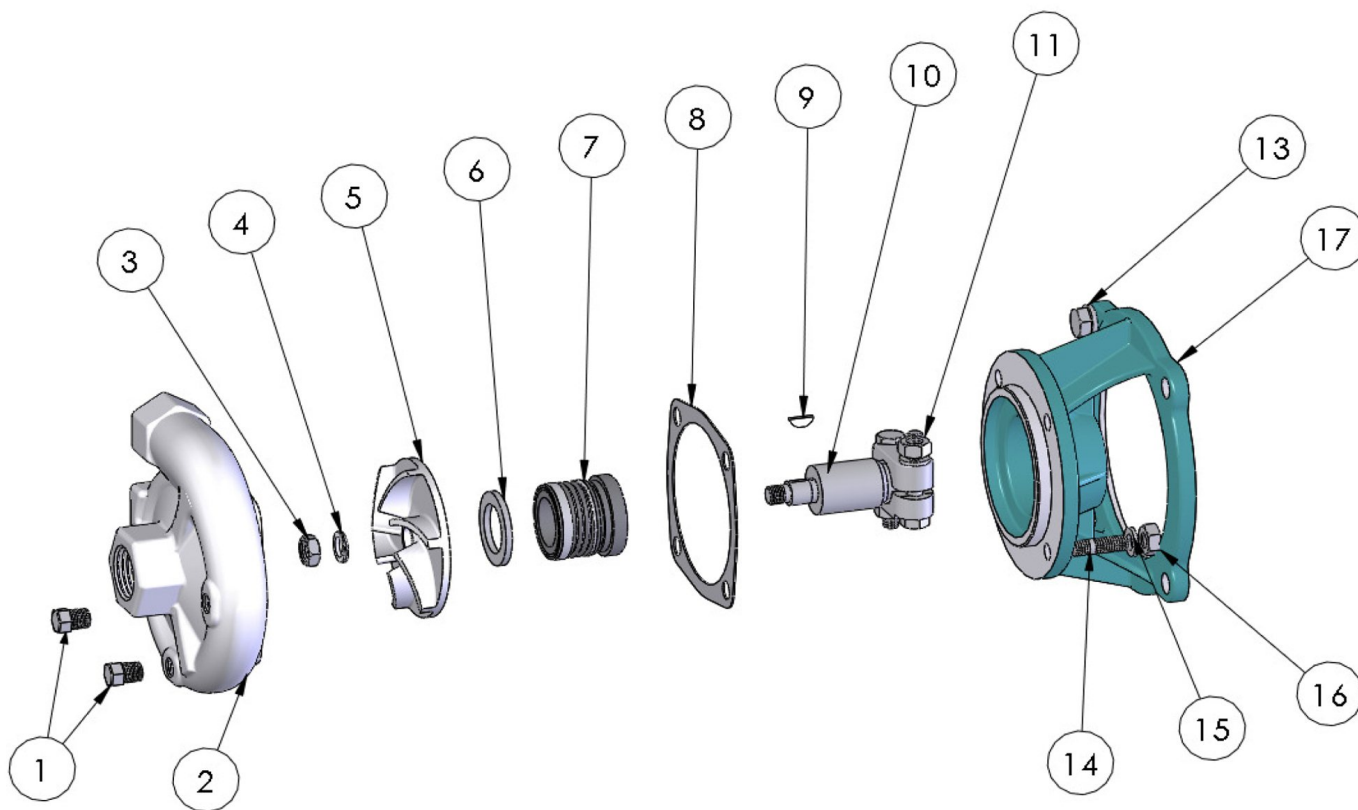
**Illinois Location:**  
 (847) 841-7867  
 860 Church Rd Elgin, IL 60120

**Minnesota Location:**  
 (651) 758-7867  
 330 Mill Bay South Suite 100  
 Afton, MN 55001

PumpSupplyInc.com



**23221**



ITEM NO.	PART NO.	DESCRIPTION	QTY.	
1	21185	PIPE PLUG B - 1/8" NPT	2	
2	21107	HOUSING D - 1" X 3/4"	1	
3	22588	LOCK NUT S.S. - 3/8"-24	1	
4	31224	LOCK WASHER S.S. - SELF LOCKING	1	
5	22573	IMPELLER C - Ø3.25	1	
6	31103	WASHER S.S.	1	
*	7	22272	SEAL ASSEMBLY T-2100 - VITON	1
*	8	21126	GASKET - NI-2085	1
9	21865	KEY S.S. - WOODRUFF #2	1	
10	22131	DRIVE SLEEVE	1	
11	23002	CLAMP ASSY. S.S. - 5/8 & 3/4	1	
12	21251	HEX HD SCREW S.S.- 5/16"-18 X .88"	4	
13	21266	LOCKWASHER S.S. - 3/8"	4	
14	28059	STUD S.S. - 5/16 118 X 1.19"	4	
15	22163	LOCK WASHER S.S. - 5/16 X 1/8	6	
16	21284	HEX NUT- 5/16"-18	6	
17	22130	ADAPTOR- CAST IRON	1	

**Illinois Location:**

(847) 841-7867  
 \*- RECOMMENDED REPLACEMENT PARTS  
 860 Church Rd Elgin, IL 60123

**Minnesota Location:**

(651) 758-7867  
 330 Mill Bay South Suite 1511  
 Afton, MN 55001

