



SERIES 120 HYDRAULIC

2" x 1-1/2" End Suction Centrifugal Pump

SERIES 120 Hydraulic end suction centrifugal pumps are offered with .45, .58, or .73 cubic inch displacement gerotor motors for hydraulic flows up to 15 GPM and a maximum pressure of 2500 PSI.

SERIES 120 end suction centrifugal pumps are available in cast iron or bronze construction to suit a wide variety of liquids.

All fasteners are stainless steel to reduce corrosion. Impellers are dynamically balanced to improve efficiency and bearing life.

Standard carbon / ceramic / Viton mechanical seal is self-adjusting and corrosion resistant to handle almost any liquid.

Application

- Agricultural
- Industrial
- Marine
- OEM

SPECIFICATIONS:

Suction And Discharge	2" x 1-1/2" NPT
Materials Of Construction	Bronze, Cast iron
Flow	Up to 200 GPM
Head Feet	Up to 290'
Impeller	6" enclosed cast iron or bronze
Drive Options	Hydraulic motor .45 cu. in., Hydraulic motor .58 cu. in., Hydraulic motor .73 cu. in.
Seal	Standard carbon / ceramic / Viton
Psi	Up to 125
Hydraulic Fluid Flow	Up to 15 GPM
Max Solid Size	.24"
Hydraulic Motor	Gerotor
Options	Hydraulic motors with flow controls
Hydraulic System Pressure	Up to 2500 PSI



Illinois Location:

(847) 841-7867

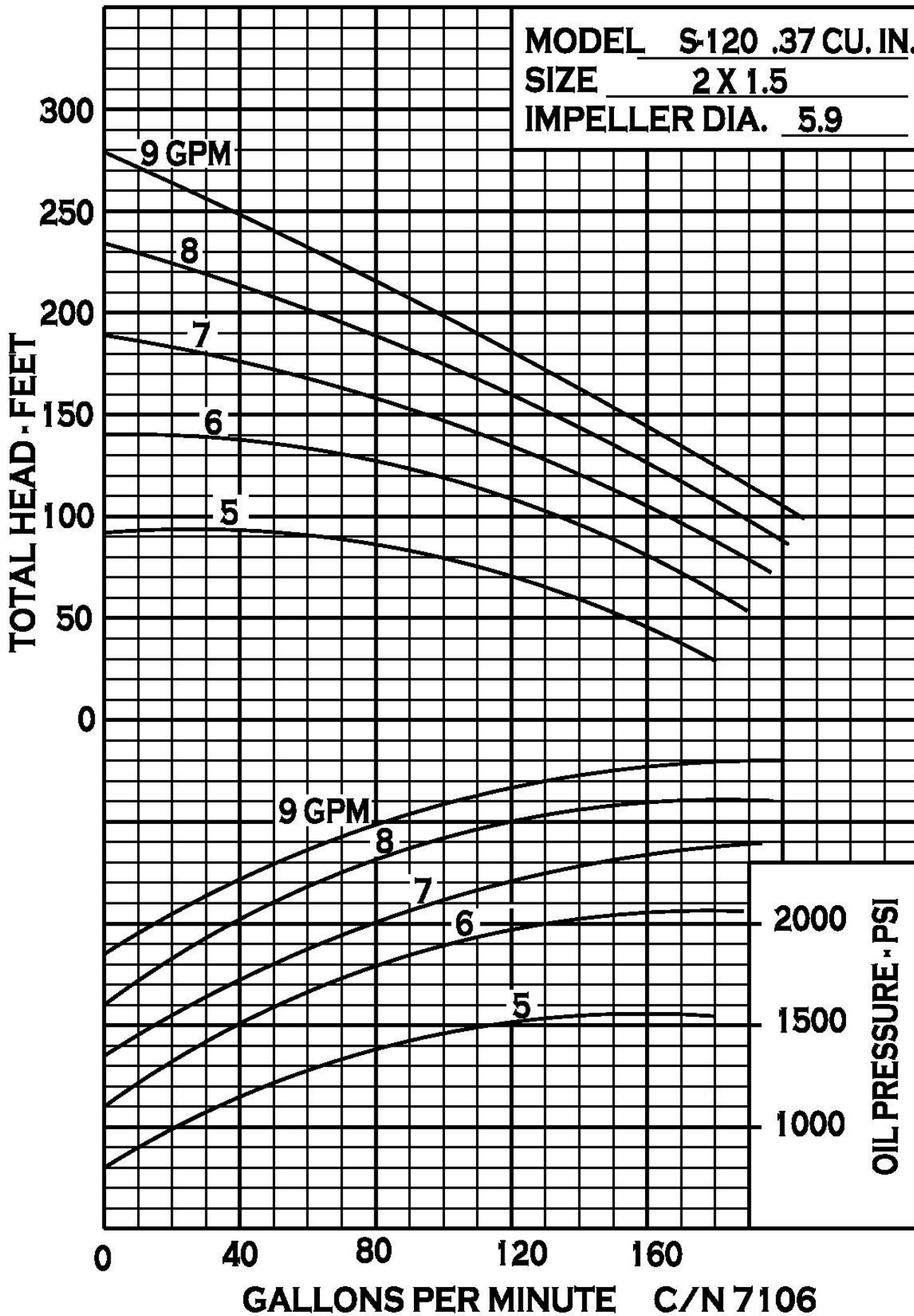
860 Church Rd Elgin, IL 60123

Minnesota Location:

(651) 758-7867

330 Mill Bay South Suite 1511 Afton, MN 55001

PumpSupplyInc.com

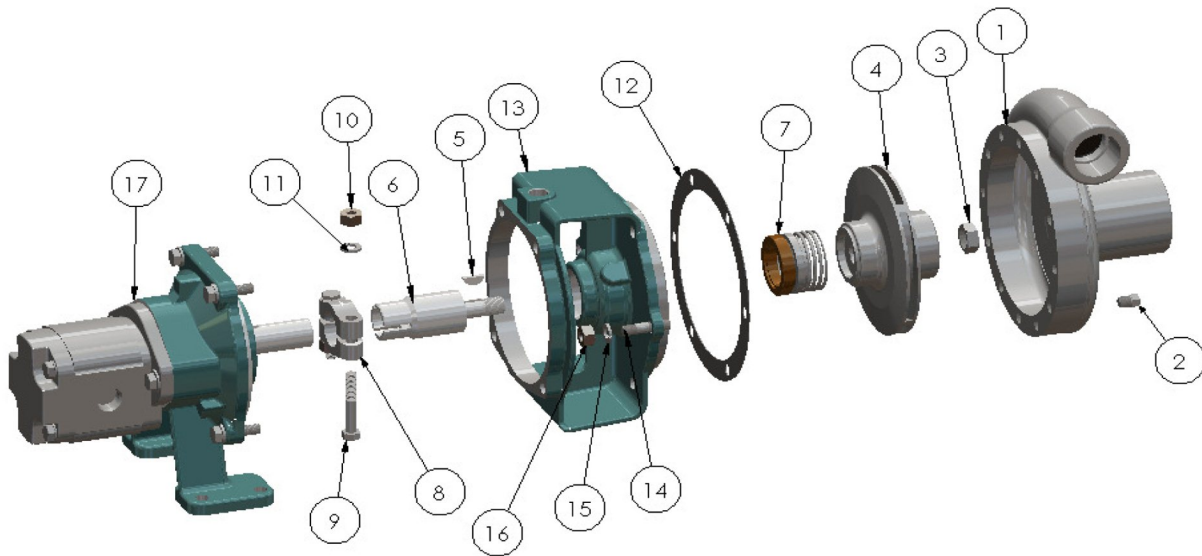


PUMP SUPPLY
 INCORPORATED

SERIES 120 HYDRAULIC



29379



ITEM NO.	PART NO.	DESCRIPTION	QTY.		ITEM NO.	PART NO.	DESCRIPTION	QTY.
1	26587	HOUSING - DUCTILE IRON	1		10	21268	HEXNUT S.S. - 3/8-16	2
2	21585	PIPE PLUG ZPS - 1/8" NPT	2		11	21266	LOCKWASHER S.S. - 3/8	2
3	22655	HEX JAM NUT - S.S. - 5/8-18	1	*	12	25662	GASKET KLINGERSIL C-4433	1
4	27027	IMPELLER - CAST IRON - Ø5.96	1		13	22348	ADAPTER CAST IRON	1
5	21762	WOODRUFF KEY S.S. - #8	1		14	21261	STUD S.S. - 3/8-16 X 1.63	6
6	22700	DRIVE SLEEVE S.S. - 1" O.D.	1		15	21266	LOCKWASHER S.S. - 3/8	6
7	22362	SEAL ASSY. - TYPE 21 VITON	1		16	21268	HEXNUT S.S. - 3/8-16	6
8	22356	CLAMP S.S. - 1"	2		17	28551	PEDESTAL ASSY. - ULTRA	1
9	21269	CAPSCREW S.S. - 3/8-16 X 2.25	2					

*RECOMMENDED REPLACEMENT PARTS



Illinois Location:

(847) 841-7867

860 Church Rd Elgin, IL 60123

Minnesota Location:

(651) 758-7867

330 Mill Bay South Suite 1511 Afton, MN 55001

PumpSupplyInc.com

