



SERIES 110

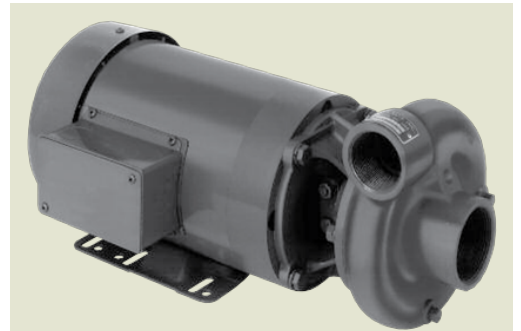
1-1/2" x 1-1/4" End Suction Centrifugal Pump

The SERIES 110 high volume centrifugal pumps are close-coupled to standard NEMA "C" face motors. Open adaptor protects motor. All models are available in cast iron, bronze or aluminum construction to suit a wide variety of liquids.

All fasteners are stainless steel to reduce corrosion. Impellers are balanced to improve efficiency and bearing life.

Standard carbon / ceramic / Viton mechanical seal is self-adjusting and corrosion resistant to handle almost any liquid.

Completely tested "Wet End" PumPAKs are available with or without motors and can be mounted to standard "C" frame motors in just minutes.



Application

- Agricultural
- Commercial
- Industrial
- OEM

SPECIFICATIONS:

Suction And Discharge	1-1/2" x 1-1/4" NPT
Materials Of Construction	Bronze, Cast iron
Flow	Up to 130 GPM
Head Feet	Up to 60'
Impeller	4" semi-open
Motor	Up to 2 HP
Drive Options	Close coupled 56C, Close coupled 145TC, PumPAK® (without motor)
Seal	Special seal material combinations available (consult factory), Standard carbon / ceramic / Viton
Max Solid Size	.32"

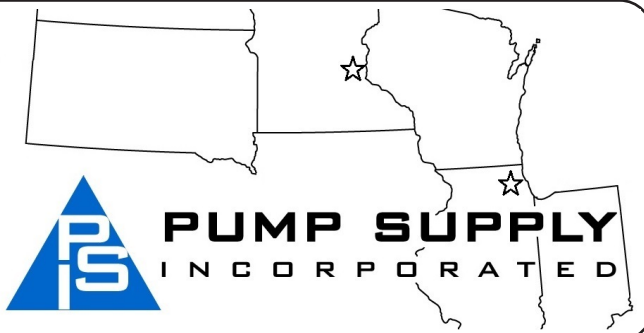
Illinois Location:

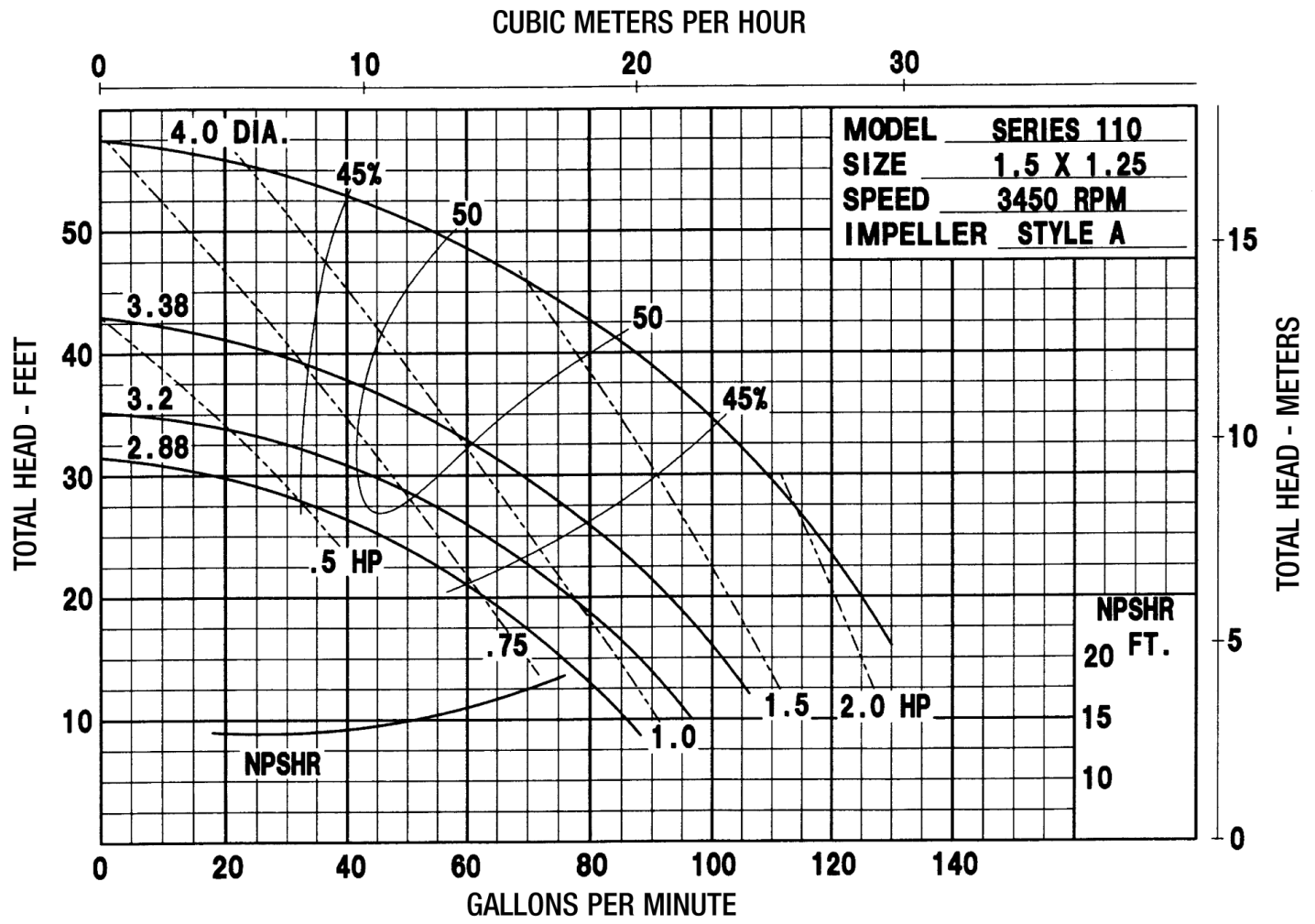
(847) 841-7867
860 Church Rd Elgin, IL 61

Minnesota Location:

(651) 758-7867
330 Mill Bay South Suite :
Afton, MN 55001

PumpSupplyInc.com






Illinois Location:
 (847) 841-7867
 860 Church Rd Elgin, IL 61

Minnesota Location:
 (651) 758-7867
 330 Mill Bay South Suite
 Afton, MN 55001

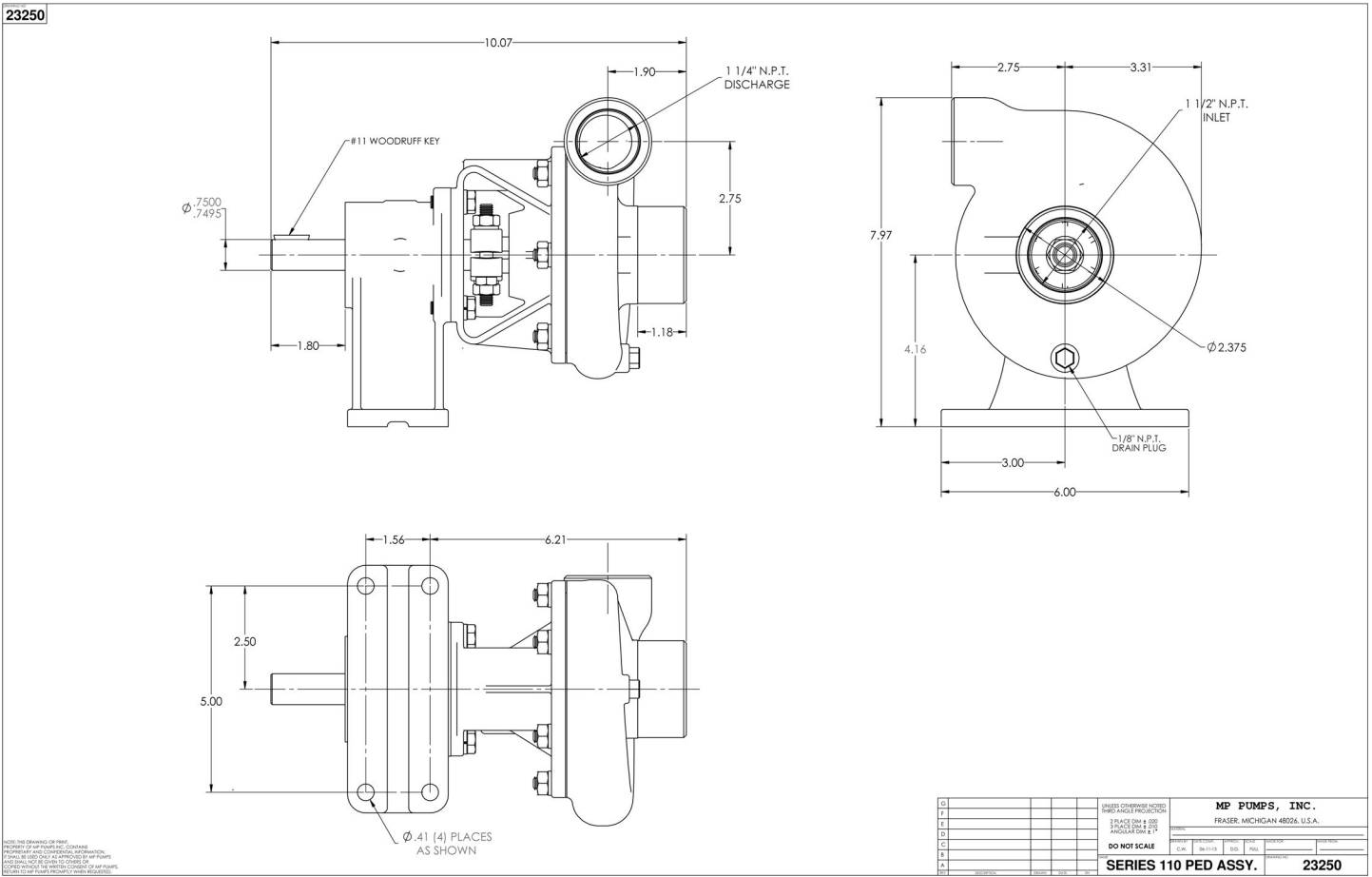
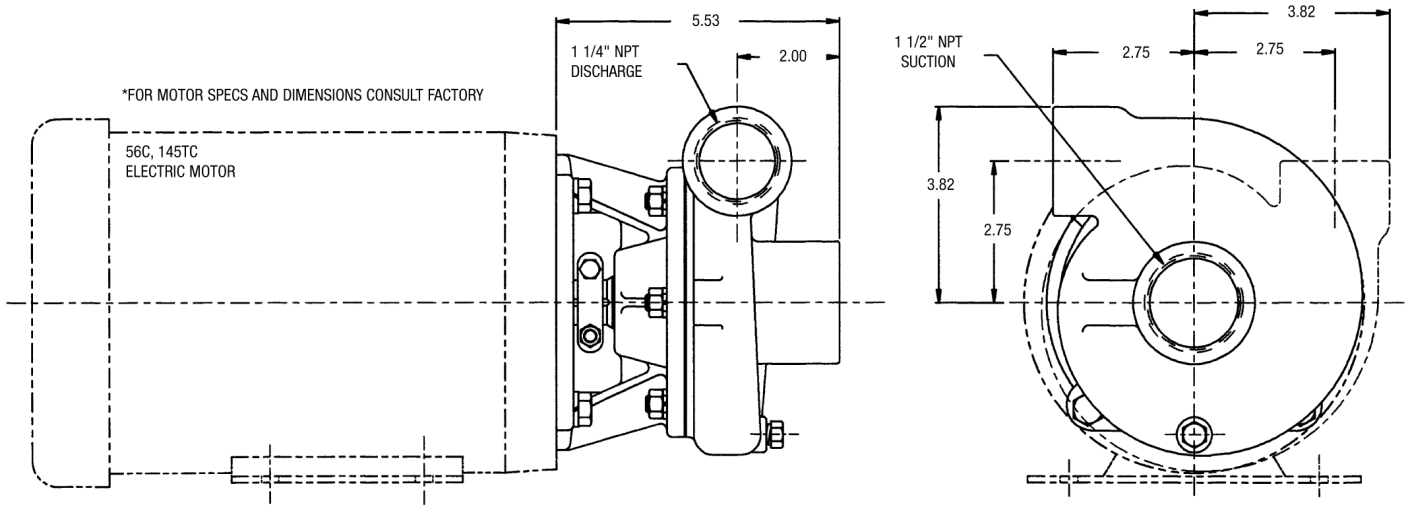
PumpSupplyInc.com



PS

PUMP SUPPLY
INCORPORATED

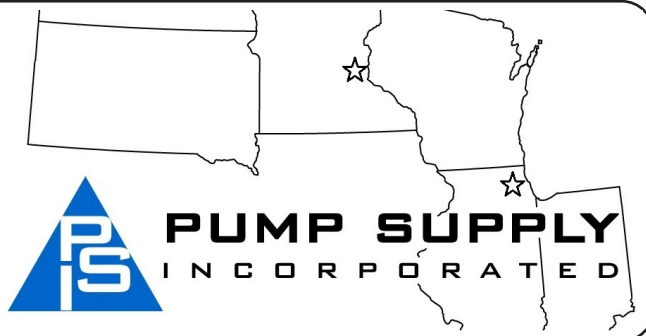




Illinois Location:
 (847) 841-7867
 860 Church Rd Elgin, IL 61

Minnesota Location:
 (651) 758-7867
 330 Mill Bay South Suite :
 Afton, MN 55001

PumpSupplyInc.com

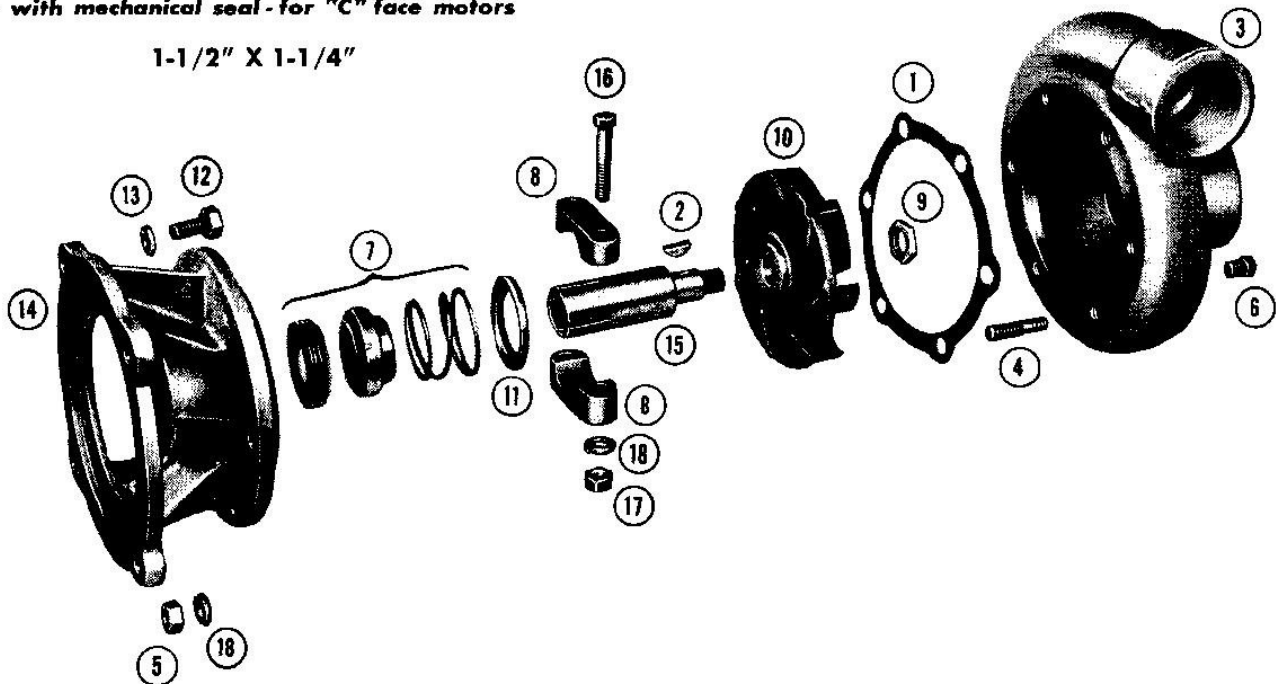


ELECTRIC MOTOR DRIVEN

with mechanical seal - for "C" face motors

1-1/2" X 1-1/4"

**SERIES 110
STRAIGHT CENTRIFUGAL PUMPAKS**



IMPORTANT: When ordering parts, specify model and serial number shown on nameplate.

ITEM NO.	PART NO.	DESCRIPTION	QUANTITY REQUIRED PER MODEL			
			ROTATION	ALL MODELS LISTED ARE RIGHT HAND		
			PIPE SIZE	1 1/2" x 1 1/4"	1 1/2" x 1 1/4"	1 1/2" x 1 1/4"
			METAL	CAST IRON	ALUMINUM	BRONZE

HOUSING

3	22922	Housing Assembly — Inc:	1			
4	21134	Housing — Cast Iron	1			
4	21243	Stud — S.S. — 5/16"	6			
6	21255	Pipe Plug — S.S. — 1/8" NPT	2			
	24240	Housing Assembly — Inc:		1		
3		Housing — Aluminum		1		
4	21243	Stud — S.S. — 5/16"		6		
6	21255	Pipe Plug — S.S. — 1/8" NPT		1		
5	21244	Hex Nut — S.S. — 5/16"	6	6		
18	21236	Lockwasher — S.S. — 5/16"	6	6		
	22921	Housing Assembly — Inc:				1
3		Housing — Bronze				1
4	21150	Stud — Br. — 5/16"				6
6	21185	Pipe Plug — Bronze — 1/8" NPT				1
5	21179	Hex Nut — Br. — 5/16"				6
18	21184	Washer — Br.				6
1	21149	Gasket	1	1		1



MP PUMPS DIVISION OF **TECUMSEH PRODUCTS CO.**
34800 Bennett Dr., Fraser, MI 48026 (313) 293-8240 TLX: 358-238

**SERVICE PARTS LIST
Form 7045A**

Illinois Location:

(847) 841-7867
860 Church Rd Elgin, IL 60120

Minnesota Location:

(651) 758-7867
330 Mill Bay South Suite
Afton, MN 55001

PumpSupplyInc.com



**PUMP SUPPLY
INCORPORATED**

SERIES 110

MN - (651) 758-7867



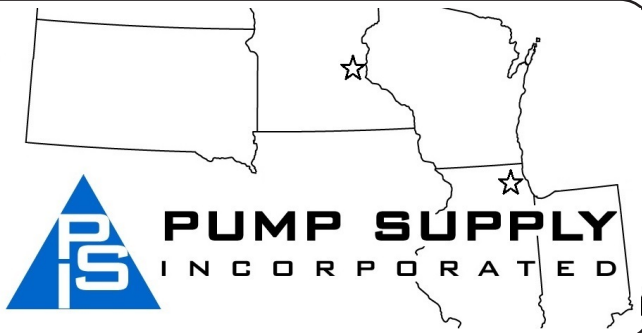
IL - (847) 841-7867

ITEM NO.	PART NO.	DESCRIPTION	QUANTITY REQUIRED PER MODEL			
			ROTATION	ALL MODELS LISTED ARE RIGHT HAND		
			PIPE SIZE	1½" x 1¼"	1½" x 1¼"	1½" x 1¼"
			METAL	CAST IRON	ALUMINUM	BRONZE
IMPELLER						
10	24542	Impeller — 4" Dia. — C.I. Style "A"		1		
10	25021	Impeller — 3.9" Dia. — C.I. Style "B"		1		
10	24691	Impeller — 3.38" Dia. — C.I. Style "A"		1		
10	24692	Impeller — 3.12" Dia. — C.I. Style "A"		1		
10	24693	Impeller — 2.87" Dia. — C.I. Style "A"		1		
10	Consult Factory	Impeller — Aluminum			1	
10	24742	Impeller — 4" Dia. — Bronze Style "A"				1
10	25200	Impeller — 3.9" Dia. — Bronze Style "B"				1
10	24731	Impeller — 3.38" Dia. — Bronze Style "A"				1
10	24732	Impeller — 3.12" Dia. — Bronze Style "A"				1
10	24733	Impeller — 2.87" Dia. — Bronze Style "A"				1
15	22677	Drive Sleeve, 7/8" Dia. Stainless Steel	1	1		1
15	22676	Drive Sleeve, 5/8" Dia. Stainless Steel	1	1		1
2	21163	Impeller Drive Key — S.S. — #6	1	1		1
9	22621	Impeller Locknut — S.S. — 1/2"	1	1		
9	22629	Impeller Locknut — Br. — 1/2"				1
SEAL						
7	22272	Seal Assembly Inc:	1	1		1
11	22133	Seal Spring Retainer	1	1		1
CLAMP						
	23002	Clamp Assembly for 5/8" Sleeve	1	1		1
8		Clamp	2	2		2
16	21284	Capscrew — S.S. — 5/16"	2	2		2
17	21284	Hex Nut — S.S. — 5/16"	2	2		2
18	21238	Lockwasher — S.S. — 5/16"	2	2		2
	23003	Clamp Assembly for 7/8" Sleeve	1	1		1
8		Clamp	2	2		2
16	21284	Capscrew — S.S. — 5/16"	2	2		2
17	21284	Hex Nut — S.S. — 5/16"	2	2		2
18	21238	Lockwasher — S.S. — 5/16"	2	2		2
ADAPTOR						
14	22671	Adaptor — Cast Iron	1			
14	22669	Adaptor — Aluminum		1		
14	22670	Adaptor — Bronze				1
12	21251	Capscrew — S.S. — 3/8"	4	4		4
13	21266	Lockwasher — S.S. — 3/8"	4	4		4

Illinois Location:
 (847) 841-7867
 860 Church Rd Elgin, IL 60120

Minnesota Location:
 (651) 758-7867
 330 Mill Bay South Suite
 Afton, MN 55001

PumpSupplyInc.com



7045A

Litho in U.S.A.

