

OPERATOR'S MANUAL

SCD501BN08-VXX

INCLUDING: OPERATION, INSTALLATION & MAINTENANCE

RELEASED: 5-25-15
 REVISED 11-20-15
 (REV: B)

AUTOMATIC DEWATERING SYSTEM



READ THIS MANUAL CAREFULLY BEFORE INSTALLING, OPERATING OR SERVICING THIS EQUIPMENT.

It is the responsibility of the employer to place this information in the hands of the operator. Keep for future reference.

SERVICE KITS

Use only genuine ARO® replacement parts to assure compatible pressure rating and longest service life.

- SS-BQG550 for universal bracket replacement.
- PNCV-1/2 for pneumatic controlled valve replacement.
- 637523 for Tubing kit replacement.

MODEL DESCRIPTION CHART

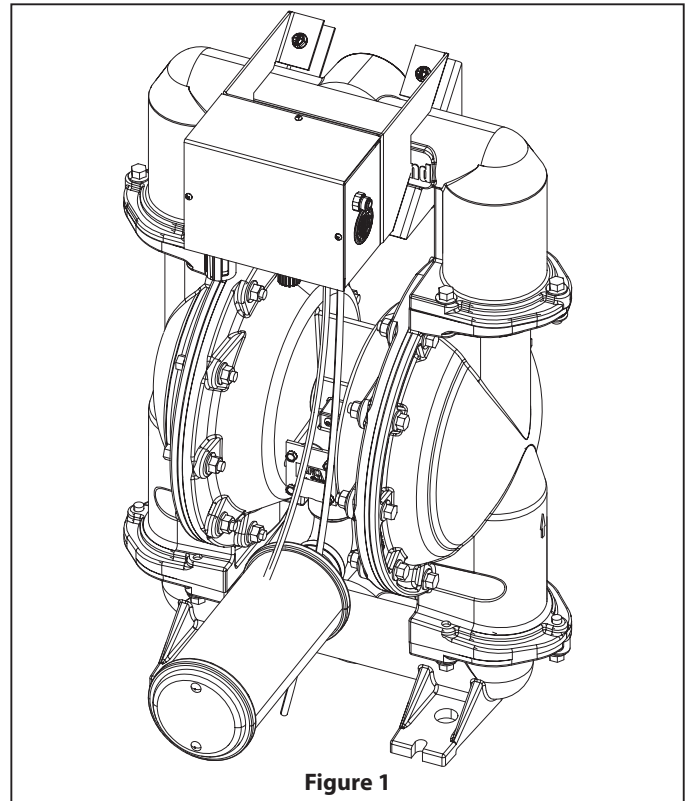
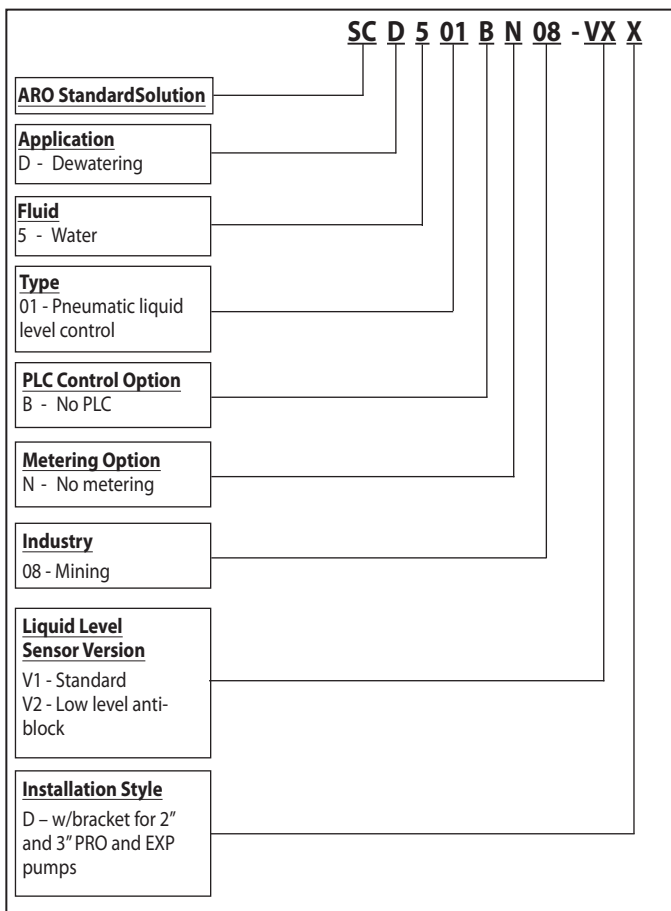


Figure 1

COMPONENTS INCLUDED WITH KIT

- | | |
|------------|---|
| LLS-SC-VX | Liquid Level Sensor (LLS), Version 1 or 2 |
| SS-BQG550 | Universal Mounting Bracket |
| 637523 | Tubing Kit (includes 20m of 6mm tubing and two filters) |
| PNCV-1/2 | Pneumatic Controlled Valve (PCV) Module Assembly |
| 97999-7154 | Operator's Manual |

GENERAL DESCRIPTION

The ARO® Automatic Dewatering System (ADS) offers automatic on/off controls of air operated diaphragm pumps. The ADS has a Liquid Level Sensor (LLS) which produces a pneumatic output signal as the fluid level in an unpressurized vessel rises past a predetermined level and stops the signal as the fluid level falls past a lower predetermined level. This pneumatic signal actuates the Pneumatic Controlled Valve (PCV) in order to open the air line and start the diaphragm pump. The liquid level range can be set by changing the location of the tail ends of the "High Level" and "Low Level" sensing tubes.



Illinois Location:

(847) 841-7867

860 Church Rd Elgin, IL 60123

Minnesota Location:

(651) 758-7867

330 Mill Bay South Suite 1511 Afton, MN 55001

PumpSupplyInc.com



INSTALLATION

I. Mount the Bracket to the diaphragm pump:

1. Attach the front bracket to the top manifold of the pump, making sure the vertical edge of the bracket is against the flat side of the manifold (where ARO logo is). See Figure 2.

NOTICE

- This applies to manifolds with round cross section, like PRO and EXP plastic pumps.
2. Mount the rear bracket from the opposite side of the manifold and secure in place with the M8 bolts and nuts. See Figure 3.

NOTICE

- Use the long bolts (70mm) for the 3" pumps and the 2" plastic EXP pump. Use the short bolts (30mm) for the 2" metallic pumps.
3. Tighten the bolts/nuts, making sure the distances between the front and rear brackets are equal at all four bolt locations.

NOTICE

- Make sure the bracket is fixed in place and it will not move.

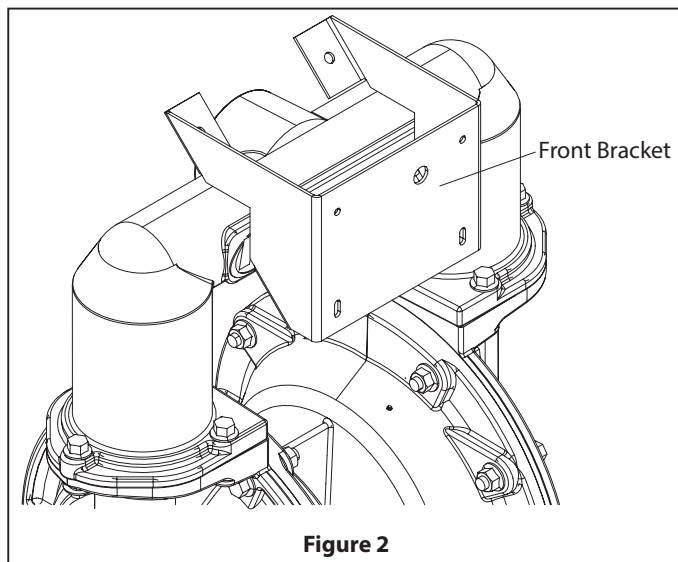


Figure 2

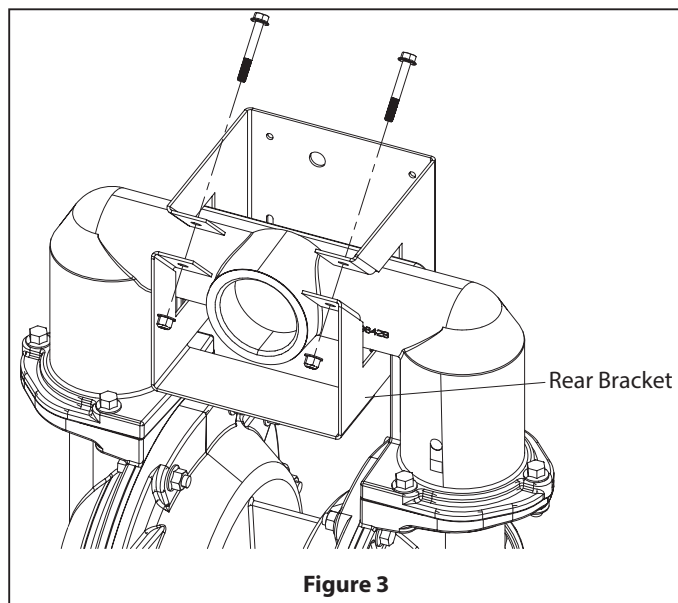


Figure 3

II. Mount the LLS to the bracket:

Mount the LLS to the bracket using the M6 bolts and the washers. See Figure 4.

NOTICE

- Tighten all bolts and make sure the LLS is fixed in place and it will not move.

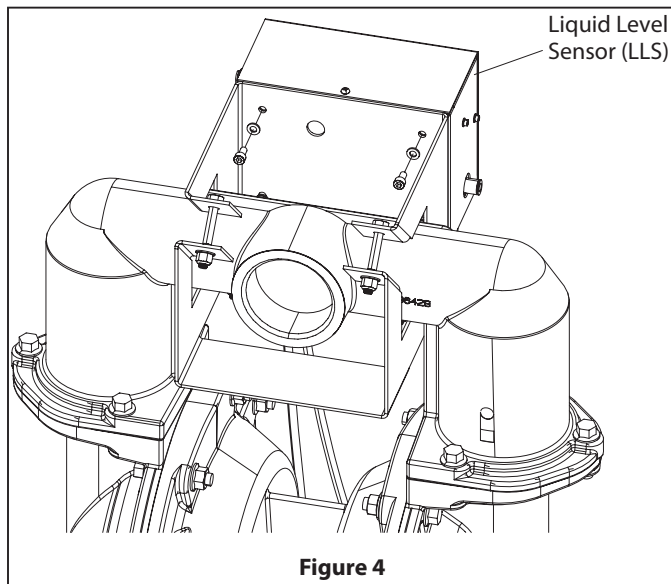


Figure 4

III. Mount the PCV Module to the air inlet of the diaphragm pump:

1. The PCV Module should be assembled.
2. Mount the union to the air inlet of the diaphragm pump.
3. Mount the PCV Module to the union, see Figure 5.

NOTICE

- Wrap the male thread with the thread seal tape before installation.

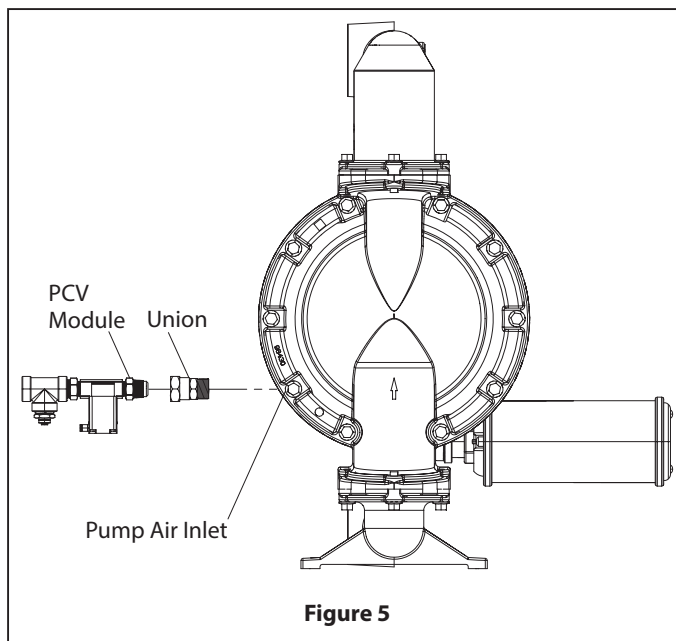


Figure 5



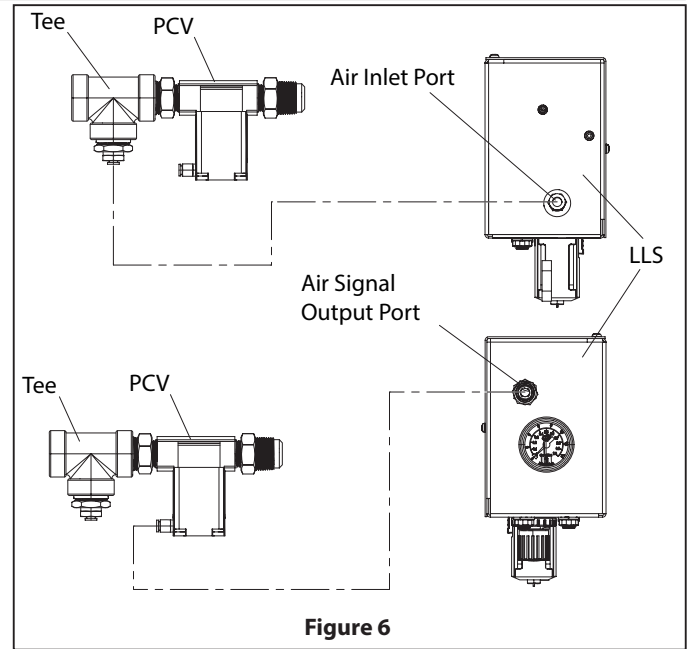
INSTALLATION

IV. Pneumatic connection between LLS, Tee and PCV:

1. Cut the 6mm tube to an appropriate length and connect the Tee of the PCV Module to the air inlet of the LLS.
2. Repeat step 1 and connect the PCV to the air signal output port of the LLS.
3. Finish all of the above steps to complete the installation.

NOTICE

- The PNCV-1/2 PCV Module is compatible with 2" and 3" ARO pumps. An adaptor (not supplied) may be used for compatibility with smaller pumps.



OPERATING INSTRUCTIONS

The First Time

1. Ensure the pump is installed properly.
2. Connect the air supply 2-7 bar (29-101 psig) to the Tee of the PCV Module (Female Rc 3/4"), see Figure 8.
3. Adjust the air pressure on the LLS pressure regulator to 0.2 bar (2.9 psig).
4. Cut the two sensing tubes to length. Connect these two tubes to the High Level Sensing Tube Port fitting (marked as "H") and Low Level Sensing Tube Port fitting (marked as "L"), see Figure 7.
5. Connect the Sensing Tube Filters to the end of the two Sensing Tubes separately, see Figure 8.
6. Install the High Level Sensing Tube with the open end pointing downward and located below 5 to 10 cm (2 to 4 inches) the level where the start signal should occur.
7. Install the Low Level Sensing Tube with the open end pointing downward and located below 5 to 10 cm (2 to 4 inches) the level where the stop signal should occur.

NOTICE

- Ensure the **Testing** step has been executed before installing the above two sensing tubes.
- Install a filter and regulator in order to improve the system's stability and service life.
- The length of the sensing tube should be close to the sum of the distance between the pump and the liquid container and the depth of the container.
- If silt exists, ensure that the open end of the Low Level Sensing Tube is 10 cm (4 inches) higher than the silt (depending on the speed of the silt accumulation).

Testing

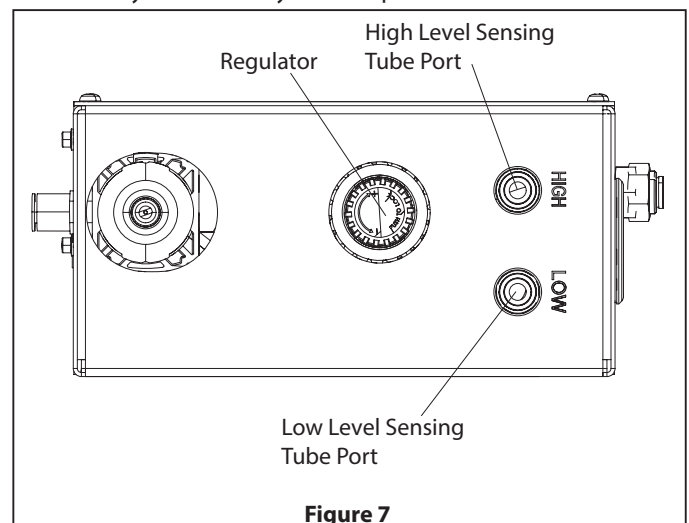
NOTICE

- Ensure that the air supply pressure is between 2-7 bar (29-101 psig) and that the LLS pressure is around 0.2 bar (2.9 psig).

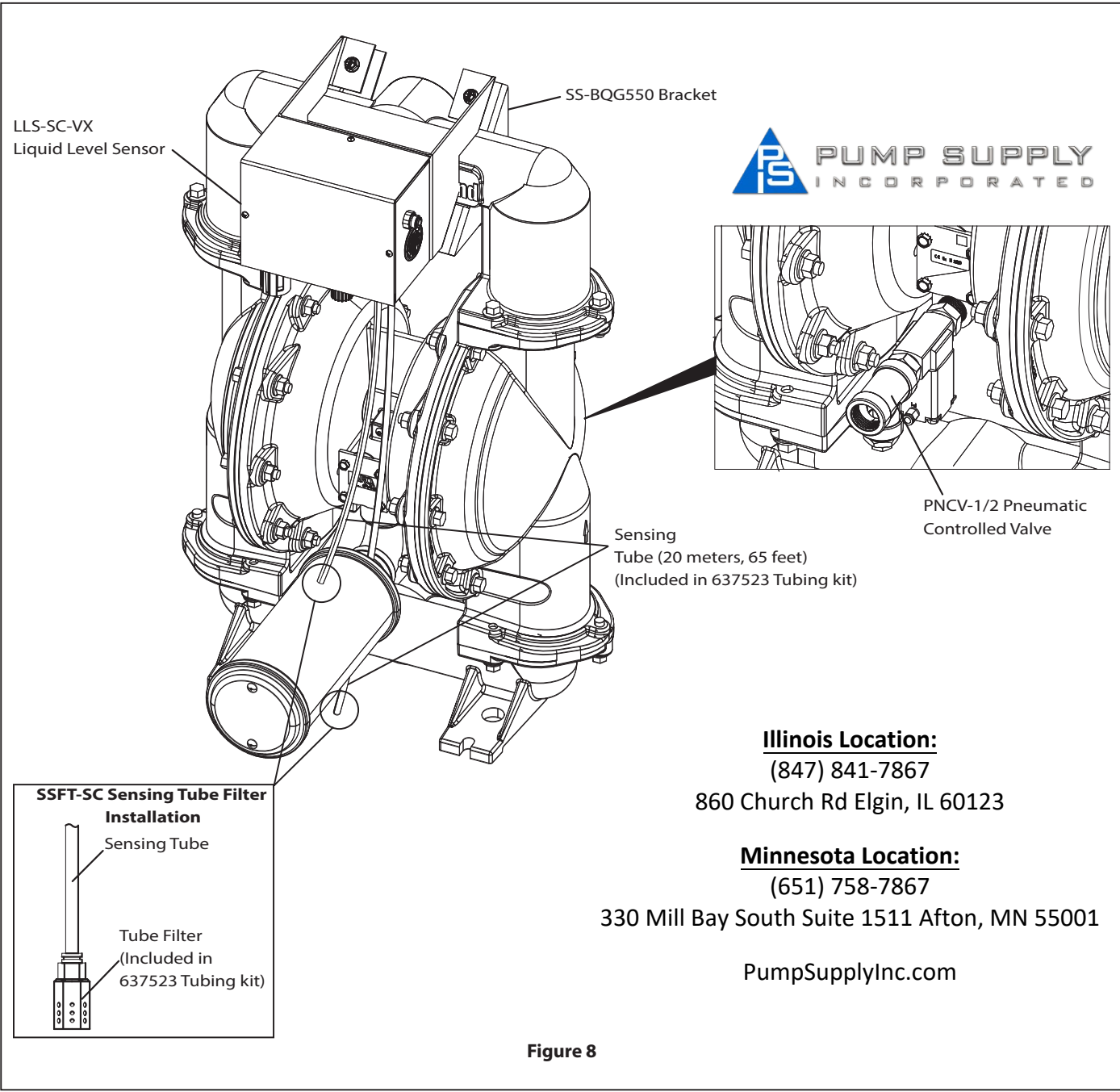
1. Prepare an open container with the water level higher than 15 cm (6 inches).
2. Place the Low Level Sensing Tube's open end to the bottom of the container.
3. Slowly Insert the High Level Sensing Tube's open end into the water with a depth of 5-12 cm (2 - 5 inches). The pump should start.
4. Remove the High Level Sensing Tube from the water. The pump should continue working.
5. Slowly pull out the High Level Sensing Tube. The pump should stop working when the open end approaches the liquid level.
6. The Automatic Dewatering System should now be ready to operate.

NOTICE

- Changing the pressure has little effect on the liquid level sensing point. Excessively increasing / decreasing the pressure may render the system inoperable.



PARTS LIST / SCD501BN08-VXX



SS-BQG550 MOUNTING BRACKET COMPATIBILITY

The mounting bracket (SS-BQG550) is compatible with the following ARO pumps:

Pump Type	Generic Model Number	Notes
2" metallic EXP	PX20X-XXX-XXX-X	
2" metallic PRO	6662XX-XXX-C	
2" plastic EXP	PX20P-FXS-XXX	
3" metallic EXP	PX30X-AXX-XXX-X, PX30X-BXX-XXX-X	PX30X-FXX-XXX-X is not compatible (flange connection)
3" metallic PRO	6663XX-XXX-C	

TROUBLESHOOTING

Pump does not work when the liquid level rises above 10 cm (4 inches) higher than the open end of the High Level Sensing Tube.

- Check the air supply pressure, normal range is 2-7 bar (29-101 psig).
- Check the LLS air pressure, normal range is 0.2-0.5 bar (2.9 - 7.25 psig).
- Check the connections of the Sensing Tubes and the connections of tubes inside the LLS. Ensure that there is no air leakage at the fittings.

Pump stops working when the liquid level falls to the open end of the Low Level Sensing Tube.

- The open end of the Low Level Sensing Tube may be blocked by silt. Clean the silt or reinstall the open end to a higher place.

Pump stops working when liquid level approaches the High Level Sensing Tube's open end. The Low Level Sensing Tube is not functional.

- Air supply pressure may drop below 2 bar (29 psig) when the pump starts. Change to a bigger air supply hose or increase the air supply pressure.

DIMENSIONAL DATA

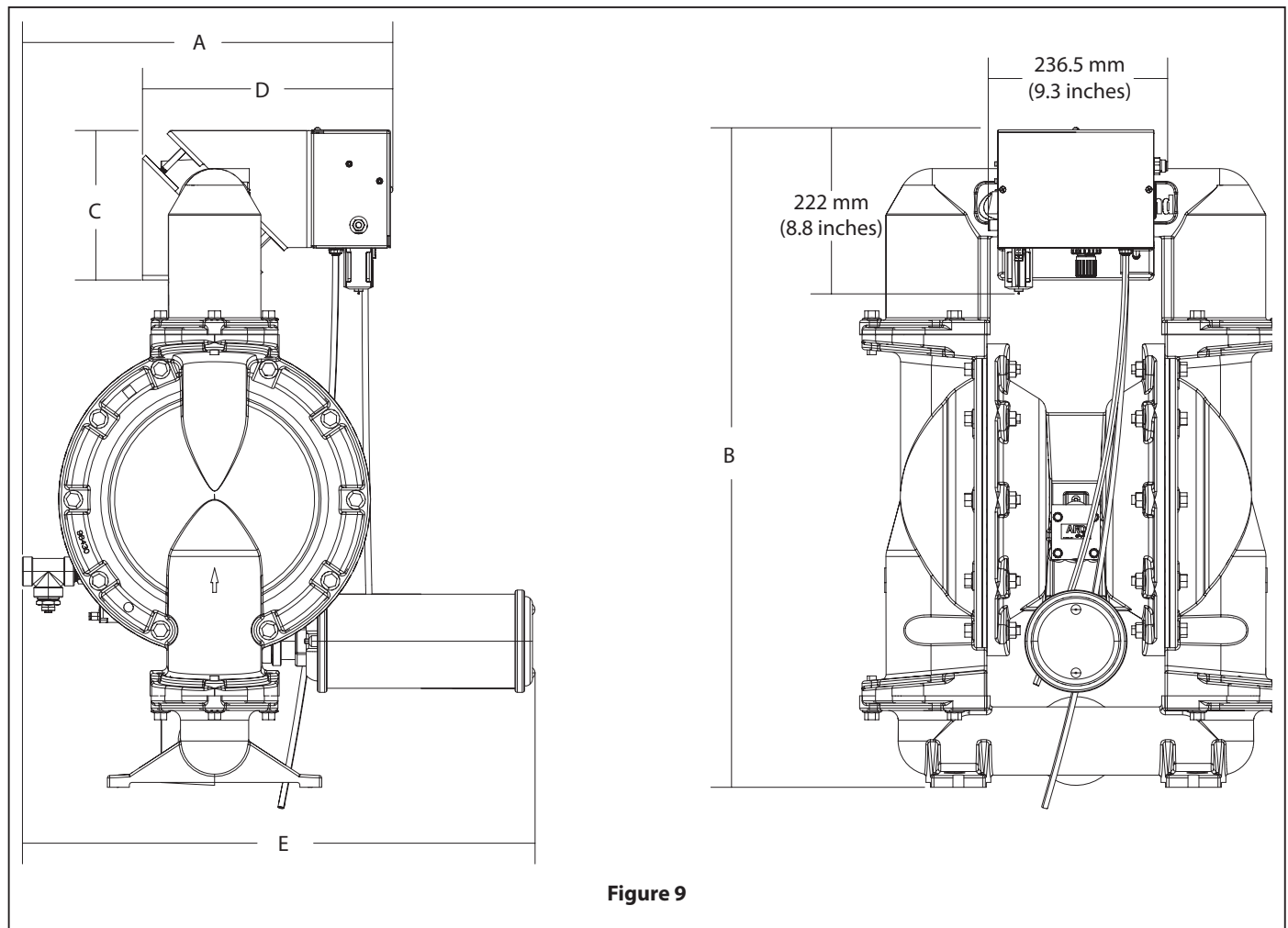


Figure 9

DIMENSIONS

Pump	A		B		C		D		E	
	mm	in.	mm	in.	mm	in.	mm	in.	mm	in.
2" metallic EXP	553.1	21.8	711.7	28.0	172.5	6.8	300.0	11.8	723.1	28.5
2" metallic PRO	466.8	18.4	710.8	28.0	169.5	6.7	297.0	11.7	660.0	26.0
2" plastic EXP	426.1*	16.8*	819.0	32.2	188.3	7.4	315.9	12.4	731.0	28.8
3" metallic EXP	570.5	22.5	855.4	33.7	195.9	7.7	323.5	12.7	728.1	28.7
3" metallic PRO	480.0	18.9	856.9	33.7	195.7	7.7	323.3	12.7	664.8	26.2

* **NOTE:** Dimensions for LLS installed on the same side of the air input line.

NOTES

Illinois Location:

(847) 841-7867

860 Church Rd Elgin, IL 60120

Minnesota Location:

(651) 758-7867

330 Mill Bay South Suite
Afton, MN 55001

PumpSupplyInc.com



NOTES

Illinois Location:

(847) 841-7867
860 Church Rd Elgin, IL 60120

Minnesota Location:

(651) 758-7867
330 Mill Bay South Suite
Afton, MN 55001



PumpSupplyInc.com



Illinois Location:
(847) 841-7867
860 Church Rd Elgin, IL 60120

Minnesota Location:
(651) 758-7867
330 Mill Bay South Suite
Afton, MN 55001

PumpSupplyInc.com



PS **PUMP SUPPLY**
INCORPORATED