



SBX

1-1/8" x 1-1/8" Hose Centrifugal Transportation Circulator

The SBX is designed for directional booster applications of water or coolant. Cost effective design with splash / weather proof 12 or 24V DC motor.

SPECIFICATIONS:

Materials Of Construction	Aluminum
Flow	Up to 18 GPM
Head Feet	Up to 15'
Impeller	2.5" semi-open nickel steel
Drive Options	12 & 24V DC brushed electric motor
Seal	Carbon / silicon carbide or silicon carbide / silicon carbide or carbon / ceramic
Base	Stamped steel with (4) vibration isolating grommets
Temperature	Operation in ambient temperatures up to 200°F, Use with fluids to 220°F and sustained fluid temps up to 210°F



Application

- Agricultural
- Commercial
- Industrial
- Marine
- OEM
- Transportation

Features

- Convenient directional volute port configuration
- Dual 18" long 14 AWG red (positive) black (negative) power leads
- Splash and weather resistant motor enclosure

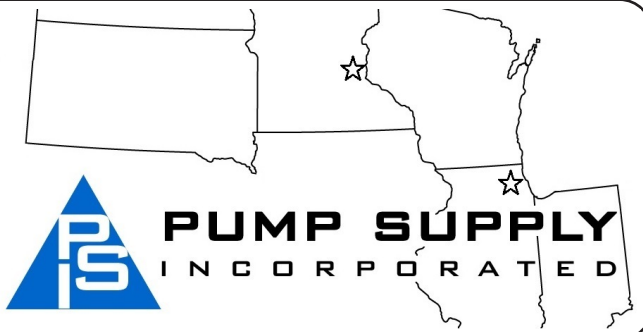
Illinois Location:

(847) 841-7867
860 Church Rd Elgin, IL 60120

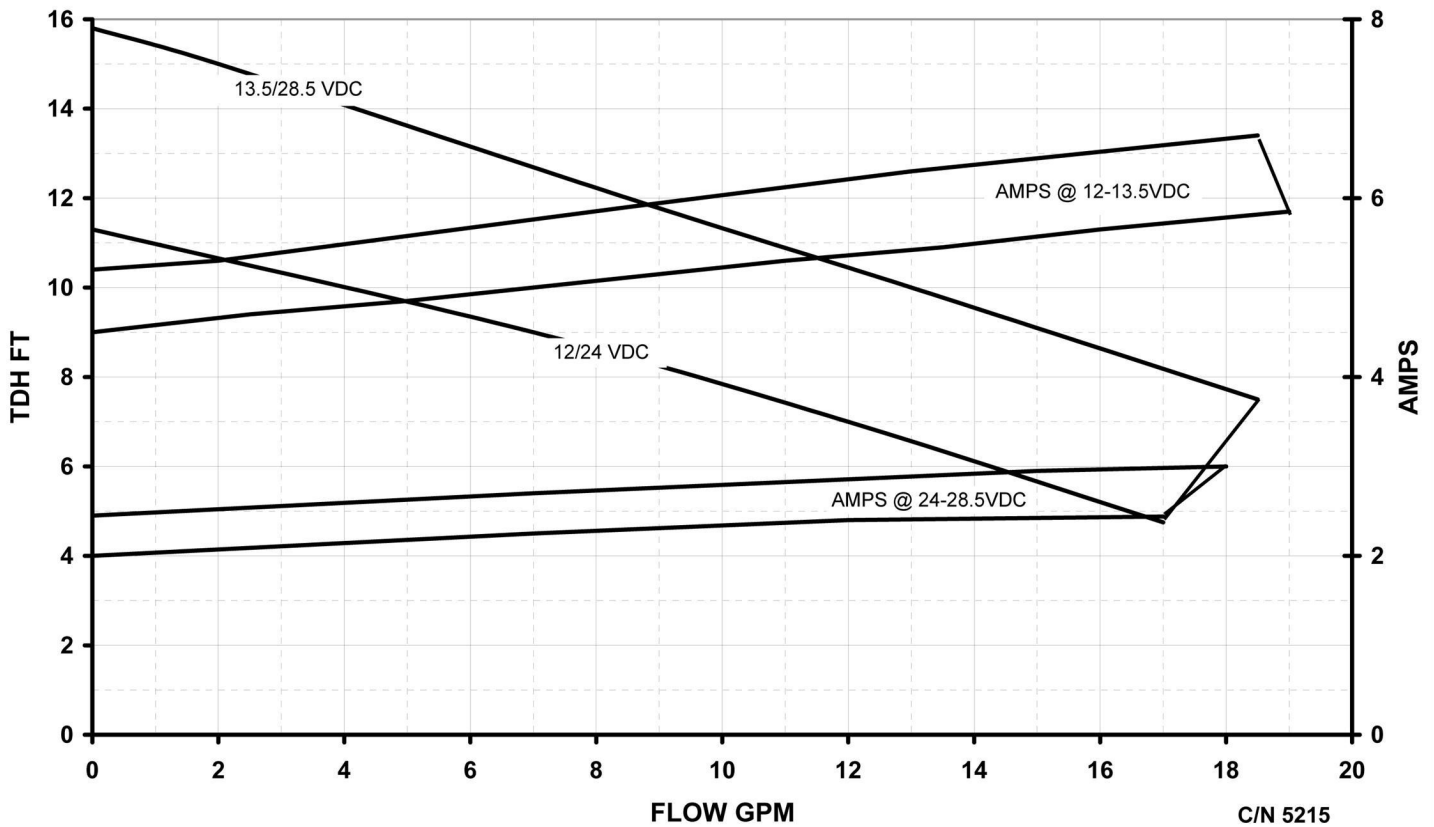
Minnesota Location:

(651) 758-7867
330 Mill Bay South Suite :
Afton, MN 55001

PumpSupplyInc.com




**SBX
1.125 HOSE**



Illinois Location:
(847) 841-7867
860 Church Rd Elgin, IL 60120

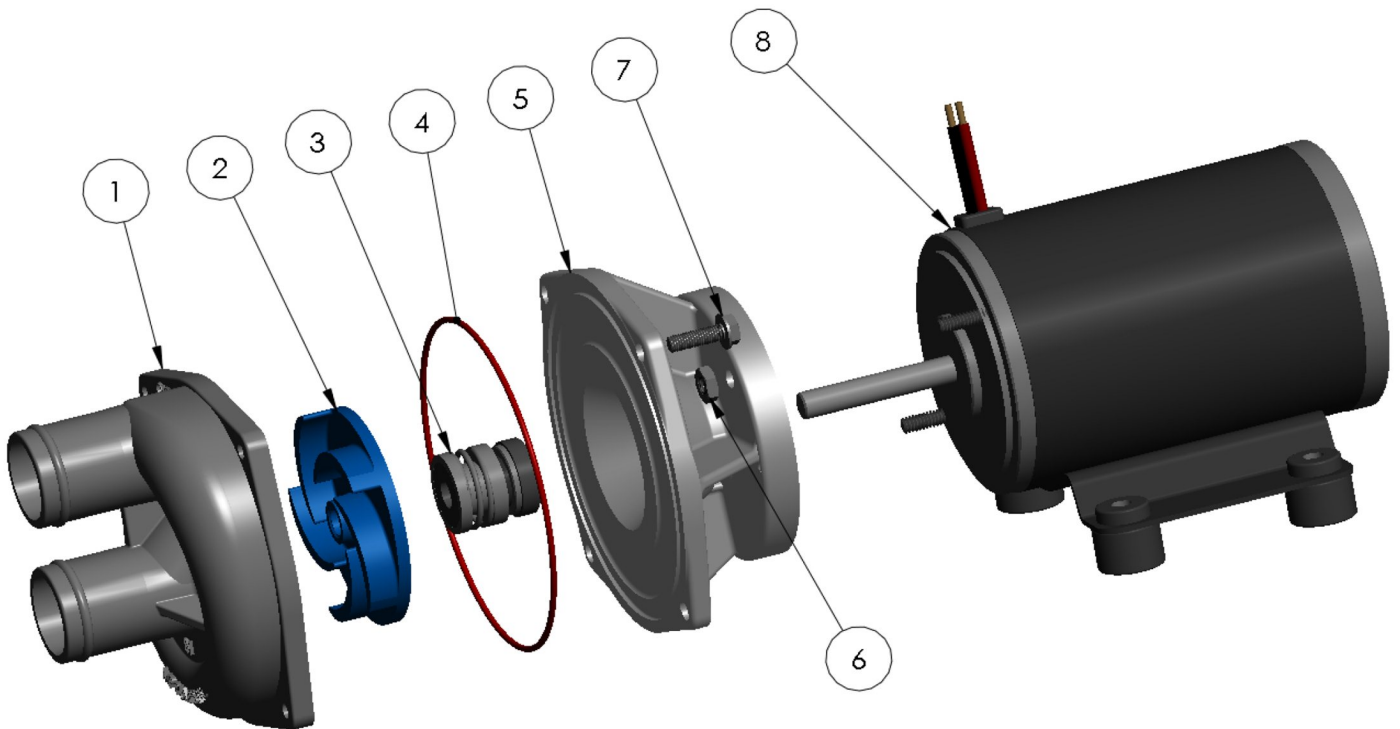
Minnesota Location:
(651) 758-7867
330 Mill Bay South Suite 100
Afton, MN 55001

PumpSupplyInc.com



PS **PUMP SUPPLY**
INCORPORATED

29924




ITEM NO.	PART NO.	DESCRIPTION	QTY.
1	33851	VOLUTE	1
2	21587	IMPELLER 2.50 DIA.	1
*	28984	SEAL ASSY. 7/8" TYPE 16	1
*	28613	O RING - VITON	1
5	28733	ADAPTER	1
6	21543	HEX NUT 10-32	2
7	28834	HEX CAPSCREW 10-32 X 5/8 S. TAP	4
8	28985	EL. MOTOR 12 VDC	1

*- RECOMMENDED REPLACEMENT PARTS

Illinois Location:
 (847) 841-7867
 860 Church Rd Elgin, IL 60120

Minnesota Location:
 (651) 758-7867
 330 Mill Bay South Suite 100
 Afton, MN 55001

PumpSupplyInc.com



PS **PUMP SUPPLY**
INCORPORATED