

# SALES AND ENGINEERING DATA

RATIO SERIES:	<b>1:1</b>
FLUID PSIG RANGE:	<b>10 - 120</b>

## PW20P-YXS-XXX-AXX 2" NON-METALLIC DIAPHRAGM PUMP

RELEASED: 12-31-20  
REVISED: 11-26-21  
(REV: B) S-1626

### SPECIFICATIONS

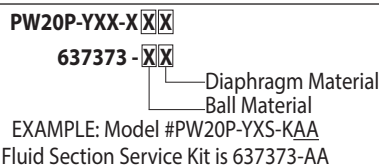
#### CONSTRUCTION

Model Series .....	PW20P-YXS-XXX-AXX
Pump Type .....	Non-Metallic, Air Operated, Double Diaphragm
Ratio .....	1:1
Material Inlet / Outlet .....	2" A.N.S.I / DIN Hybrid Flange
Air Inlet (female) .....	3/4 - 14 NPTF - 1
Air Exhaust (female) .....	1-1/2 - 11-1/2 NPSM
<b>Weight</b>	
PW20P-YXS-XXX .....	116.8 lbs (53 kgs)
PW20P-YPS-XXX .....	89 lbs (40.4 kgs)
Air Section Service Kit .....	637369
Fluid Section Service Kit .....	637373-XX

#### PERFORMANCE

Maximum Air Inlet Pressure .....	120 psig (8.3 bar)
Maximum Material Inlet Pressure ...	10 psig (0.69 bar)
Maximum Outlet Pressure .....	120 psig (8.3 bar)
Maximum Flow Rate (flooded inlet) .....	184 gpm (696 lpm)
Displacement / Cycle @ 100 psig ...	1.4 gal. (5.3 lit.)
Maximum Suction Lift (Dry Inlet) .....	19.5 ft (5.9 m) water
Maximum Suction Lift (Flooded Inlet) ...	31 ft (9.5 m) water
Maximum Particle Size .....	1/4" dia. (6.4 mm)
<b>Maximum Temperature Limits (diaphragm / ball / seal material)</b>	
E.P.R. / EPDM .....	-60° to 280° F (-51° to 138° C)
Hytrel® .....	-20° to 180° F (-29° to 82° C)
Nitrile .....	10° to 180° F (-12° to 82° C)
Polypropylene .....	32° to 175° F (0° to 79° C)
Conductive Polypropylene .....	32° to 175° F (0° to 79° C)
PVDF .....	10° to 200° F (-12° to 93° C)
Santoprene® .....	-40° to 225° F (-40° to 107° C)
PTFE .....	40° to 225° F (4° to 107° C)
Viton® .....	-40° to 350° F (-40° to 177° C)
<b>Noise Level @ 70 psig - 60 cpm<sup>①</sup> ...</b>	<b>85.0 dB(A)<sup>②</sup></b>

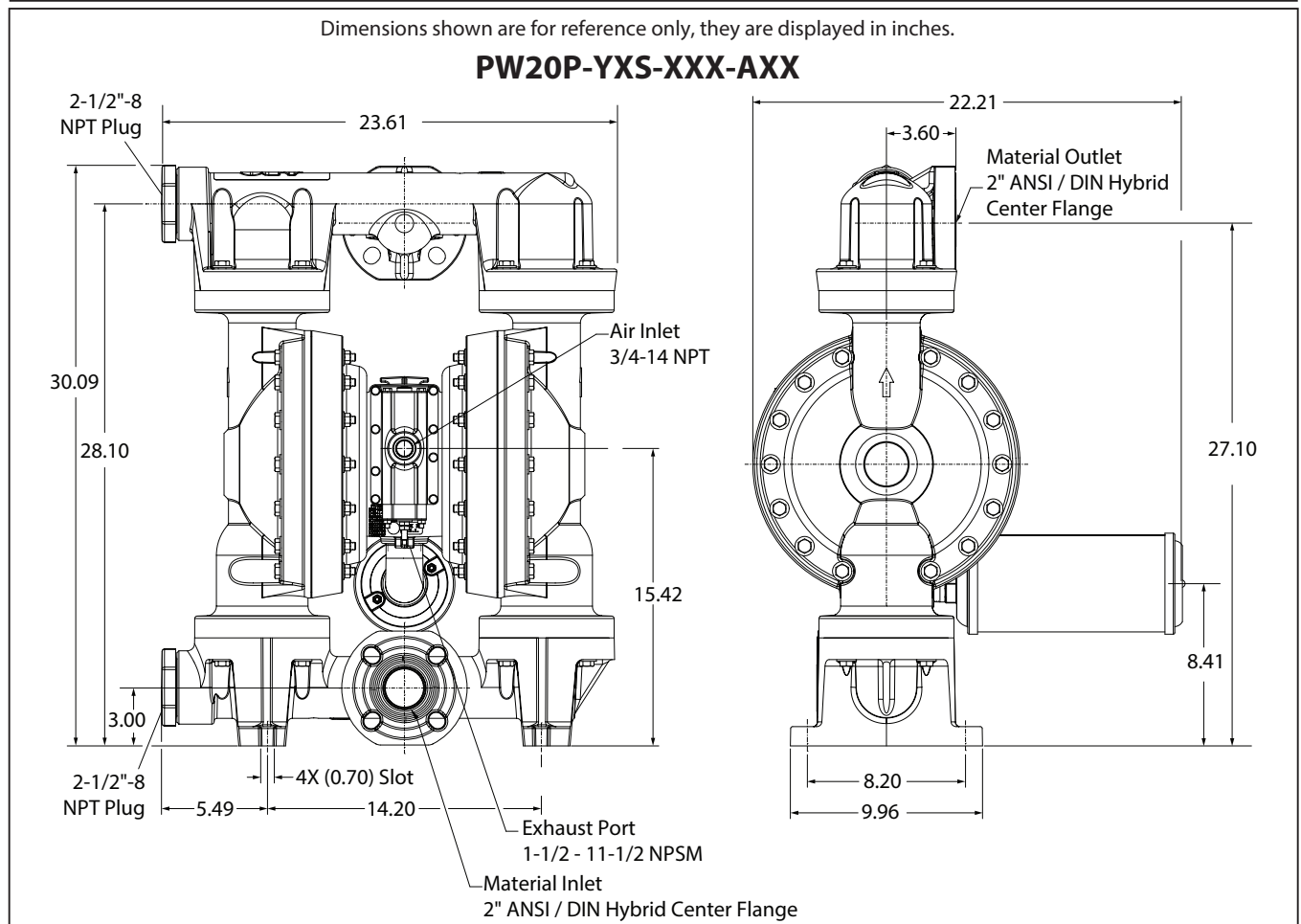
① Tested with 67263 muffler assembly installed.  
② The pump sound pressure level has been updated to an Equivalent Continuous Sound Level (LA<sub>eq</sub>) to meet the intent of ANSI S1. 13-1971, CAGI-PNEUROP S5.1 using four microphone locations.



### DIMENSIONAL DATA

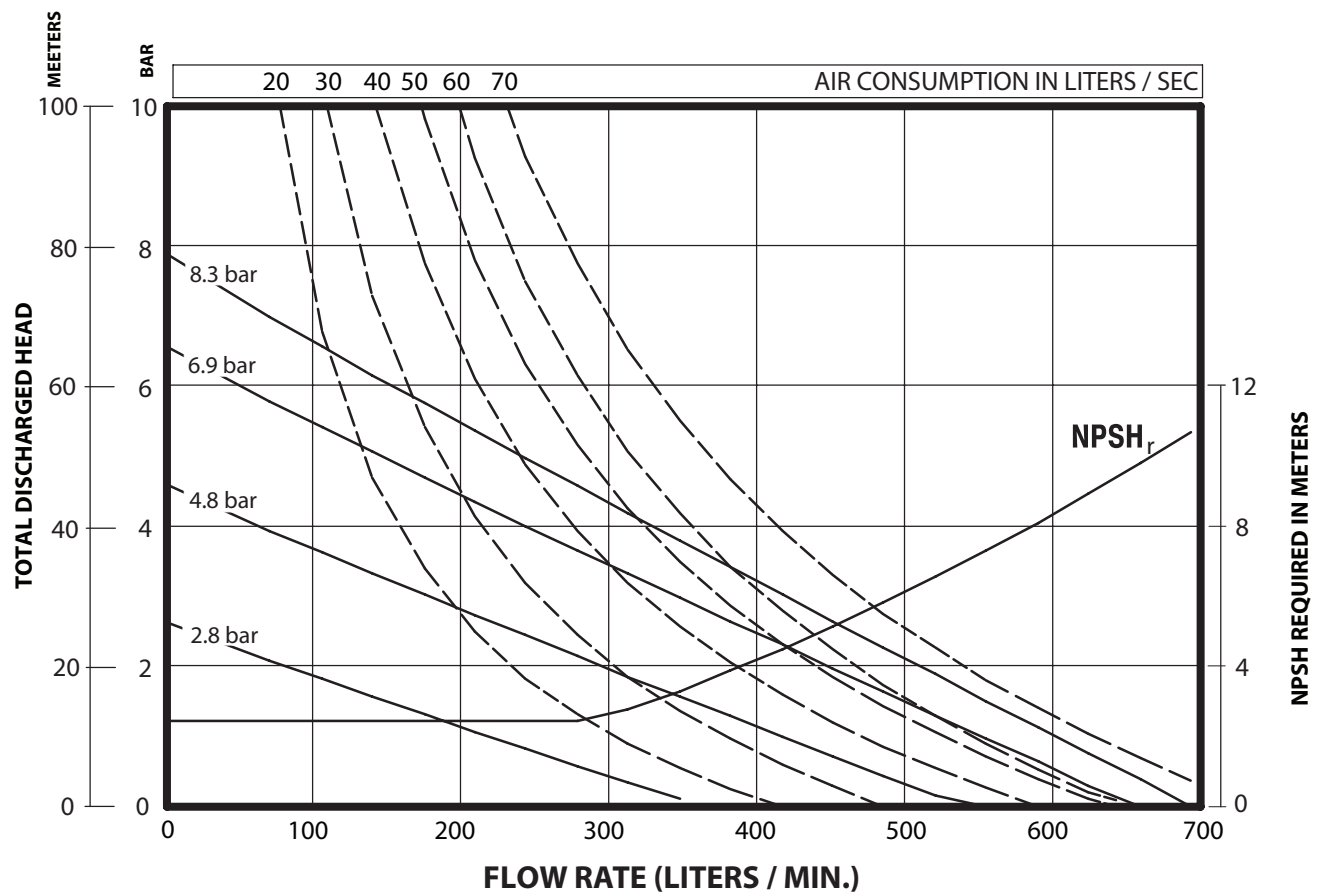
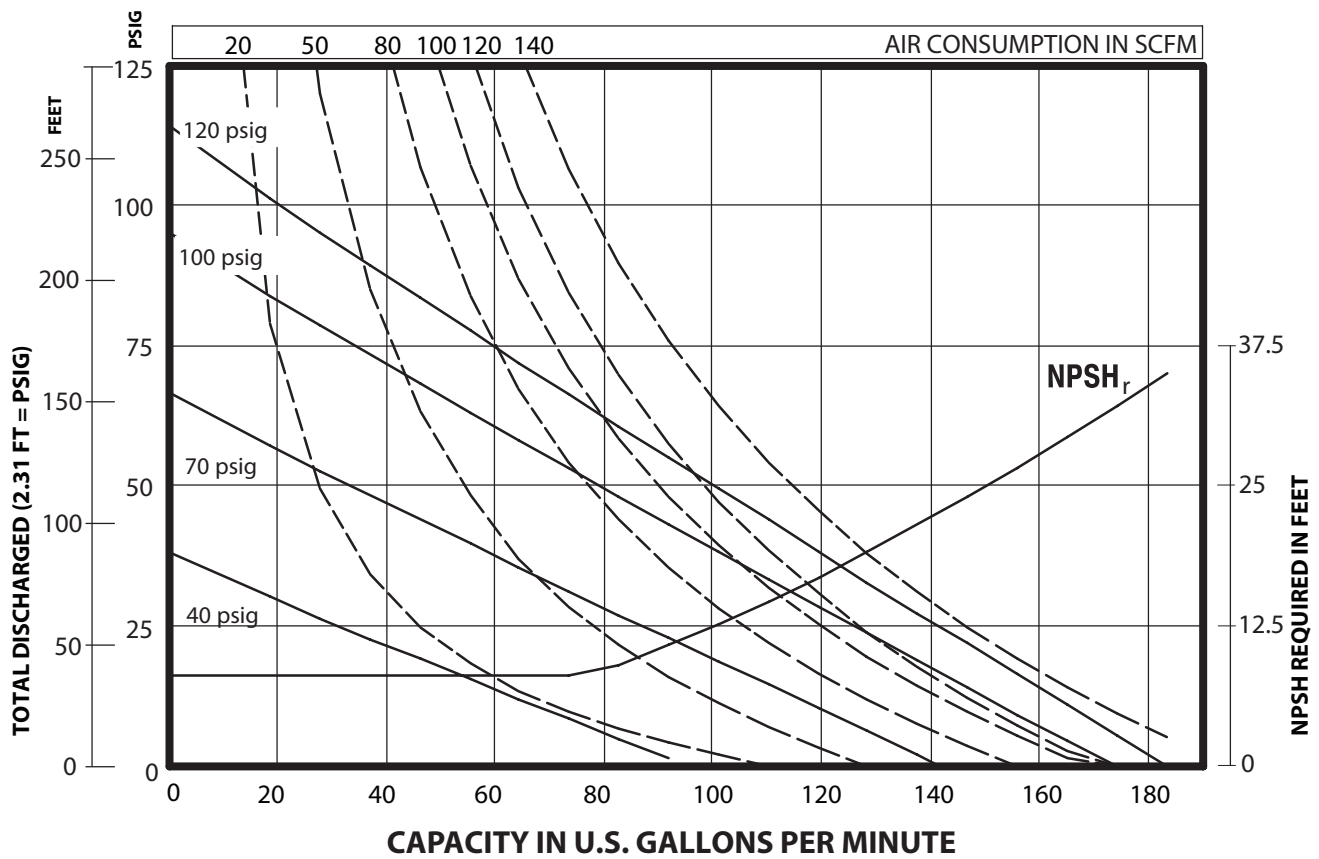
Dimensions shown are for reference only, they are displayed in inches.

#### PW20P-YXS-XXX-AXX



**PERFORMANCE CURVES**

**PW20P-YXS-XXX 2" NON-METALLIC DIAPHRAGM PUMP**



Performance based on an elastomeric fitted pump, flooded suction with water at ambient conditions. Due to varying materials of construction, assembly configurations and operating conditions, published data is for reference only.

