

# SALES & ENGINEERING DATA

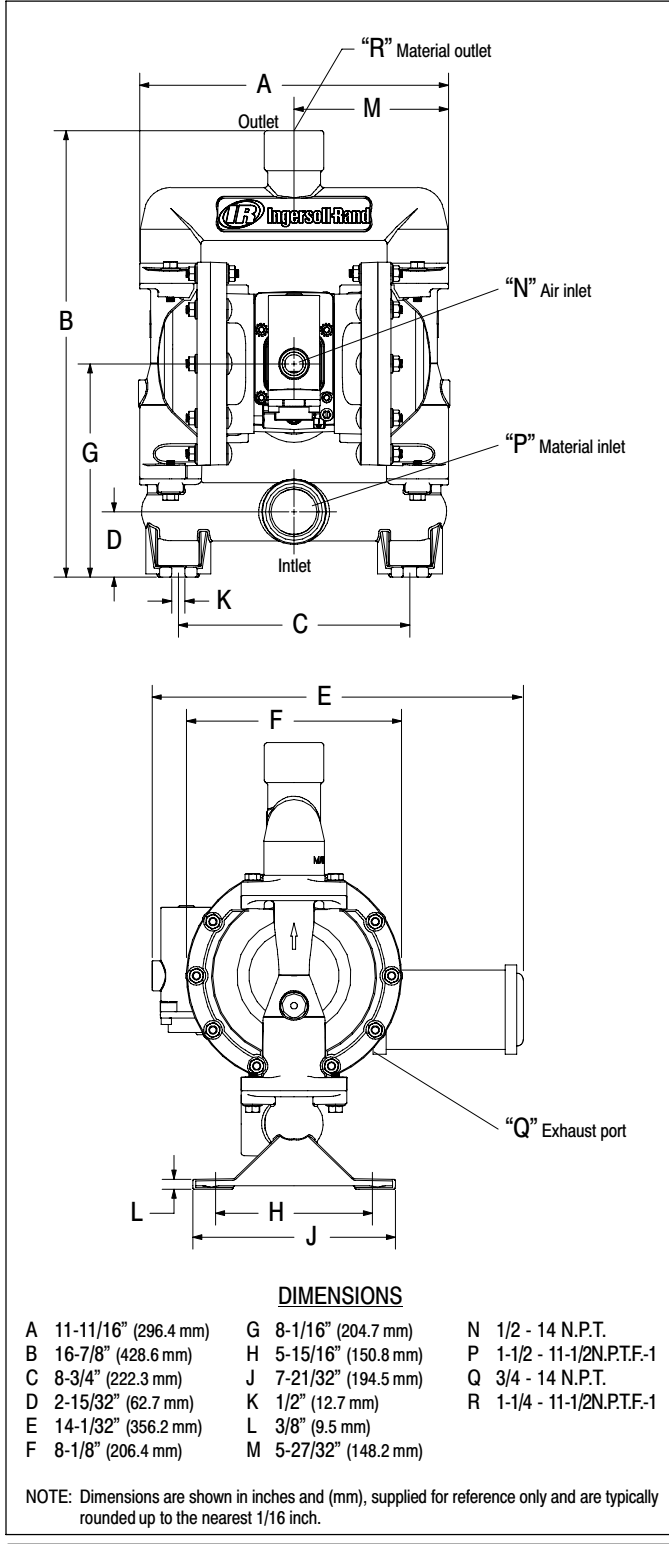
## PW10A-AAX-XXX 1" METALLIC DIAPHRAGM PUMP

RATIO SERIES: **1:1**

FLUID P.S.I. RANGE: **20 - 120**

RELEASED: 2-13-06  
REVISED: 6-10-10  
(REV. 02) S-1308

### DIMENSIONAL DATA



### SPECIFICATIONS

#### CONSTRUCTION

**Model Series** ..... PW10A-AAX-XXX  
**Pump Type** ..... Metallic, Air Operated, Double Diaphragm  
**Ratio** ..... 1:1  
**Material Inlet (female)** ..... 1-1/2 - 11-1/2 N.P.T.F. - 1  
**Material Outlet (female)** ..... 1-1/4 - 11-1/2 N.P.T.F. - 1  
**Air Inlet (female)** ..... 1/2 - 14 N.P.T.  
**Air Exhaust (female)** ..... 3/4 - 14 N.P.T.  
**Weight** ..... 26.2 lbs (11.9 kgs)  
**Air Section Service Kit** ..... 637397  
**Fluid Section Service Kit** ..... 637401-XX

**PW10A-AAX-X**    
**637433 -**    
 Diaphragm Material  
 Ball Material  
 EXAMPLE: Model # PW10A-AAP-AAA  
 Fluid Section Service Kit is 637401-AA

#### PERFORMANCE

**Air Inlet Pressure Range** ..... 20 - 120 p.s.i. (1.4 - 8.3 bar)  
**Maximum Material Inlet Pressure** .. 10 p.s.i. (0.69 bar)  
**Fluid Pressure Range** ..... 20 - 120 p.s.i. (1.4 - 8.3 bar)  
**Maximum Flow Rate** ..... 60.0 g.p.m. (227.1 l.p.m.)  
**Displacement / Cycle @ 100 p.s.i.** . 0.234 gal. (0.89 lit.)  
**Maximum Particle Size** ..... 1/8" dia. (3.3 mm)  
**Maximum Temperature Limits (diaphragm / ball / seal material)**  
 E.P.R. / EPDM ..... -60° to 280° F (-51° to 138° C)  
 Hytrel® ..... -20° to 150° F (-29° to 66° C)  
 Nitrile ..... 10° to 180° F (-12° to 82° C)  
 Santoprene® ..... -40° to 225° F (-40° to 107° C)  
 PTFE ..... 0° to 225° F (4° to 107° C)  
 Viton® ..... -40° to 350° F (-40° to 177° C)  
**Noise Level @ 70 p.s.i. - 60 c.p.m.** . 80.6 db(A)<sup>①</sup>

① The pump sound pressure level has been updated to an Equivalent Continuous Sound Level (L<sub>Aeq</sub>) to meet the intent of ANSI S1. 13-1971, CAGI-PNEUROPS S5.1 using four microphone locations.

#### ACCESSORIES:

66073-2 Air Line Connection Kit

#### Illinois Location:

(847) 841-7867  
 860 Church Rd Elgin, IL 60123

#### Minnesota Location:

(651) 758-7867  
 330 Mill Bay South Suite 1511 Afton, MN 55001

PumpSupplyInc.com



### PERFORMANCE CURVES

#### PW10A-AAX-XXX 1" METALLIC DIAPHRAGM PUMP

