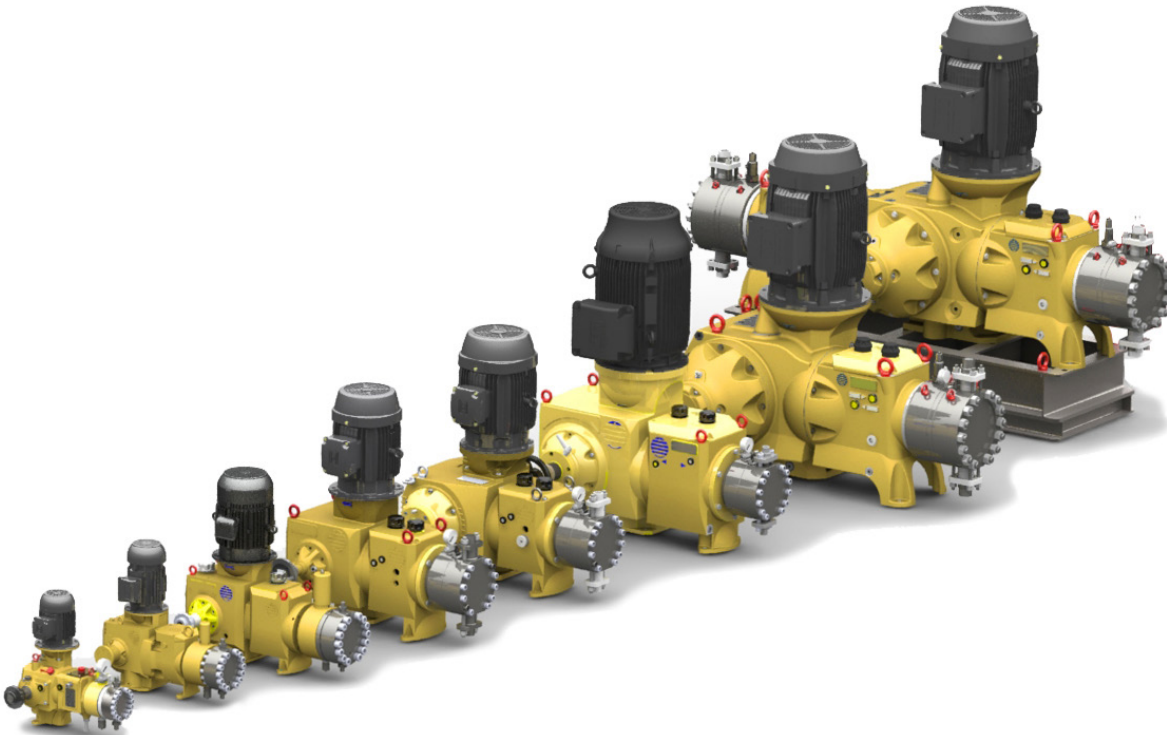




PRIMEROYAL™

Series Metering Pumps



The Power to Perform

PRIMEROYAL™ Series Metering Pumps

A history of reliability

With over 85 years of experience, Milton Roy combines vast industry experience, a proven track record, and a culture of continuous technological improvement to provide customized solutions for pump applications.

Milton Roy delivers the market's most reliable and comprehensive range of metering pumps. Our pumps are engineered to exceed expectations and are backed by a global network of highly trained field engineers and after-sales support that are second-to-none.

Unsurpassed reliability and versatility in critical chemical dosing applications

The outstanding reliability of PRIMEROYAL™ series pumps begins with a robust gear mechanism and a modular design. These highly flexible pumps accept several types of liquid ends and capacity-control options for the specific requirements of your application. With decades of experience and advanced pump-engineering technologies, PRIMEROYAL metering pumps provide continuous operation with the longest possible time between scheduled maintenance.

The combination of robust, field-proven design and flexible modularity makes PRIMEROYAL pumps suitable for a large number of industrial processes. The PRIMEROYAL range provides accurate dosing of a broad spectrum of fluids at flow rates that can reach more than 26,137 gph (98,940 l/h) in the triplex configuration.

(With its versatile, modular design and wide range of options, PRIMEROYAL pumps can be precisely configured for your applications.)

Flexible Design

With its versatile, modular design and wide range of equipment and material options, PRIMEROYAL pumps are an integrated system that can be precisely configured for your applications.

- Seven frame sizes with a wide flow rate and pressure range
- Selection of liquid-end types and capacity-control options
- Multiplexing available in any combination of frame sizes
- Variable or fixed stroke length
- Adjust flow manually or automatically while running or stopped



PRIMEROYAL X Flat Twin with metallic liquid end and PTFE double diaphragm



PLG pump - GSD liquid end











PRIMEROYAL R Triplex Configuration





PRIMEROY™ and PRIMEROYAL™ Range

Selection chart

Liquid End		Packed Plunger				Metallic Diaphragm				PFTE Diaphragm							
		P4 (NX)		P2-P3 (N-UT)		MX (M2)		M1 (M)		H1-H2-H3-H4 (HPD)		H5 (HX)		H6 (Low Flow)		G1-G2 (GSD)	
		Max. Flow l/h (gph)	Max. Pressure bar (psi)	Max. Flow l/h (gph)	Max. Pressure bar (psi)	Max. Flow l/h (gph)	Max. Pressure bar (psi)	Max. Flow l/h (gph)	Max. Pressure bar (psi)	Max. Flow l/h (gph)	Max. Pressure bar (psi)	Max. Flow l/h (gph)	Max. Pressure bar (psi)	Max. Flow l/h (gph)	Max. Pressure bar (psi)	Max. Flow l/h (gph)	Max. Pressure bar (psi)
	PH							93 (24,5)	500 (7,251)	948 (250)	111 (1,609)			41 (10)	250 (3,625)		
	PK	38 (10)	930 (13,488)	2,062 (544)	300 (4,351)			195 (51)	500 (7,251)	330 (87)	151 (2,190)			61 (16)	250 (3,625)		
	PKG															2,500 (660)	37 (536)
	PL	87 (22)	1,000 (14,503)	3,480 (919)	309 (4,481)	66 (17)	1,034 (14,996)	242 (63)	500 (7,251)	4,410 (1,164)	286 (4,148)						
	PLG															(3,300) (871)	45 (652)
	PN	265 (70)	1,000 (14,503)	9,863 (2,605)	244 (3,539)	348 (92)	1,034 (14,996)	230 (60)	500 (7,251)	8,649 (2,284)	300 (4,351)						
	PQ	426 (112)	1,000 (14,503)			489 (129)	1,035 (15,011)			8,657 (2,287)	279 (4,046)	504 (133)	400 (5,801)				
	PR	793 (209)	1,000 (14,503)	15,659 (4,136)	319 (4,626)	778 (205)	1,034 (14,996)			12,549 (3,315)	254 (3,683)	992 (262)	397 (5,758)				
	PX	1,268 (334)	980 (14,213)			2,011 (531)	1,029 (14,924)					16,490 (4,356)	252 (3,654)				
	PX FT	2,536 (669)	980 (14,213)			4,022 (1,062)	1,029 (14,924)					32,980 (8,712)	252 (3,654)				

The values are based on a 50 Hz motor. For a 60 Hz motor, the values increase by approximately 20% so please consult your representative to verify.

General Specifications:

- Flow rate: from 0.05 gph (0.2 l/h) to 8,712 gph (32.98 m³/h) in simplex configuration
- Pressure: up to 15,000 psi (1,034 bar) in standard
- Multiplexable
- Accuracy: ±1%, even for low flow rates and high pressures
- Fluid temperature: from -22°F to 230°F (-30°C to 110°C) as standard/up to 600°F (315°C) on request
- Ambient operating temperature: from -40°F to 122°F (-40°C to + 50°C)
- Stroke adjustment: from 0 to 100% of nominal flow rate
- Explosion-proof version: conforming to ATEX II 2 G Ex h IIC T3 Gb X with Atex motor, upon request
- Standard liquid-end materials include: 316L, PVC, 17-4ph, and Alloy 20

Milton Roy and Our Trusted Partners Can Help To:

- Guide in selecting the turnkey solution that best suits your needs
- Advise on the optimum installation of your equipment
- Propose a wide range of accessories to complete the installation of your pump
- Advise on the essential parts to keep on hand in order to optimize the performance of your equipment
- Provide turnkey solutions from a skid-mounted PumpSupplyInc.com

Applications



Oil and Gas

- **Upstream:** injection of methanol, monoethylene glycol, corrosion inhibitors and many more to prevent hydrate formation, wax and scale deposits, and corrosion in deepwater wells
- **Midstream:** injection of corrosion inhibitors for produced oil and gas integrity during transportation
- **Downstream:** injection of chemicals for separation and treatment of refined products to control the oil viscosity, treatment of produced water (transfer, injection of coagulants)
- **Produced Water Treatment:** injection of sodium hypochlorite, biocides, scale inhibitors, oxygen reducing agent, demulsifier, reverse emulsion breakers, etc.

Refinery

- Injection into boiler feedwater and anti-fouling, transfer of sour water before treatment, injection of catalyst
- Injection of DMDS (dimethyl disulfide), boiler feed water pump, metering of additives
- Injection of chemicals, injection of paraffin inhibitor into fuel storage tanks

Chemical / Petrochemical

- Pumping of hydrocarbons/LP steam condensate, transfer of ammonia water in fertilizer plant, manufacturing of DME (dimethyl ether) from methanol
- Injection of additives and injection of sulphuric acid into water and/or transfer of ammonia water
- ETO charge pump, dosing ENB (Ethylidene Norbornene), injection of additives and reactants, transfer of condensate before treatment
- Dosing catalyst for polymerization of polyethylene and polypropylene

Power Generation

- Metering of biocide, hypochlorite to prevent fouling of the mechanical equipment and pipework
- High-pressure boiler feed water treatment

Mining

- Injection of reactivities to wash extracting ores such as platinum or gold

Municipal Drinking / Wastewater Plants

- Optimal water conditioning to protect equipment by addressing scaling, corrosion and accumulation of microbiological activity.
- Coagulation/flocculation (injection of ferric chloride, aluminum sulphate, etc.) pH control (injection of acids and alkalis), water conditioning before and/or after RO treatment in desalination plant
- Provide safe potable water by effectively disposing of solid material like sludge and sedimentation to dissolving suspended organic materials and disinfecting water by killing disease-causing micro-organisms. Each step requires the efficient use of chemicals and equipment that is reliable and accurate.

Industrial Water Treatment

- Treat for scaling, corrosion and the accumulation of microbiological activity that could diminish the quality and efficiency of the industrial process or damage expensive equipment, if not treated.
- Treat water that enters a plant prior to and after use to allow for reuse or release into the environment.
- Protection of equipment such as boilers and hydraulic systems (corrosion inhibitors, biocides, scale inhibitors, amines, etc.)

General industry

- Treat for scaling, corrosion and the accumulation of microbiological activity that could diminish the quality and efficiency of the process, if not treated
- Treat water that enters a plant prior to and after use to allow for reuse or release into the environment

Food and Beverage

- Cleaning in place
- Injection of enzymes and caustic soda in refining and distilling applications





Features and Benefits

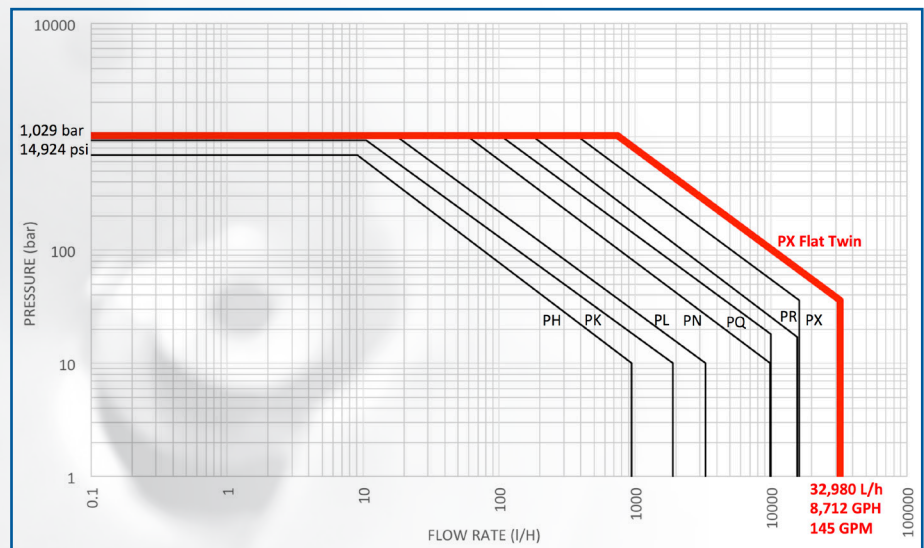
Why PRIMEROYAL™ pumps are your best choice

Reliability and Precise Control

Innovations such as the variable eccentric drive combined with proven experience in metering pump technology to give you the highest reliability in the most critical applications while performing with high repeatable accuracy.

- Built to API 675 standards
- Maximum performance in a small footprint
- Diaphragm liquid ends are guaranteed leakproof with service life in excess of 20,000 hours
- Field-proven operation under low temperatures or offshore applications
- Can pump a wide range of chemicals including acids, bases, corrosive or viscous liquids, and slurries

PRIMEROYAL™ Pumps - Simplex configuration



Durable Variable Eccentric Drive in a Compact Design

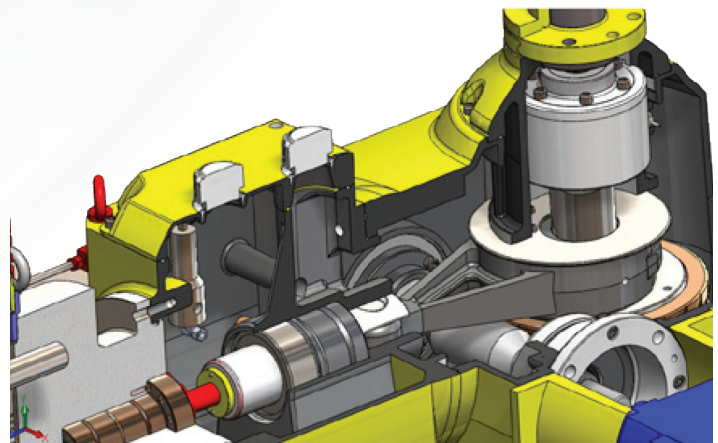
In critical processes, the PRIMEROYAL variable eccentric drive ensures small footprint, durability and optimum performance for the entire chemical dosing system.

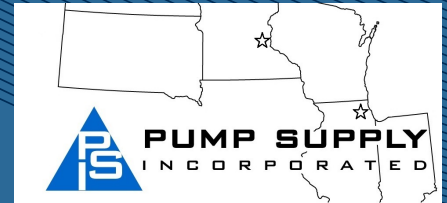
This innovation is a no-lost-motion design compared to designs that have stop plates or rods to limit the plunger travel. Lost-motion designs also rely on spring return mechanisms to keep the plunger in contact with the eccentric.

PRIMEROYAL pumps power the full stroke cycle, which eliminates the mechanical and hydraulic shocks inherent in lost-motion drives.

The PRIMEROYAL variable eccentric drive enables precise control of the pump delivery rate while meeting or exceeding industry standards for steady-state accuracy and repeatability.

PRIMEROYAL pumps achieve this high level of performance in a compact design, for the greatest installation flexibility.





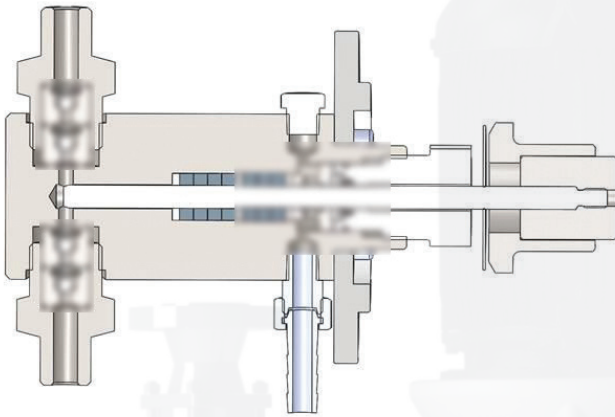
Liquid Ends

Packed Plunger Liquid Ends

Models UT, N, or NX

The packed plunger liquid end offers the best performance when net-positive inlet pressure is an issue. The plunger is in direct contact with the process fluid, to provide the most efficient pumping performance.

- Ideal for viscous fluids and slurries (low NPSH)
- Options available to handle temperatures as high as 600°F (315°C)
- Pressures up to 14,504 psi (1,000 bar)
- Standard plungers provide long plunger life in excess of 20,000 hours
- Model NX provides leakproof operation

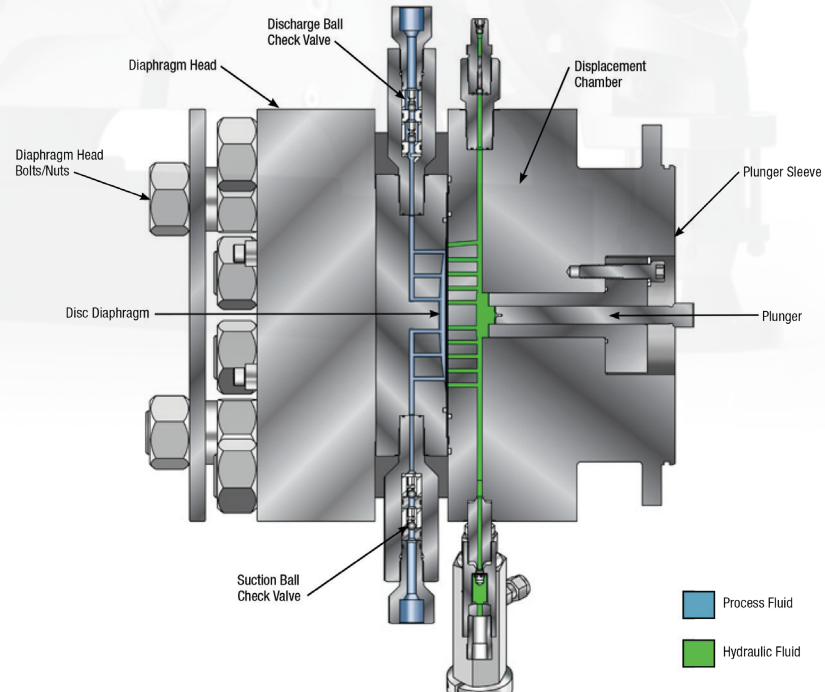


Metallic Double Diaphragm Liquid Ends

Models M or MX

Milton Roy's metallic diaphragm liquid end easily handles the most severe high-pressure, high-flow applications:

- High discharge pressure applications up to 15,000 psi (1,034 bar) in standard and in special up to 20,000 psi (1,379 bar)
- Hydraulically balanced diaphragm minimizes stress
- Standard diaphragm material is 301 or 316L stainless steel. Modified materials are available to suit the process fluid
- MX liquid-end design assures leak free operation
- Dosing of specific products such as radioactive or diffusing liquids
- Internal safety valve: patented, differential pressure valve with integrated air bleed and an adjustable pressure setting
- Assembly designed for service life in excess of 10,000 hours
- Oil compensation valve with adjustable pressure setting





PTFE Double Diaphragm Liquid Ends

Models H, HX, or P

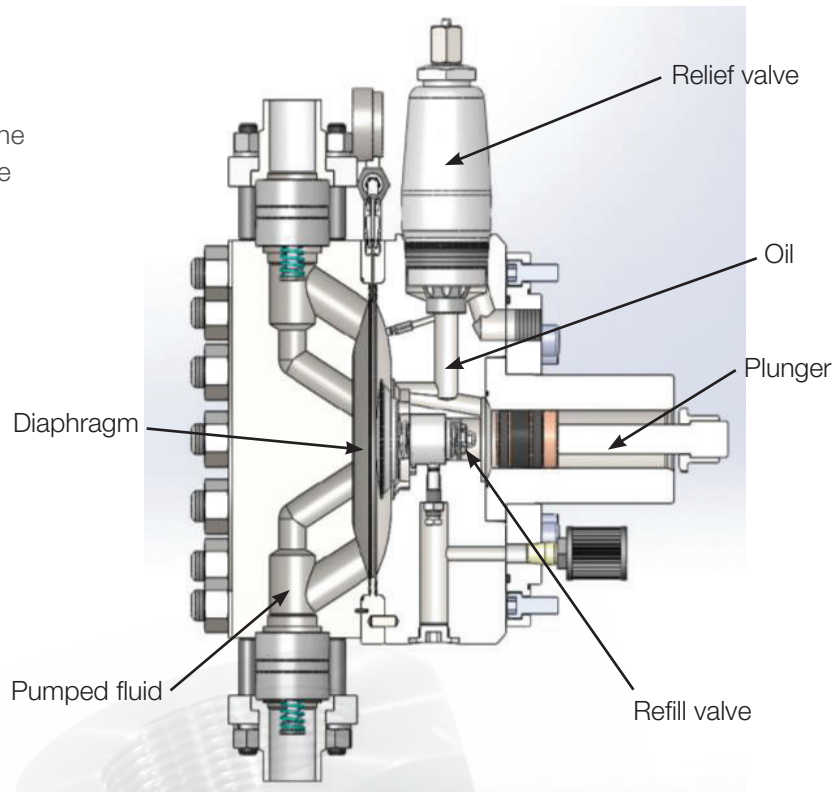
Milton Roy's proven High-Performance Diaphragm (HPD) H1 - H2 - H3 - H4 & H5 (HX) & H6 liquid ends combine the best characteristics of traditional liquid ends with a simple and elegant design.

- Hydraulically balanced diaphragm minimizes stress and assures long diaphragm life
- Diaphragm PTFE wetted surface provides wide chemical compatibility with process fluids while composite materials allow maximum flexibility
- Adjustable internal relief valve in hydraulic system protects pump from overpressure
- Patented MARS hydraulic fluid compensation system eliminates the need for process side diaphragm containment that restricts flow
- 316L stainless steel or PVC version with single or double diaphragm
- Handles pressures up to 5,801 psi (400 bar) without impact on diaphragm life
- Virtually leakproof
- Self-formed PTFE/elastomer compound diaphragm or molded preformed PTFE diaphragm, depending on model
- Patented reusable diaphragm depending on the model. Service life in excess of 20,000 hours

Responsive Support

Our outstanding team of highly competent engineers, technicians and partners can provide world-class service and support. Not only can we assist in selecting the optimal pump to meet your requirements, but we can deliver service through the pump's lifecycle, from installation to after-sales support.

- Asset mapping and health check services
- Project management and packaging services
- Installation and commission of your pump
- Manufacturer's documentation including material certifications, drawings, parts list, etc.
- Testing services such as hydrostatic, vibration, noise, X-ray, etc.
- Spare parts and repair services for preventative and critical maintenance



Design Options


The PRIMEROYAL series offers options to meet the requirements of most applications including, but not limited to:

- Electronic capacity control by actuator
- Variable speed drive control
- Flanged, NPT, and other connections as required
- Specified liquid end materials
- Special base plates
- Diaphragm Rupture Detection system
- Steam or cooling jackets
- Remote head
- High and low temperature configurations
- Low temperature options
- NEMA and IEC flange motor mount options
- Special check valves for all types of fluid (including concentrated sulphuric acid)

About Ingersoll Rand Inc.

Ingersoll Rand Inc. (NYSE:IR), driven by an entrepreneurial spirit and ownership mindset, is dedicated to helping make life better for our employees, customers and communities. Customers lean on us for our technology-driven excellence in mission-critical flow creation and industrial solutions across 40+ respected brands where our products and services excel in the most complex and harsh conditions. Our employees develop customers for life through their daily commitment to expertise, productivity and efficiency. For more information, visit www.IRCO.com.



<p><u>Illinois Location:</u> (847) 841-7867 860 Church Rd Elgin, IL 60120</p>	
<p><u>Minnesota Location:</u> (651) 758-7867 330 Mill Bay South Suite Afton, MN 55001</p>	
<p>PumpSupplyInc.com</p>	

Pictures are for illustration purposes only. We reserve the right to modify the characteristics of our products without prior notice.



An Ingersoll Rand Business