

SALES & ENGINEERING DATA

RATIO SERIES: 1:1

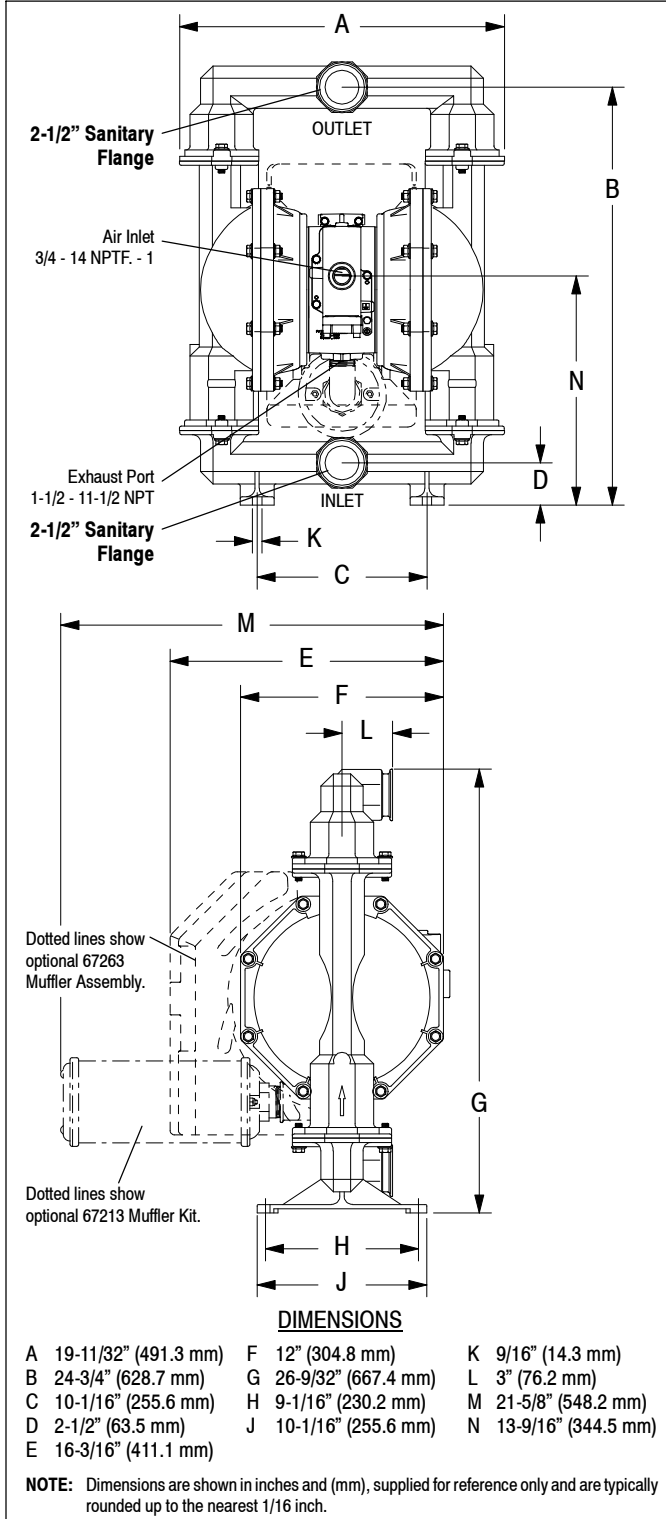
FLUID P.S.I. RANGE: 20 - 120

PM20A-CSS-XXX-B02 and PM20S-CSS-XXX-B02

2" METALLIC DIAPHRAGM PUMP

RELEASED: 2-8-05
 REVISED: 5-1-15
 (REV. E) S-1344

DIMENSIONAL DATA



SPECIFICATIONS

CONSTRUCTION

Model Series	PM20A-CSS-XXX-B02
.....	PM20S-CSS-XXX-B02
Pump Type	Metallic, Air Operated, Double Diaphragm
Ratio	1:1
Material Inlet / Outlet	2-1/2" Sanitary Flange
Air Inlet (female)	3/4 - 14 NPTF - 1
Air Exhaust (female)	1-1/2 - 11-1/2 NPT
Weight . PM20A-CSS-XXX-B02	142.8 lbs (64.8 kgs)
PM20S-CSS-XXX-B02	171.7 lbs (77.9 kgs)
Air Section Service Kit	637421
Fluid Section Service Kit	637309-XX

PM20X-CSS-XX-XX-B02
637309 - XX

Diaphragm Material
 Ball Material

EXAMPLE: Model #PM20S-CSS-SAA-B02
 Fluid Section Service Kit is 637309-AA

PERFORMANCE

Air Inlet Pressure Range	20 - 120 psig (1.4 - 8.3 bar)
Maximum Material Inlet Pressure ...	10 psig (0.69 bar)
Fluid Outlet Pressure Range	20 - 120 psig (1.4 - 8.3 bar)
Maximum Flow Rate	172 gpm (651 lpm)
Maximum Particle Size	1/4" dia. (6.4 mm)
Maximum Temperature Limits (diaphragm / ball / seal material)	
E.P.R.	-60° to 280° F (-51° to 138° C)
Santoprene	-40° to 225° F (-40° to 107° C)
PTFE	40° to 225° F (4° to 107° C)
Displacement / Cycle @ 100 psig ...	1.4 gal. (5.3 liters)
Noise Level @ 70 psig - 60 cpm. ① ..	85.0 dB(A)②

Notes:

- ① Tested with 67263 muffer assembly installed.
- ② The pump sound pressure level has been updated to an Equivalent Continuous Sound Level (LA_{eq}) to meet the intent of ANSI S1.13-1971, CAGI-PNEUROP S5.1 using four microphone locations.

ACCESSORIES:

- 66312 Air line Connection Kit
- 67213 Muffer Kit
- 67263 Continuous Muffer
- 94117 Int. Muffer



Illinois Location:

(847) 841-7867

860 Church Rd Elgin, IL 60123

Minnesota Location:

(651) 758-7867

330 Mill Bay South Suite 1511 Afton, MN 55001



PERFORMANCE CURVES

PM20A-CSS-XXX-B02 / PM20S-CSS-XXX-B02 2" METALLIC DIAPHRAGM PUMP

