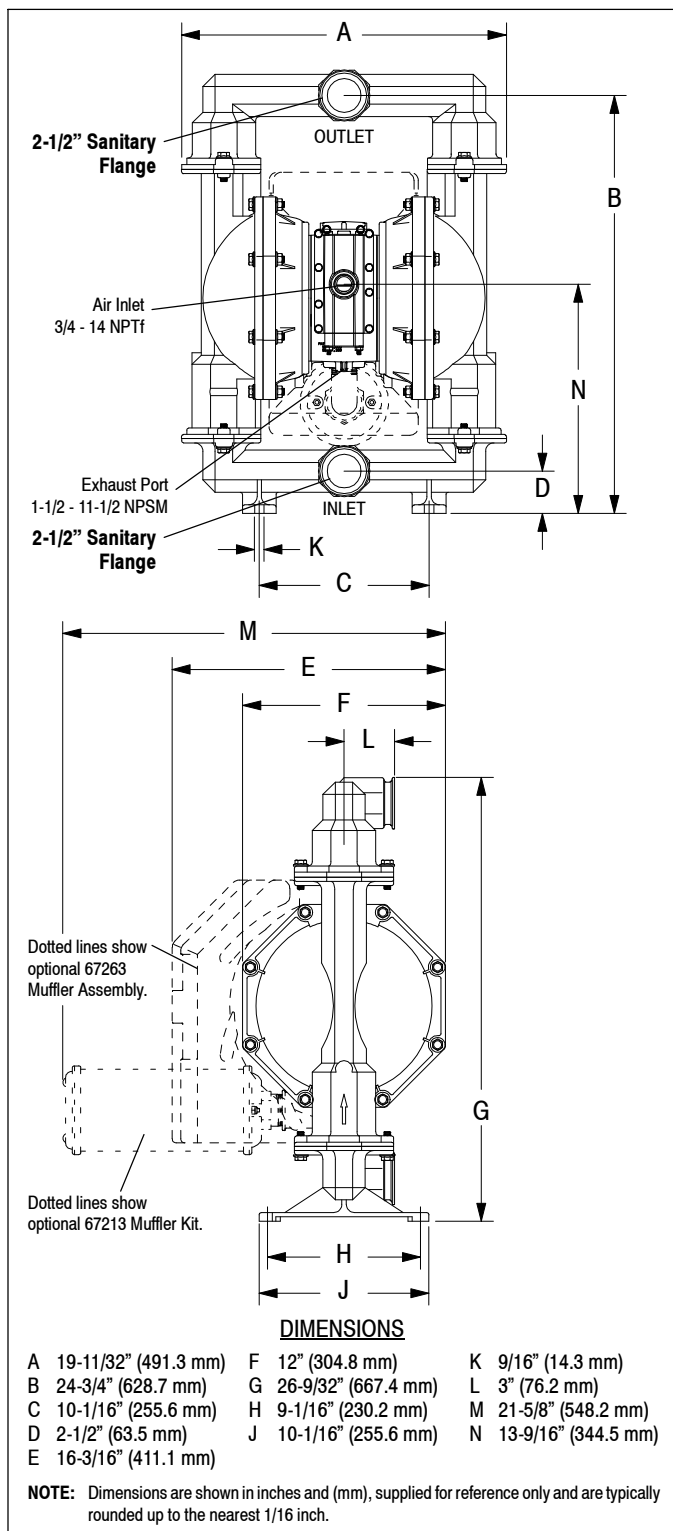


SALES & ENGINEERING DATA

RATIO SERIES:	1:1
FLUID PSIG RANGE:	20 - 120
RELEASED:	2-8-05
REVISED:	5-1-15
(REV. F)	S-1345

PM20R-CSS-XXX-B02 2" METALLIC DIAPHRAGM PUMP

DIMENSIONAL DATA



SPECIFICATIONS

CONSTRUCTION

Model Series	PM20R-CSS-XXX-B02
Pump Type	Metallic, Air Operated, Double Diaphragm
Ratio	1:1
Material Inlet / Outlet	2-1/2" Sanitary Flange
Air Inlet (female)	3/4 - 14 NPTF
Air Exhaust (female)	1-1/2 - 11-1/2 NPSM
Weight	157.4 lbs (71.4 kgs)
Air Section Service Kit	637369
Fluid Section Service Kit	637309-XX

PM20R-CSS-X [X] [X] -B02
637309 - [X] [X]
 Diaphragm Material
 Ball Material

EXAMPLE: Model # PD20R-CSS-SAA-B02
 Fluid Section Service Kit is 637309-AA

PERFORMANCE

Air Inlet Pressure Range	20 - 120 psig (1.4 - 8.3 bar)
Maximum Material Inlet Pressure	10 psig (0.69 bar)
Fluid Pressure Range	20 - 120 psig (1.4 - 8.3 bar)
Maximum Flow Rate	172 gpm (651 lpm)
Displacement / Cycle @ 100 psig	1.4 gal. (5.3 lit.)
Maximum Particle Size	1/4" dia. (6.4 mm)
Maximum Temperature Limits (diaphragm / ball / seal material)	
E.P.R. / EPDM	-60° to 280° F (-51° to 138° C)
Nitrile	10° to 180° F (-12° to 82° C)
Polypropylene	35° to 175° F (2° to 79° C)
Santoprene	-40° to 225° F (-40° to 107° C)
PTFE	40° to 225° F (4° to 107° C)
Noise Level @ 70 psig - 60 cpm	85.0 dB(A)②

- ① Tested with 67263 muffer assembly installed.
- ② The pump sound pressure level has been updated to an Equivalent Continuous Sound Level (LA_{eq}) to meet the intent of ANSI S1.13-1971, CAGI-PNEUROPS 5.1 using four microphone locations.

ACCESSORIES:

- 66312 Air Line Connection Kit
- 67213 Muffer Kit
- 67263 Continuous Muffer
- 94117 Int. Muffer



Illinois Location:

(847) 841-7867
 860 Church Rd Elgin, IL 60123

Minnesota Location:

(651) 758-7867
 330 Mill Bay South Suite 1511 Afton, MN 55001

PumpSupplyInc.com



PERFORMANCE CURVES

PM20R-CSS-XXX-B02 2" METALLIC DIAPHRAGM PUMP

