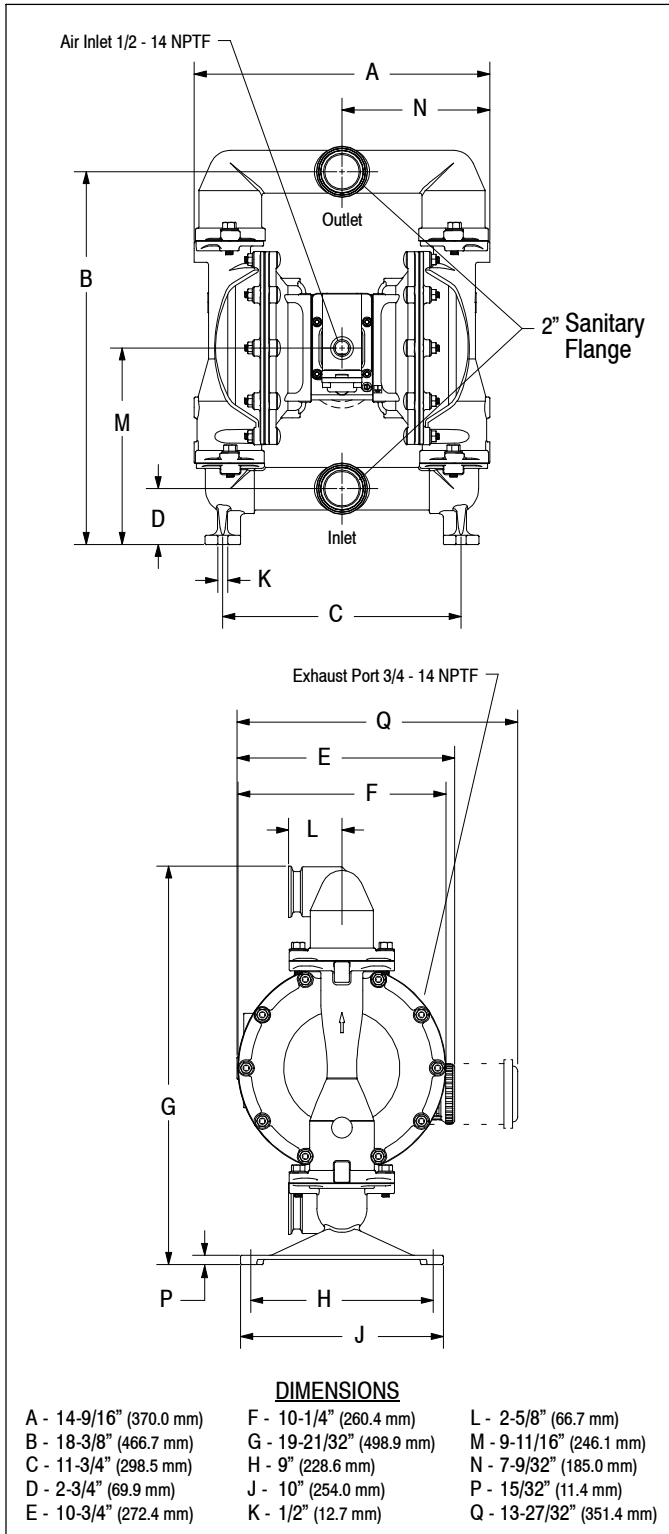


# SALES & ENGINEERING DATA

## PM15X-CSS-XXX-A02 1-1/2" METALLIC DIAPHRAGM PUMP

<b>RATIO SERIES:</b>	<b>1:1</b>
<b>FLUID PSIG RANGE:</b>	<b>20 - 120</b>
<b>RELEASED:</b>	1-7-04
<b>REVISED:</b>	5-1-15
<b>(REV. H)</b>	S-1287

### DIMENSIONAL DATA



### SPECIFICATIONS

#### CONSTRUCTION

<b>Model Series</b> .....	PM15X-CSS-XXX-A02
<b>Pump Type</b> .....	Metallic, Air Operated, Double Diaphragm
<b>Ratio</b> .....	1:1
<b>Material Inlet / Outlet</b> .....	2" Sanitary Flange
<b>Air Inlet (female)</b> .....	1/2 - 14 NPTF
<b>Air Exhaust (female)</b> .....	3/4 - 14 NPTF
<b>Weight</b> ..	PM15A-CSS-XXX-A02 ... 62.40 lbs (28.30 kgs)
	PM15R-CSS-XXX-A02 ... 60.26 lbs (27.33 kgs)
	PM15S-CSS-XXX-A02 ... 78.40 lbs (35.56 kgs)
<b>Air Section Service Kit</b> .....	637389
<b>Major Air Valve Assembly Kit</b> .....	637390-X
<b>Fluid Section Service Kit</b> .....	637375-XX

**PM15X-CSS-X [X] [X] -A02**  
**637375 - [X] [X]**  
 Diaphragm Material  
 Ball Material

EXAMPLE: Model # PM15S-CSS-SAA-A02  
 Fluid Section Service Kit is 637375-AA

#### PERFORMANCE

<b>Air Inlet Pressure Range</b> .....	20 - 120 psig (1.4 - 8.3 bar)
<b>Maximum Material Inlet Pressure</b> ..	10 psig (0.69 bar)
<b>Fluid Pressure Range</b> .....	20 - 120 psig (1.4 - 8.3 bar)
<b>Maximum Flow Rate (flooded inlet)</b> ...	123 gpm (465.6 lpm)
<b>Displacement / Cycle @ 100 psig</b> ..	0.617 gal. (2.34 lit.)
<b>Maximum Particle Size</b> .....	1/4" dia. (6.4 mm)
<b>Maximum Temperature Limits (diaphragm / ball / seal material)</b>	
E.P.R. / EPDM .....	-60° to 280° F (-51° to 138° C)
Polypropylene .....	35° to 175° F (2° to 79° C)
Santoprene .....	-40° to 225° F (-40° to 107° C)
PTFE .....	40° to 225° F (4° to 107° C)
<b>Noise Level @ 70 psig - 60 cpm</b> ...	85.0 dB(A)①

① The pump sound pressure level has been updated to an Equivalent Continuous Sound Level (LA<sub>eq</sub>) to meet the intent of ANSI S1.13-1971, CAGI-PNEUROPS5.1 using four microphone locations.



#### Illinois Location:

(847) 841-7867  
 860 Church Rd Elgin, IL 60123

#### Minnesota Location:

(651) 758-7867  
 330 Mill Bay South Suite 1511 Afton, MN 55001

PumpSupplyInc.com



### PERFORMANCE CURVES

#### PM15X-CSS-XXX-A02 1-1/2" METALLIC DIAPHRAGM PUMP

