

SALES & ENGINEERING DATA

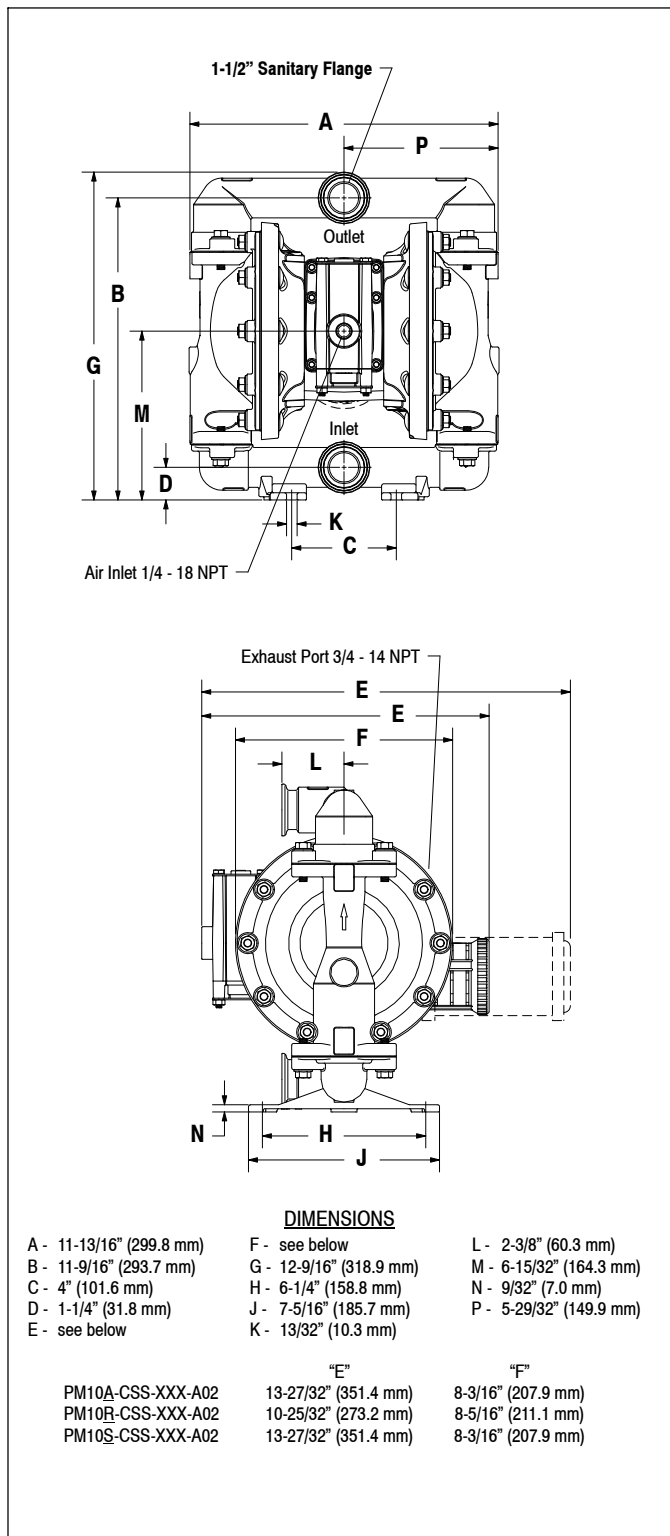
PM10X-CSS-XXX-A02 1" METALLIC DIAPHRAGM PUMP

RATIO SERIES: **1:1**

FLUID P.S.I. RANGE: **20 - 120**

RELEASED: 2-28-05
REVISED: 5-1-15
(REV. G) S-1307

DIMENSIONAL DATA



SPECIFICATIONS

CONSTRUCTION

Model Series	PM10X-CSS-XXX-A02
Pump Type	Metallic, Air Operated, Double Diaphragm
Ratio	1:1
Material Inlet / Outlet	1-1/2" Sanitary Flange
Air Inlet (female)	1/4 - 18 NPT
Air Exhaust (female)	3/4 - 14 NPT.
Weight	PM10A-CSS-XXX-A02 ... 44.84 lbs (20.3 kgs) PM10R-CSS-XXX-A02 ... 38.2 lbs (17.3 kgs) PM10S-CSS-XXX-A02 ... 51.64 lbs (23.4 kgs)
Air Section Service Kit	637397
Major Air Valve Assembly	
PM10A-CSS-XXX-A02	637395-3
PM10R-CSS-XXX-A02	637395-1
PM10S-CSS-XXX-A02	637395-5
Fluid Section Service Kit	637401-XX

PM10X-CSS-X [X][X] -A02
637401 - [X][X]
 Diaphragm Material
 Ball Material

EXAMPLE: Model # PM10A-CSS-AAA-A02
 Fluid Section Service Kit is 637401-AA

PERFORMANCE

Air Inlet Pressure Range	20 - 120 psig (1.4 - 8.3 bar)
Maximum Material Inlet Pressure	10 psig (0.69 bar)
Fluid Pressure Range	20 - 120 psig (1.4 - 8.3 bar)
Maximum Flow Rate (flooded inlet)	52.2 gpm (197.6 lpm)
Displacement / Cycle @ 100 psig	0.232 gal. (0.88 lit.)
Maximum Particle Size	1/8" dia. (3.3 mm)
Maximum Temperature Limits (diaphragm / ball / seal material)	
E.P.R. / EPDM	-60° to 280° F (-51° to 138° C)
Polypropylene	35° to 175° F (2° to 79° C)
Santoprene	-40° to 225° F (-40° to 107° C)
PTFE	40° to 225° F (4° to 107° C)
Noise Level @ 70 psig - 60 cpm	80.6 dBA ^①

① The pump sound pressure level has been updated to an Equivalent Continuous Sound Level (LA_{eq}) to meet the intent of ANSI S1.13-1971, CAGI-PNEUROP S5.1 using four microphone locations.



Illinois Location:

(847) 841-7867
 860 Church Rd Elgin, IL 60123

Minnesota Location:

(651) 758-7867
 330 Mill Bay South Suite 1511 Afton, MN 55001

PumpSupplyInc.com



PERFORMANCE CURVES

PM10X-CSS-XXX-A02 1" METALLIC DIAPHRAGM PUMP

