

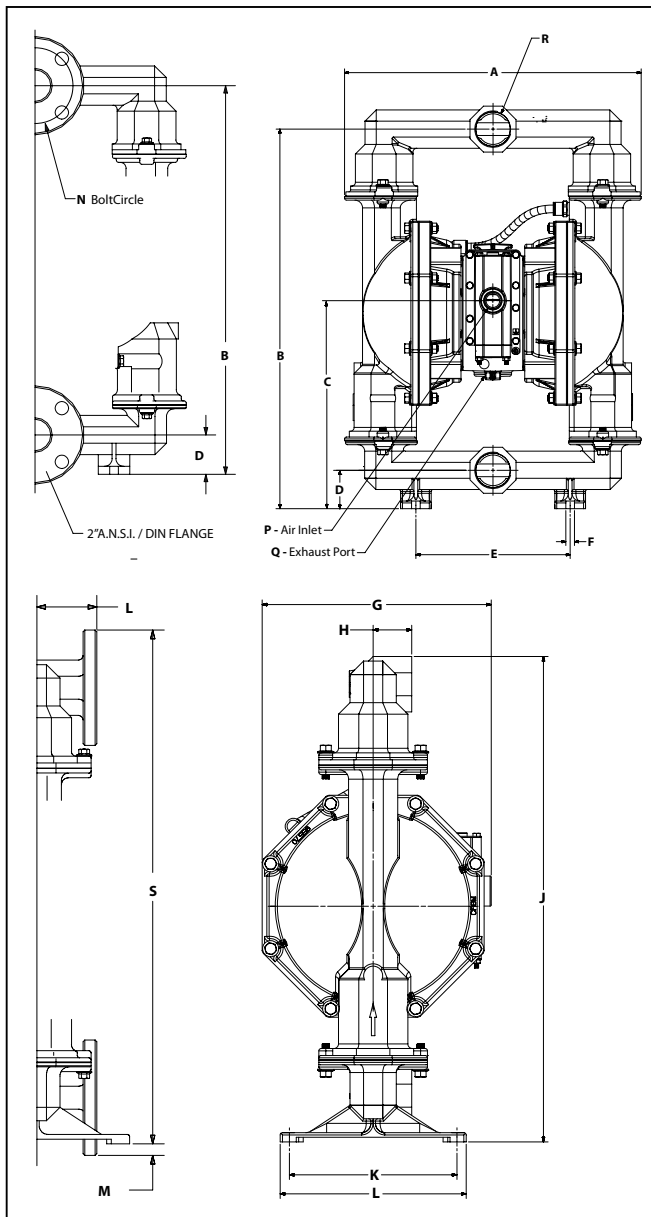
SALES & ENGINEERING DATA

RATIO SERIES:	2:1
FLUID P.S.I. RANGE:	10 - 200

PH20F-XXX-XXX-X 2" Metallic Diaphragm Pump

RELEASED: 12-14-12
(REV. A) S-1526

DIMENSIONAL DATA



DIMENSIONS

A - 19.341" (491.3 mm)	E - 10.062" (255.6 mm)
B - 24.75" (628.7 mm)	F - 4 x (.562) slot (14.3 mm)
C - 15.473" (393 mm)	G - 12.000" (304.8 mm)
D - 2.500" (63.5 mm)	H - 2 x (2.088)
J - 22.250" (565.2 mm)	P - 3/4 - 14 NPTF-1
K - 9.062" (230.2 mm)	Q - 1-1/2 - 11-1/2 N.P.T
L - 10.062" (255.6 mm)	S - 27.875" (708.025 mm)
M - 0.600" (15.9 mm)	

NOTE: Dimensions are shown in inches and (mm) and are supplied for reference only.

"R" Inlet / Outlet

PH20F- <u>ASX</u> -SXX-BXXX	2-11 1/2 NPTF- 1
PH20F- <u>BSX</u> -SXX-BXXX	Rp 2 (2 - 11 BSP parallel)

SPECIFICATIONS

Model Series	PH20F-XXX-XXX-X
Pump Type	Metallic, air operated, double diaphragm pump
Ratio	2:1
Material Inlet / Outlet (female)	
PH20F- <u>ASX</u> -SXX-BXXX	2 - 11-1/2 NPTF - 1
PH20F- <u>BSX</u> -SXX-BXXX	Rp 2 (2 - 11 BSP parallel)
PH20F- <u>FSX</u> -SXX-BXXX	2" ANSI / DIN Flange
Air Inlet (female)	3/4 - 14 NPTF -1
Air Exhaust (female)	1-1/2 - 11-1/2 N.P.T.
Weight	146 lbs (66.2 kgs)
Air Section Service Kit	637369
Fluid Section Service Kit	637446-XX

PH20F - ASP-S-X-X

637446 -X

Diaphragm Material
Ball Material

EXAMPLE: Model ##PH20F-ASP-SAA-X
Fluid Section Service Kit # 637446-XX

PERFORMANCE

Air Inlet Pressure Range	10 - 100 p.s.i.g. (0.69 - 8.3 bar)
Maximum Material Inlet Pressure ...	10 p.s.i.g. (0.69 bar)
Fluid Pressure Range	20 - 200 p.s.i.g. (1.38 - 13.8 bar)
Maximum Flow Rate (flooded inlet) ...	92 g.p.m. (418.2 l.p.m.)
Displacement / Cycle @ 100 p.s.i.	1.28 gal. (4.8 lit.)
Maximum Particle Size	1/4" dia. (6.4 mm)
Maximum Temperature Limits (diaphragm / ball / seal / seat material)	
E.P.R. / EPDM	-60° to 280° F (-51° to 138° C)
Hytre [®]	-20° to 150° F (-29° to 66° C)
Polypropylene	35° to 175° F (2° to 79° C)
Santoprene [®]	-40° to 225° F (-40° to 107° C)
PTFE	40° to 225° F (4° to 107° C)
Viton [®]	-40° to 350° F (-40° to 177° C)
Noise Level @ 70 p.s.i. - 53 c.p.m. ① ...	77.0 db(A)②

① Tested with 67263 muffler assembly installed.

② The pump sound pressure level has been updated to an Equivalent Continuous Sound Level (L_{Aeq}) to meet the intent of ANSI S1.13-1971, CAGI-PNEUROPS S5.1 using four microphone locations.



PERFORMANCE CURVES

