

# OPERATOR'S MANUAL

# PH15X-XXX-XXX-X

INCLUDING: OPERATION, INSTALLATION AND MAINTENANCE

RELEASED: 12-14-12  
 REVISED: 3-8-19  
 (REV: E)

## 1.5" DIAPHRAGM PUMP 2:1 RATIO (METALLIC)



**READ THIS MANUAL CAREFULLY BEFORE INSTALLING, OPERATING OR SERVICING THIS EQUIPMENT.**

It is the responsibility of the employer to place this information in the hands of the operator. Keep for future reference.

### SERVICE KITS

Refer to Model Description Chart to match the pump material options.

**637445-XX** for Fluid section repair (see page 4).

**NOTE:** This kit also contains several air motor seals which will need to be replaced.

**637389** for Air Motor Service Kit (see page 6).

**637390-7** for Major Air Valve Kit (see page 7).

### PUMP DATA

**Models**..... see Model Description Chart for "-XXX"

**Pump Type**..... Metallic Air Operated Double Diaphragm

**Material**..... see Model Description Chart

**Weight**..... 88 lbs (39.9 kgs)

**Maximum Air Inlet Pressure** ..... 100 psig (6.9 bar)

**Maximum Material Inlet Pressure**.. 10 psig (0.69 bar)

**Maximum Outlet Pressure** ..... 200 psig (13.8 bar)

**Maximum Flow Rate** ..... 63 gpm (238.5 pm)

**Displacement / Cycle @ 100 psig**... 0.88 gal. (3.33 lit.)

**Maximum Particle Size** ..... 1/4" dia. (6.4 mm)

**Maximum Temperature Limits (diaphragm / ball / seal material)**

E.P.R. / EPDM..... -60° to 280° F (-51° to 138° C)

Hytrel® ..... -20° to 180° F (-29° to 82° C)

Polypropylene ..... 32° to 175° F (0° to 79° C)

Santoprene®..... -40° to 225° F (-40° to 107° C)

PTFE..... 40° to 225° F (4° to 107° C)

Viton® ..... -40° to 350° F (-40° to 177° C)

**Dimensional Data**..... see page 8

**Noise Level @ 70 psig, 54 cpm<sup>①</sup>** .... 75.6 dB(A)<sup>②</sup>

① Tested with 350-568 muffler assembly installed.

② The pump sound pressure levels published here have been updated to an Equivalent Continuous Sound Level (LA<sub>eq</sub>) to meet the intent of ANSI S1.13-1971, CAGI-PNEUROP S5.1 using four microphone locations.

**NOTICE:** All possible options are shown in the chart, however, certain combinations may not be recommended, consult a representative or the factory if you have questions concerning availability.

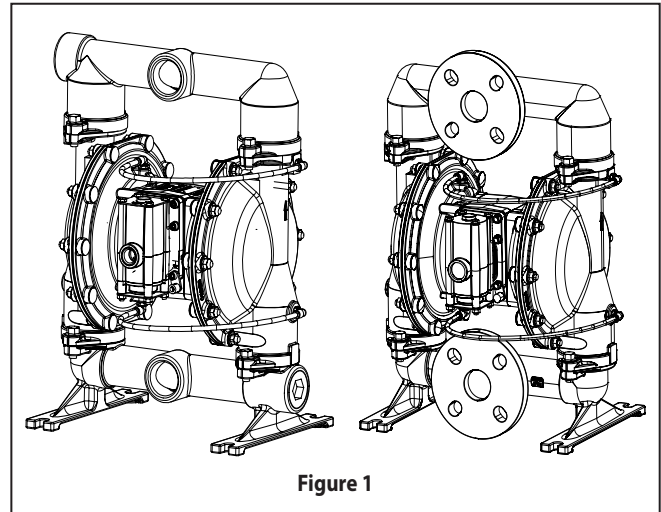


Figure 1

### MODEL DESCRIPTION CHART

PH15X - XSP - SXX - X	
<b>Pump Size</b> 15 - 1.5"	
<b>Air Motor / Air Cap Material</b> A - Aluminium F - Conductive Polypropylene S - Stainless Steel	
<b>Fluid Connection</b> A - 1 1/2 NPTF B - 1 1/2 BSP parallel F - 1 1/2 ANSI / DIN Flange	
<b>Fluid Cap and Manifold Material</b> S - Stainless Steel	
<b>Hardware Material</b> P - Plated Steel	
<b>Seat Material</b> S - Stainless Steel	
<b>Ball Material</b> A - Santoprene      T - PTFE C - Hytrel            V - Viton	
<b>Diaphragm Material</b> A - Santoprene      C - Hytrel L - Long Life PTFE    T - PTFE / Santoprene	
<b>Fluid Section Service Kit Selection</b>	PH15X - XXX - X XX - X
EXAMPLE: Model #PH15X-ASP-SAA-C Fluid Section Service Kit # 637445-XX	637445 - <input checked="" type="checkbox"/> <input checked="" type="checkbox"/> Ball <input type="checkbox"/> Diaphragm



## OPERATING AND SAFETY PRECAUTIONS

READ, UNDERSTAND AND FOLLOW THIS INFORMATION TO AVOID INJURY AND PROPERTY DAMAGE.



**⚠ WARNING** EXCESSIVE AIR PRESSURE. Can cause personal injury, pump damage or property damage.

- Do not exceed the maximum inlet air pressure as stated on the pump model plate.
- Be sure material hoses and other components are able to withstand fluid pressures developed by this pump. Check all hoses for damage or wear. Be certain dispensing device is clean and in proper working condition.

**⚠ WARNING** STATIC SPARK. Can cause explosion resulting in severe injury or death. Ground pump and pumping system.

- Use the pump grounding screw terminal provided. Use ARO® part no. 66885-1 ground kit or connect a suitable ground wire (12 ga. min.) to a good earth ground source.
- The pumping system and object being sprayed must be grounded when it is pumping, flushing, recirculating or spraying flammable materials such as paints, solvents, lacquers, etc. or used in a location where surrounding atmosphere is conducive to spontaneous combustion. Ground the dispensing valve or device, containers, hoses and any object to which material is being pumped.
- Secure pump, connections and all contact points to avoid vibration and generation of contact or static spark.
- Consult local building codes and electrical codes for specific grounding requirements.
- After grounding, periodically verify continuity of electrical path to ground. Test with an ohmmeter from each component (e.g., hoses, pump, clamps, container, spray gun, etc.) to ground to ensure continuity. Ohmmeter should show 0.1 ohms or less.
- Submerge the outlet hose end, dispensing valve or device in the material being dispensed if possible. (Avoid free streaming of material being dispensed.)
- Use hoses incorporating a static wire.
- Use proper ventilation.
- Keep inflammables away from heat, open flames and sparks.
- Keep containers closed when not in use.

**⚠ WARNING** Pump exhaust may contain contaminants. Can cause severe injury. Pipe exhaust away from work area and personnel.

- In the event of a diaphragm rupture, material can be forced out of the air exhaust muffler.
- Pipe the exhaust to a safe remote location when pumping hazardous or inflammable materials.
- Use a grounded 1" minimum ID hose between the pump and the muffler.

**⚠ WARNING** HAZARDOUS PRESSURE. Can result in serious injury or property damage. Do not service or clean pump, hoses or dispensing valve while the system is pressurized.

- Disconnect air supply line and relieve pressure from the system by opening dispensing valve or device and / or carefully and slowly loosening and removing outlet hose or piping from pump.

**⚠ WARNING** HAZARDOUS MATERIALS. Can cause serious injury or property damage. Do not attempt to return a pump to the factory or service center that contains

hazardous material. Safe handling practices must comply with local and national laws and safety code requirements.

- Obtain Material Safety Data Sheets on all materials from the supplier for proper handling instructions.

**⚠ WARNING** EXPLOSION HAZARD. Models containing aluminum parts cannot be used with 1,1,1-trichloroethane, methylene chloride or other halogenated hydrocarbon solvents which may react and explode.

- Check pump motor section, fluid caps, manifolds and all wetted parts to assure compatibility before using with solvents of this type.

**⚠ WARNING** MISAPPLICATION HAZARD. Do not use models containing aluminum wetted parts with food products for human consumption. Plated parts can contain trace amounts of lead.

**⚠ CAUTION** Verify the chemical compatibility of the pump wetted parts and the substance being pumped, flushed or recirculated. Chemical compatibility may change with temperature and concentration of the chemical(s) within the substances being pumped, flushed or circulated. For specific fluid compatibility, consult the chemical manufacturer.

**⚠ CAUTION** Maximum temperatures are based on mechanical stress only. Certain chemicals will significantly reduce maximum safe operating temperature. Consult the chemical manufacturer for chemical compatibility and temperature limits. Refer to PUMP DATA on page 1 of this manual.

**⚠ CAUTION** Be certain all operators of this equipment have been trained for safe working practices, understand it's limitations, and wear safety goggles / equipment when required.

**⚠ CAUTION** Do not use the pump for the structural support of the piping system. Be certain the system components are properly supported to prevent stress on the pump parts. Suction and discharge connections should be flexible connections (such as hose), not rigid piped, and should be compatible with the substance being pumped.

**⚠ CAUTION** Prevent unnecessary damage to the pump. Do not allow pump to operate when out of material for long periods of time.

- Disconnect air line from pump when system sits idle for long periods of time.

**⚠ CAUTION** Use only genuine ARO replacement parts to assure compatible pressure rating and longest service life.

**NOTICE** Replacement warning labels are available upon request: "Static Spark & Diaphragm Rupture" pn \ 94080.

**⚠ WARNING** = Hazards or unsafe practices which could result in severe personal injury, death or substantial property damage.

**⚠ CAUTION** = Hazards or unsafe practices which could result in minor personal injury, product or property damage.

**NOTICE** = Important installation, operation or maintenance information.

PH15X-XXX-XXX-X (en)

## GENERAL DESCRIPTION

The ARO diaphragm pump offers high volume delivery even at low air pressure and a broad range of material compatibility options available.

Refer to the model and option chart. ARO pumps feature stall resistant design, modular air motor / fluid sections.

Air operated double diaphragm pumps utilize a pressure differential in the air chambers to alternately create suction and positive fluid pressure in the fluid chambers, ball checks ensure a positive flow of fluid.

Pump cycling will begin as air pressure is applied and it will continue to pump and keep up with the demand. It will build and maintain line pressure and will stop cycling once maximum line pressure is reached (dispensing device closed) and will resume pumping as needed.

## AIR AND LUBE REQUIREMENTS

**⚠ WARNING EXCESSIVE AIR PRESSURE. Can cause pump damage, personal injury or property damage.**

- A filter capable of filtering out particles larger than 50 microns should be used on the air supply. There is no lubrication required other than the "O" ring lubricant which is applied during assembly or repair.
- If lubricated air is present, make sure that it is compatible with the "O" rings and seals in the air motor section of the pump.

## INSTALLATION

- Verify correct model / configuration prior to installation.
- Retorque all external fasteners per specifications prior to start up.
- Pumps are tested in water at assembly. Flush pump with compatible fluid prior to installation.
- When the diaphragm pump is used in a forced-feed (flooded inlet) situation, it is recommended that a "Check Valve" be installed at the air inlet.
- Material supply tubing should be at least the same diameter as the pump inlet manifold connection.
- Material supply hose must be reinforced, non-collapsible type compatible with the material being pumped.
- Piping must be adequately supported. Do not use the pump to support the piping.
- Use flexible connections (such as hose) at the suction and discharge. These connections should not be rigid piped and must be compatible with the material being pumped.
- Secure the diaphragm pump legs to a suitable surface (level and flat) to ensure against damage by vibration.
- Pumps that need to be submersed must have both wet and non-wet components compatible with the material being pumped.
- Submersed pumps must have exhaust pipe above liquid level. Exhaust hose must be conductive and grounded.
- Flooded suction inlet pressure must not exceed 10 psig (0.69 bar).

## OPERATING INSTRUCTIONS

The outlet material volume is governed not only by the air supply, but also by the material supply available at the inlet. The material supply tubing should not be too small or restrictive.

Be sure not to use hose which might collapse..

- Always flush the pump with a solvent compatible with the material being pumped if the material being pumped is subject to "setting up" when not in use for a period of time.
- Disconnect the air supply from the pump if it is to be inactive for a few hours.

## PARTS AND SERVICE KITS

Refer to the part views and descriptions as provided on page 4 through 7 for parts identification and Service Kit information.

- Certain ARO "Smart Parts" are indicated which should be available for fast repair and reduction of down time.
- Service kits are divided to service two separate diaphragm pump functions: 1. AIRSECTION, 2. FLUIDSECTION. The FLUID SECTION is divided further to match typical part MATERIAL OPTIONS.

## MAINTENANCE

- Provide a clean work surface to protect sensitive internal moving parts from contamination from dirt and foreign matter during service disassembly and reassembly.
- Keep good records of service activity and include pump in preventive maintenance program.
- Before disassembling, empty captured material in the outlet manifold by turning the pump upside down to drain material from the pump.

## FLUID SECTION DISASSEMBLY

1. Remove (61) outlet manifold and (60) inlet manifold.
  2. Remove (22) balls, (19) "O" rings, (21) seats and (76) seat plugs.
  3. Remove (15) fluid cap and (15a) fluid cap.
- NOTE:** Only PTFE diaphragm models use a primary diaphragm (7) and a backup diaphragm (8). Refer to the auxiliary view in the Fluid Section illustration.
4. Remove the (14) cap screw, (6) diaphragm washer, (7) diaphragm, (5) backup washer.

**NOTE:** Do not scratch or mar the surface of (1) diaphragm rod.

## FLUID SECTION REASSEMBLY

- Reassemble in reverse order. Refer to the torque requirements on page 5.
- Clean and inspect all parts. Replace worn or damaged parts with new parts as required.
- Lubricate (1) diaphragm rod and (144) "U" cups with Lubriplate® FML-2 grease (94276 grease packet is included in service kit).
- For models with PTFE diaphragms: Item (8) Santoprene diaphragm is installed with the side marked "AIR SIDE" towards the pump center body. Install the PTFE diaphragm (7) with the side marked "FLUID SIDE" towards the (15) or (15a) fluid caps.
- Apply 96998 joint sealant (approximately 27.12" long) to air cap (item 68 only) diaphragm groove. Use only 1 wrap of sealant. DO NOT overlap seam. Fill seam with heavy duty anaerobic pipe sealant. Seam to be located between bolt position 1 and 3 (refer to "torque sequence" diagram on page 5)".
- Check torque settings after pump has been re-started and run a while.

**PARTS LIST / PH15X-XXX-XXX-X FLUID SECTION**

① 637445-XX Fluid Section Service Kits include: Balls (see Ball Option, refer to -XXX in chart below), Diaphragms (see Diaphragm Option, refer to -XXX in chart below), and items 70, 144, 175 and 180 (listed below) plus items 174 and 94276 Lubriplate FML-2 grease (page 6).

BALL OPTIONS PH15X-XSP-SXX-X			
★ "22" (3-1/4" diameter)			
-XXX	Ball	Qty	[Mtl]
-XAX	95826-A	(2)	[Sp]
-XCX	95826-C	(2)	[H]
-XTX	95826-4	(2)	[T]
-XVX	95826-3	(2)	[V]

MATERIAL CODE
[B] = Nitrile
[C] = Carbon Steel
[Co] = Copper
[E] = E.P.R.
[H] = Hytrel
[L] = Long Life PTFE
[Ny] = Nylon
[Sp] = Santoprene
[SS] = Stainless Steel
[T] = PTFE
[V] = Viton

DIAPHRAGM OPTIONS PH15X-XSP-SXX-X										
	★ Service Kit	★ "7"			★ "8"			★ "19"		
-XXX	-XX = (Ball) -XX = (Diaphragm)	Diaphragm	Qty	[Mtl]	Diaphragm	Qty	[Mtl]	O-Ring	Qty	[Mtl]
-XXA	637445-XA	96166-A	(2)	[Sp]	-----	---	---	95992	(4)	[E]
-XXC	637445-XC	96166-C	(2)	[H]	-----	---	---	Y327-233	(4)	[V]
-XXL	637445-XL	96165-L	(2)	[L]	96164-A	(2)	[Sp]	Y328-233	(4)	[T]
-XXT	637445-XT	96165-T	(2)	[T]	96164-A	(2)	[Sp]	Y328-233	(4)	[T]


COMMON PARTS										
Item	Description (size)	Qty	Part No.	Mtl	Item	Description (size)	Qty	Part No.	Mtl	
1	Rod	(1)	97147	[C]	63	Pipe Plug (1-1/2 NPT) (PH15X-AXX-XXX-X)	(2)	Y17-57-S	[SS]	
5	Backup Washer	(2)	96983	[C]		(R 1-1/2) (PH15X-BXX-XXX-X)	(2)	95902-1	[SS]	
6	Fluid Side Washer	(2)	95819-1	[SS]	68	Air Cap	(1)	95889-5	[SS]	
9	Washer (13/16" ID x 2" OD x 5/32")	(2)	Y13-8-T	[SS]	69	Air Cap	(1)	95889-4	[SS]	
14	Cap Screw (3/4" - 16 x 3-1/4")	(2)	96767199	[SS]	① ② 70	Gasket	(2)	95843	[B]	
15	Fluid Cap (left side)	(1)	95890	[SS]	77	Elbow (1/4" OD tube x 1/4- NPTF-1)	(4)	59756-156	---	
15a	Fluid Cap (right side)	(1)	96987	[SS]	78	Tube (1/4" OD tube x 2.82")	(2)	29651-(③)	[Ny]	
21	Seat	(2)	95877	[SS]	82	Seat Plug	(2)	96982	[SS]	
26	Screw (M10 x 1.5 - 6g x 30 mm)	(8)	95884-1	[C]	131	Screw (PH15F) (PH15S)	(4)	96657	[C]	
27	Screw (M8 x 1.25 - 6g x 40 mm)	(20)	95896-1	[C]		(PH15A)	(4)	95934	[C]	
29	Nut (M8 x 1.25 - 6h)	(20)	95879-1	[C]	① ② 144	"U" Cup (3/16" x 1-1/4" OD)	(2)	Y186-50	[B]	
43	Ground Lug (see page 7, Air Motor)	(1)	93004	[Co]	① ② 175	"O" Ring (3/32" x 1" OD)	(2)	Y325-114	[B]	
60	Inlet Manifold (PH15X-AXX-XXX-X)	(1)	95900-1	[SS]	① ② 180	Gasket (0.406" ID x 0.031" thick)	(4)	94098	[Co]	
	(PH15X-BXX-XXX-X)	(1)	95900-2	[SS]	181	Roll Pin (5/32" OD x 1/2 long)	(4)	Y178-52-S	[SS]	
	(PH15X-FXX-XXX-X)	(1)	95943	[SS]	195	Nut (M10 x 1.5 - 6h)	(4)	93010	[SS]	
61	Outlet Manifold (PH15X-AXX-XXX-X)	(1)	95899-1	[SS]						
	(PH15X-BXX-XXX-X)	(1)	95899-2	[SS]	③	Bulk Tubing (1/4" OD x 100')	(1)	29651-XXX-X	[Ny]	
	(PH15X-FXX-XXX-X)	(1)	95945	[SS]						

② Items included in air motor service kit, see pages 6 and 7.

**Illinois Location:**  
 (847) 841-7867  
 860 Church Rd Elgin, IL 60120

**Minnesota Location:**  
 (651) 758-7867  
 330 Mill Bay South Suite  
 Afton, MN 55001

PumpSupplyInc.com



**PARTS LIST / PH15X-XXX-XXX-X FLUID SECTION**

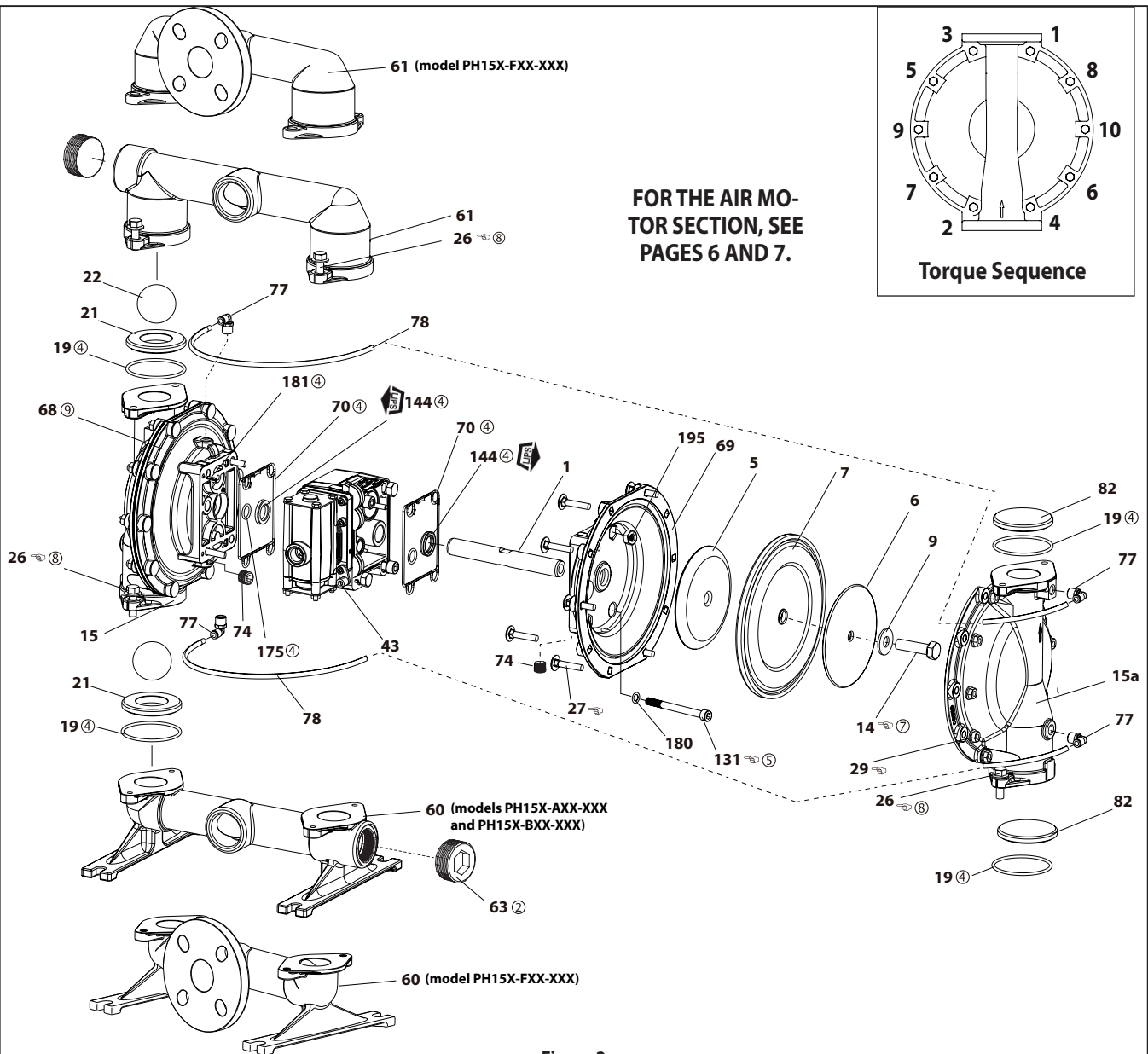
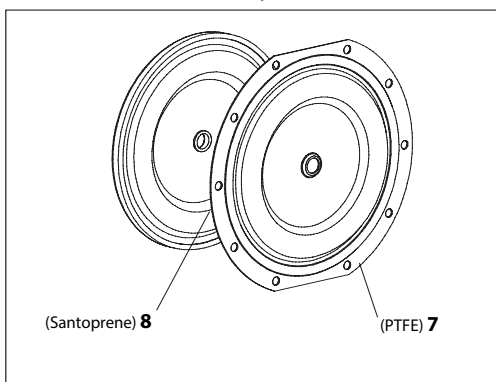


Figure 2

View for PH15X-XXX-XXT-X (PTFE diaphragm) / PH15X-XXX-XXL-X (Long Life PTFE) configuration only.



**ASSEMBLY TORQUE REQUIREMENTS**

NOTE: DO NOT OVERTIGHTEN FASTENERS.

ALL FASTENERS ARE METRIC.

- (14) Cap Screws 50-55 Ft-Lbs (67.8 - 74.6 Nm).
- (26) Manifold Screws 20 - 25 Ft-Lbs (27.1- 33.9 Nm).
- (27) Fluid Cap 15-20 Ft-Lbs (20.3 - 27.1 Nm).
- (131) Screws 12-17 Ft-Lbs (16.3 - 23 Nm).

**LUBRICATION / SEALANTS**

- ④ Apply Lubriplate FML-2 grease to all "O" rings, "U" cups and mating parts.
- ⑤ Apply Loctite® 262™ to threads at assembly.
- ⑥ Apply PTFE tape to threads at assembly.
- ⑦ Apply Loctite 271™ to threads.
- ⑧ Apply anti-seize compound to threads and bolt and nut flange heads which contact pump case when using stainless steel fasteners.
- ⑨ Apply 96998 3/8" wide x 1/8" thick Joint Sealant (approximately 27.12" long) to air cap (item 68 only) diaphragm bead groove. Use ONLY 1 wrap of sealant. DO NOT overlap seam. Fill seam with heavy duty anaerobic pipe sealant. Seam to be located between bolt positions 1 and 3 (refer to "Torque Sequence" diagram).  
Lubriplate FML-2 is a white food grade petroleum grease.



**PARTS LIST / PH15X-XXX-XXX-X AIR SECTION**

② Indicates parts included in 637389 air section service kit shown below and items 70, 144, 175 and 180 shown on page 4.

**AIR MOTOR PARTS LIST**

Item	Description (size)	Qty	Part No.	Mtl
74	Plug	(2)	Y17-51-S	[SS]
101	Center Body (PH15F)	(1)	97032	[GP]
	(PH15A)		97025	[A]
	(PH15S)		97034	[SS]
103	Bushing	(1)	97392	[D]
105	Screw (M6 x 1 - 6g x 180 mm) (PH15F)	(4)	95886	[SS]
	(PH15A), (PH15S)		95991	[SS]
107	End Plate (PH15F only)	(2)	95840	[SS]
111	Spool (PH15F)	(1)	96293	[D]
	(PH15A), (PH15S)		95835	[D]
118	Actuator Pin	(2)	95839	[SS]
121	Sleeve	(2)	95123	[D]
126	Plug (PH15F)	(1)	93897-1	[P]
	Plug (PH15A), (PH15S)		Y17-13-S	[SS]
128	Plug (PH15A), (PH15S)	(1)	Y17-50-S	[SS]
② 132	Gasket	(1)	96170	[B]
133	Washer (M6) (PH15F)	(5)	95931	[SS]
	(PH15A)	(3)	Y117-416-C	[SS]
	(PH15S)	(3)	Y14-416-T	[SS]
134	Screw (M6 x 1 - 6g x 20mm) (PH15F)	(6)	95887	[SS]
	(PH15A), (PH15S)	(4)	95887	[SS]
135	Valve Block (PH15F)	(1)	95834-5	[GP]
	(PH15A)		95942-1	[A]
	(PH15S)		95939-1	[SS]

**MATERIAL CODE**

- [AO] = Alumina Oxide
- [B] = Nitrile
- [Br] = Brass
- [C] = Carbon Steel
- [D] = Acetal
- [GP] = Groundable Polypropylene
- [I] = Iron
- [P] = Polypropylene
- [SS] = Stainless Steel
- [U] = Polyurethane

**AIR MOTOR SECTION SERVICE**

Service is divided into two parts - 1. Pilot Valve, 2. Major Valve.

**GENERAL REASSEMBLY NOTES:**

- Air Motor Section service is continued from Fluid Section repair.
- Inspect and replace old parts with new parts as necessary. Look for deep scratches on metallic surfaces, and nicks or cuts in "O" rings.
- Take precautions to prevent cutting "O" rings upon installation.
- Lubricate "O" rings with Lubriplate FML-2 grease.
- Do not over-tighten fasteners. Refer to torque specification block on view.
- Torque fasteners following restart.
- SERVICE TOOLS - To aid in the installation of (168) "O" rings onto the (167) pilot piston, use tool # 204130-T, available from ARO.

**PILOT VALVE DISASSEMBLY**

1. A light tap on (118) actuator pin should expose the opposite (121) sleeve, (167) pilot piston and other parts.
2. Remove (170) sleeve. Inspect inner bore of sleeve for damage.

Item	Description (size)	Qty	Part No.	Mtl
136	End Cap (PH15F)	(1)	95833	[P]
	(PH15A)		95941	[A]
	(PH15S)		95938	[SS]
② 137	Gasket	(1)	95844	[B]
② 138	"U" Cup (3/16" x 1-5/8" OD)	(1)	Y186-53	[B]
② 139	"U" Cup (3/16" x 1-1/8" OD)	(1)	Y186-49	[B]
140	Valve Insert	(1)	95838	[AO]
141	Valve Plate	(1)	95837	[AO]
② 166	Gasket	(1)	96171	[B]
② 167	Pilot Piston (includes items 168 and 169)	(1)	67164	[D]
168	"O" Ring (3/32" x 5/8" OD)	(2)	94433	[U]
169	"U" Cup (1/8" x 7/8" OD)	(1)	Y240-9	[B]
170	Piston Sleeve	(1)	94081	[D]
② 171	"O" Ring (3/32" x 1-1/8" OD)	(1)	Y325-119	[B]
② 172	"O" Ring (1/16" x 1-1/8" OD)	(1)	Y325-22	[B]
② 173	"O" Ring ((3/32" x 1-3/8" OD)	(2)	Y325-123	[B]
①② 174	"O" Ring (1/8" x 1/2" OD)	(2)	Y325-202	[B]
② 176	Diaphragm (check valve)	(2)	95845	[U]
② 200	Gasket (PH15F)	(1)	95842	[B]
	(PH15A), (PH15S)		96172	
201	Muffler	(1)	350-568	
233	Adapter Plate	(1)	95832	[P]
236	Nut (M6 x 1 - 6h) (PH15F)	(4)	95924	[SS]
① ②	Lubriplate FML-2 Grease	(1)	94276	
	Lubriplate Grease packets (10)		637308	

① Items included in fluid section service kit, see pages 4 and 5.

**PILOT VALVE REASSEMBLY**

1. Clean and lubricate parts not being replaced from service kit.
2. Install new (171 and 172) "O" rings. Replace (170) sleeve.
3. Install new (168) "O" rings and (169) seal - Note the lip direction. Lubricate and replace (167) pilot piston.
4. Reassemble remaining parts. Replace (173 and 174) "O" rings.

**MAJOR VALVE DISASSEMBLY**

1. Remove (135) valve block and (233) adapter plate, exposing (132 and 166) gaskets, (232) "O" ring and (176) checks.
2. Insert a small flat blade screwdriver into the notch in the side of (135) valve block and push in on tab to remove (233) adapter plate, releasing (140) valve insert, (141) valve plate and (200) gasket.
3. Remove (136) end cap and (137) gasket, releasing (111) spool.

**MAJOR VALVE REASSEMBLY PH15X-XXX-XXX-X (en)**

1. Install new (138 and 139) "U" cups on (111) spool - **LIPS MUST FACE EACH OTHER.**
2. Insert (111) spool into (135) valve block.
3. Install (137) gasket on (136) end cap and assemble end cap to (135) valve block, securing with (107) end plates and (105) screws. **NOTE:** Tighten (105) screws to 35 - 40 in. lbs (4.0 - 4.5 Nm).



**TROUBLESHOOTING**

**Product discharged from exhaust outlet.**

- Check for diaphragm rupture.
- Check tightness of (14) cap screw.

**Air bubbles in product discharge.**

- Check connections of suction plumbing.
- Check "O" rings between intake manifold and fluid caps.
- Check tightness of (14) cap screw.

**Motor blows air or stalls.**

- Check (176) check valve for damage or wear.
- Check for restrictions in valve / exhaust.

**Low output volume, erratic flow or no flow.**

- Check air supply.
- Check for plugged outlet hose.
- Check for kinked (restrictive) outlet material hose.
- Check for kinked (restrictive) or collapsed inlet material hose.
- Check for pump cavitation - suction pipe should be sized at least as large as the inlet thread diameter of the pump for proper flow if high viscosity fluids are being pumped. Suction hose must be a non-collapsing type, capable of pulling a high volume.
- Check all joints on the inlet manifolds and suction connections. These must be air tight.
- Inspect the pump for solid objects lodged in the diaphragm chamber or the seat area.

**DIMENSIONAL DATA**

(Dimensions shown are for reference only, they are displayed in inches and millimeters (mm)).

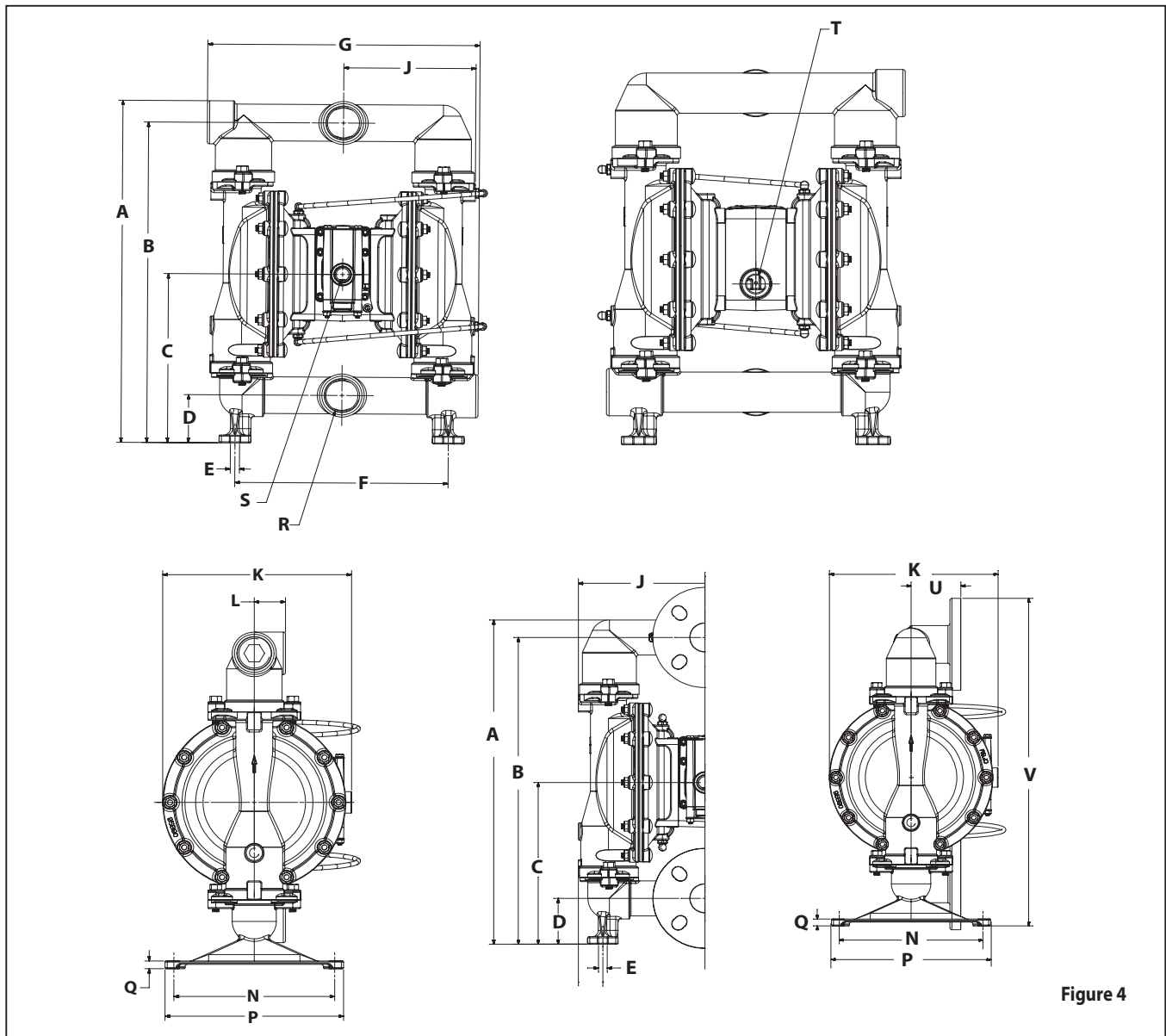


Figure 4

**DIMENSIONS**

A - 19.609" (498.1 mm)	F - 11.750" (298.5 mm)	L - 2 x 1.750" (44.5 mm)	S - Air Inlet 1/2 - 14 NPT
B - 18.375" (466.7 mm)	G - 14.875" (377.8 mm)	N - 9.000" (228.6 mm)	T - Exhaust port 3/4 - 14 NPT
C - 9.687" (246.0 mm)	J - 7.284" (185 mm)	P - 10.000" (254.0 mm)	U - 2 x 3.125" (79.4 mm)
D - 2.750" (69.9 mm)	K - 10.575" (268.6 mm)	Q - 0.450" (11.4 mm)	V - 21.438" (543.9 mm)
E - 4 x .500" slot (12.7 mm)			

"R" Inlet / Outlet

PH15X-ASP-SXX-AXXXX 1 - 1/2-11 - 1/2" NPTF-1  
 PH15X-BSP-SXX-AXXXX Rp 1 - 1/2 (1 - 1/2" 11 BSP)

PN 97999-1647