

Submersible Grinder Pumps

Specifications:

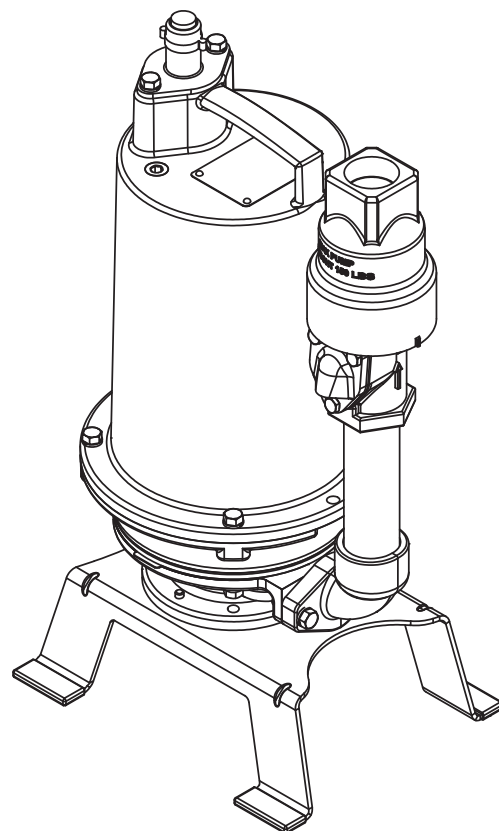
DISCHARGE1¼" NPT SCH 80, 300 Series SS
CHECK VALVE1¼" NPT Cast Iron
 StyleFlapper with Integrated Anti-Siphon
LIQUID TEMPERATURE104°F (40°C) Continuous
MOTOR HOUSINGCast Iron ASTM A-48, Class 30.
SEAL PLATECast Iron ASTM A-48, Class 30.
SUCTION CASINGCast Iron ASTM A-48, Class 30.
IMPELLERStainless Steel
SHREDDING RINGHardened 440C Stainless Steel
 Rockwell® C-55.
CUTTERHardened 440C Stainless Steel,
 Rockwell® C-55.
SHAFT416 Stainless Steel
SQUARE RINGSBuna-N
O-RINGSBuna-N
HARDWARE300 Series Stainless Steel
PAINTAir Dry Enamel
SEAL: *Design*Single Mechanical
 MaterialRotating Face - Silicon Carbide
 Stationary Face - Silicon Carbide
 Elastomer - Buna-N
 Hardware - 300 Series Stainless
CORD ENTRY20ft. (6m) Cord with Plug, Custom Molded
 Quick Connect for Sealing with Strain
 Relief.
CORD:
 Type14/3 CSA/UL Approved SOW
SPEED:3450 RPM, 60Hz
UPPER BEARING:
 DesignSingle Row, Ball, Oil Lubricated
 LoadRadial
LOWER BEARING:
 DesignSingle Row, Ball, Oil Lubrication
 LoadRadial & Thrust
MOTOR:
 DesignNEMA, Oil-Filled,
 Squirrel Cage Induction
 InsulationClass F
 TypeCapacitor Start/Capcitor Run
LEVEL CONTROL:
 A SeriesPipe Mounted, Piggy-Back Mechanical
 with 240V Plug
OPTIONAL EQUIPMENT.....Additional cord

Illinois Location:

(847) 841-7867
860 Church Rd Elgin, IL 60123

Minnesota Location:

(651) 758-7867
330 Mill Bay South Suite 1511 Afton, MN 55001



Patent Pending

Series: PGPT
1HP, 3450RPM, 60Hz

DESCRIPTION:

GRINDER PUMP DESIGNED TO REDUCE DOMESTIC SEWAGE TO A FINELY GROUND SLURRY.



WARNING:
CANCER AND REPRODUCTIVE HARM -
WWW.P65WARNINGS.CA.GOV

PumpSupplyInc.com



PUMPS & SYSTEMS

A Crane Co. Company

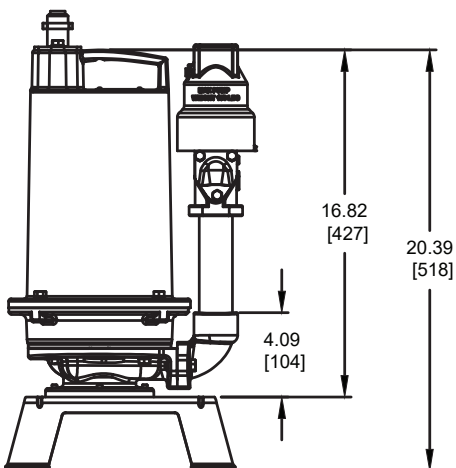
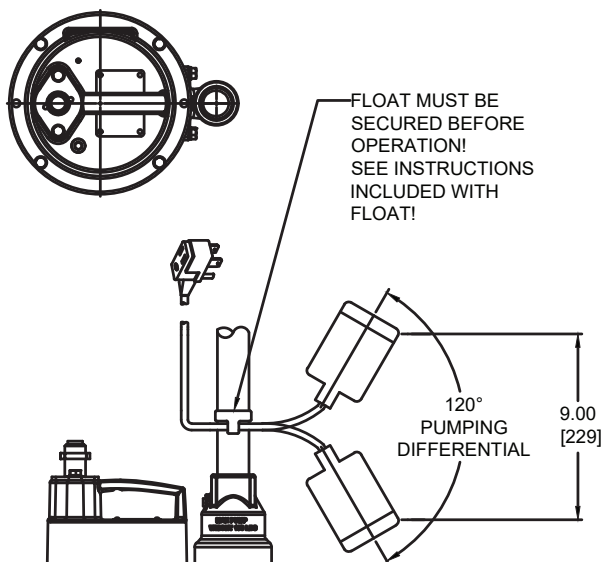
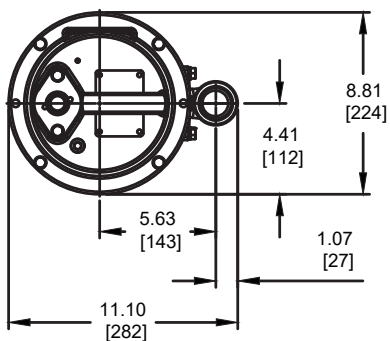
SECTION E
PAGE 1
DATE 12/18

Models PGPT

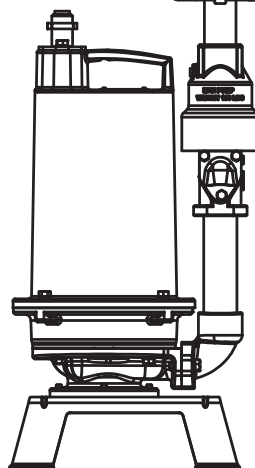


Submersible Grinder Pumps

inches
(mm)



MANUAL



AUTOMATIC

MODEL NO	PART NO	HP (kW)	VOLT	PH/Hz	NEMA START CODE	FULL LOAD AMPS	LOCKED ROTOR AMPS	CORD SIZE	CORD TYPE	CORD O.D. ± .02 (.5) in (mm)	CORD LENGTH FT. (m)
PGPT1022	140708	1 (.75)	240	1 / 60	K	12.5	35.0	14/3	SOW	.61 (15.5)	20 (6.1)
PGPT1022A	140709	1 (.75)	240	1 / 60	K	12.5	35.0	14/3	SOW	.61 (15.5)	20 (6.1)

IMPORTANT !

- 1.) PUMP MAY BE OPERATED "DRY" FOR EXTENDED PERIODS WITHOUT DAMAGE TO MOTOR AND/OR SEALS.
- 2.) INSTALLATIONS SUCH AS DECORATIVE FOUNTAINS OR WATER FEATURES PROVIDED FOR VISUAL ENJOYMENT MUST BE INSTALLED IN ACCORDANCE WITH THE NATIONAL ELECTRIC CODE ANSI/NFPA 70 AND/OR THE AUTHORITY HAVING JURISDICTION. THIS PUMP IS NOT INTENDED FOR USE IN SWIMMING POOLS, RECREATIONAL WATER PARKS, OR INSTALLATIONS IN WHICH HUMAN CONTACT WITH PUMPED MEDIA IS A COMMON OCCURRENCE.

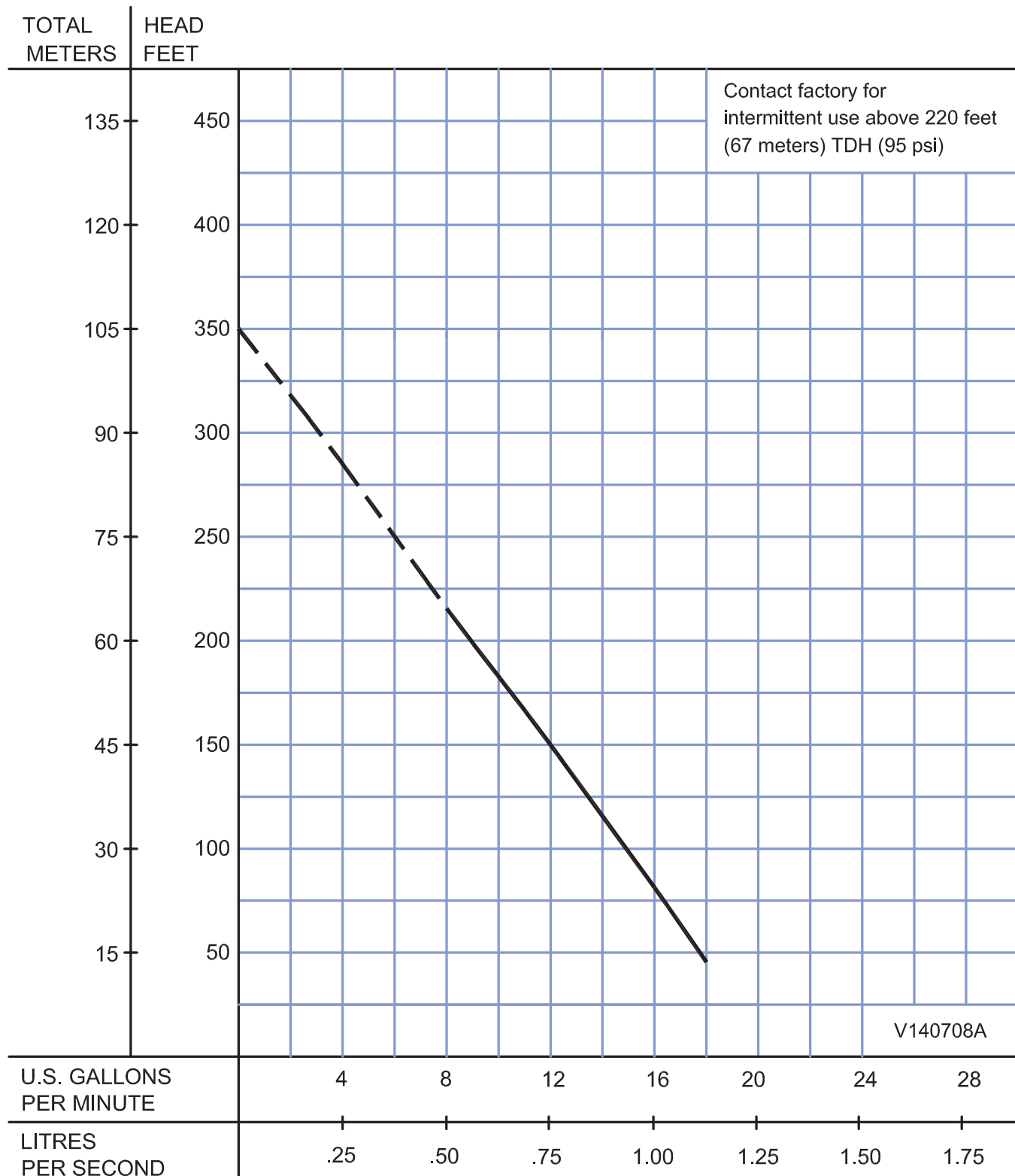
SECTION E
PAGE 2
DATE 8/16



PUMPS & SYSTEMS

A Crane Co. Company

Submersible Grinder Pumps



Testing is performed with water, specific gravity 1.0 @ 68° F @ (20°C), other fluids may vary performance



A Crane Co. Company

PUMPS & SYSTEMS

SECTION E
PAGE 3
DATE 8/16