

ARO[®]



PUMP SUPPLY INCORPORATED

DIAPHRAGM PUMPS

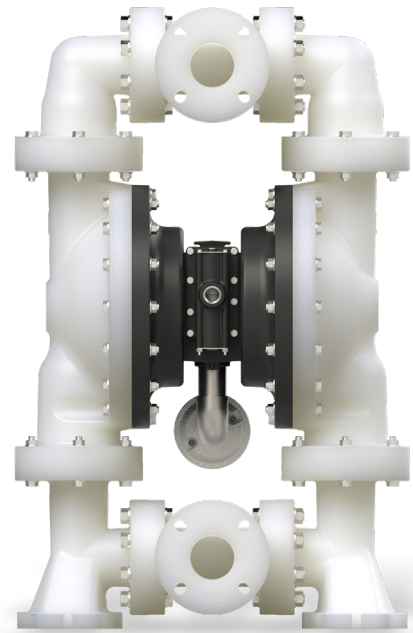
3" NON-METALLIC PUMP MODEL



ARO[®]**PUMP SUPPLY**
INCORPORATED

EXP Series 3" Non-Metallic Diaphragm Pump

ARO[®] EXP Series diaphragm pumps now include new 3" non-metallic models available in polypropylene or PVDF. The NEW 3" non-metallic models are reliable, efficient and offer a lower Total Cost of Ownership that has made ARO[®] a leading brand in the pumping industry. With flows rates up to 285 gpm (1,079 lpm) our 3" non-metallic models can meet or exceed your application requirements.



Application expertise in:



Oil and Gas



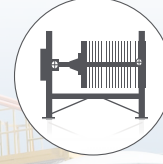
Industrial



Paint and Coatings



Chemical Processing

Tank Farm /
Bulk TransferWaste Water /
Water Treatment

Filter Press



ARO® Diaphragm Pump Technology




All EXP Series pumps are “Process Ready” and enhanced with electronic interface capability providing accurate, electronically controlled operation. Combine our pump with the ARO® Controller or a PLC or PC based system and switch from inaccurate, inefficient manual processes to intelligent fluid management.

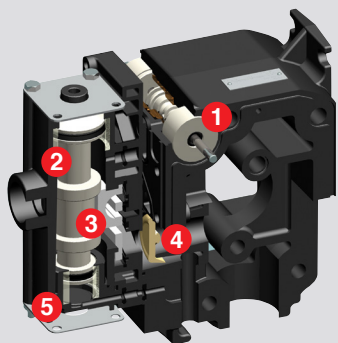
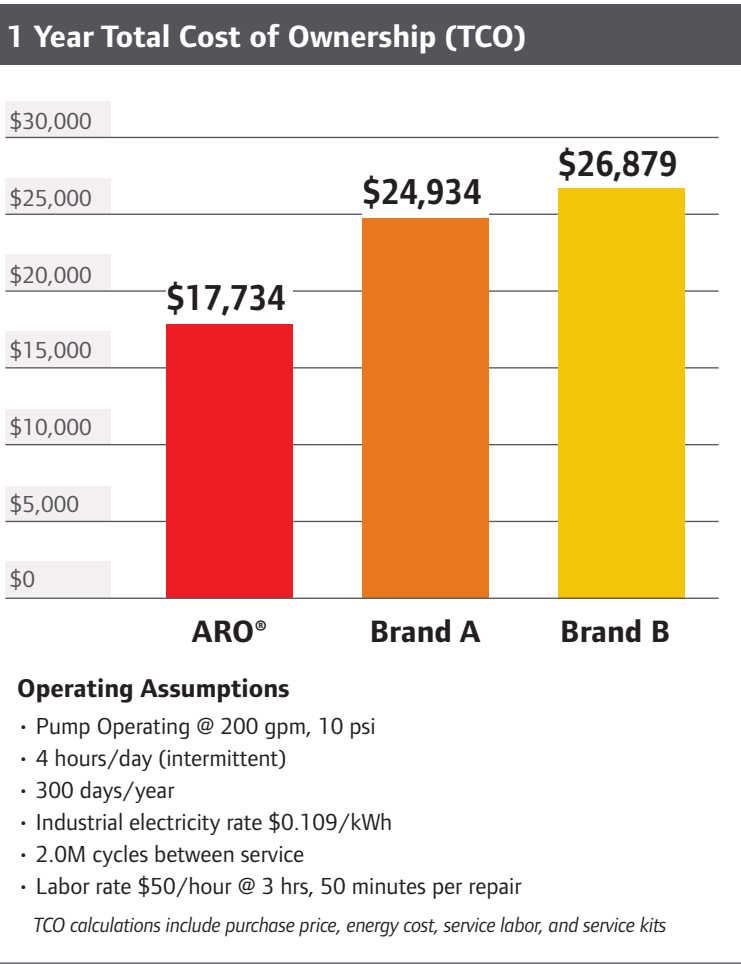
ARO® EXP Series diaphragm pumps include all of the benefits of standard air-operating pumps (run dry capability, corrosion resistant center body, rib-less fluid caps, etc.), combined with the rugged reliability of our EXP pump design features.

Features:

- ▶ **EXP Total Cost of Ownership (TCO)**
 Best TCO of all major competitive models tested
- ▶ **EXP Reliability** Lube free patented differential valve both on major air valve and SimulShift (Pilot Valve) provides reliable worry free operation
- ▶ **EXP Serviceability** Modular construction, reduced parts count and simple to use repair kits will minimize repair time and cost
- ▶ **EXP Control & Monitoring - “Process Ready”** Electronic interface capability



assures consistent flow rates and pinpoint control. End of stroke feedback (EOS), leak detection and solenoid actuation
- ▶ **EXP Productivity** Maximized flow rates with minimized pulsation and air consumption = Maximum Performance



Patented ARO® Air Motor Technology

- 1 *SimulShift™ Valve; avoids stall-out – provides faster pump trip-over with more flow.*
- 2 *Unbalanced™ Major Air Valve; eliminates pump stall-out, even under low air inlet pressures.*
- 3 *“D” Valve for optimum energy efficiency while avoiding costly air “blow-by” – ceramic construction for long service life.*
- 4 *Quick Dump™ Checks, eliminates pump ice-up by diverting cold, wet exhaust air away from the major air valve.*
- 5 *Simplified Major Air Valve Block, is easy to access, simple to service and lube free. Engineered thermoplastic body combines strength with corrosion resistance,*

3-Inch Air Operated Diaphragm Pump



Benefits of the NEW ARO® 3" Non-Metallic Pump:

- Efficient transfer leveraging EXP air motor design
- Faster transfer, 55% more flow than ARO® EXP 2" Non-Metallic models
- Flow accuracy with electronic interface

Specifications

Description	
Ratio	1:1
Maximum GPM (LPM):	285 GPM (1079 LPM)
Air Inlet:	3/4-14 NPT
Fluid Inlet / Outlet	3" ANSI (4-hole) or DIN (8-hole) Flange
Max. operating pressure psi (bar):	120 psi (8.3 Bar)
Suspended solids max. dia. in. (mm):	3/8" (9.5mm)
Weight lbs (kg):	Polypropylene 170 lbs (77.11 kg) PVDF 242 lbs (109.77 kg)
Maximum dry suction lift ft (m):	20.5 ft. (6.3m)
Sound Level:	70 PSI 60 Cycles/Min. 85.3 db(A)
Muffler Included:	67389



Ordering

Position	1	2		3	4	5		6	7	8		9	10	11
Example:	PX30	P	-	X	X	S	-	X	X	X	-	A	X	X

Position 1 Model Series	Position 2 Center Section	Position 3 Connections	Position 4 Wetted Parts	Position 5 Hardware	Position 6 Seat Material	Position 7 Ball Material	Position 8 Diaphragm Material	Position 9
PD30 - Standard Pump PE30† - Electronic Interface Accessible Pump	P - Polypropylene	D - 3" ANSI 4-hole flange F - 3" DIN 8-hole flange	K - PVDF P - Polypropylene	S - SS	K - PVDF P - Polypropylene	A - Santoprene® C - Hytrel® G - Buna- N T - PTFE V - Viton®	A - Santoprene® C - Hytrel® G - Buna- N L - Long-Life PTFE T - PTFE/Santoprene®	Revision Level Position 10 & 11 Specialty Code Fluid control options for pump with electronic interface (PE30 model). See complete description below

Ordering Position 10†

Specialty Code 1 (Blank if no Specialty Code)

A - Solenoid 120VAC	O - Standard Valve Block (No Solenoid)
B - Solenoid 12VDC	P - Ported Motor (No major valve provided)
C - Solenoid 240VAC	
D - Solenoid 24VDC	
N - Solenoid with no coil	

Ordering Position 11

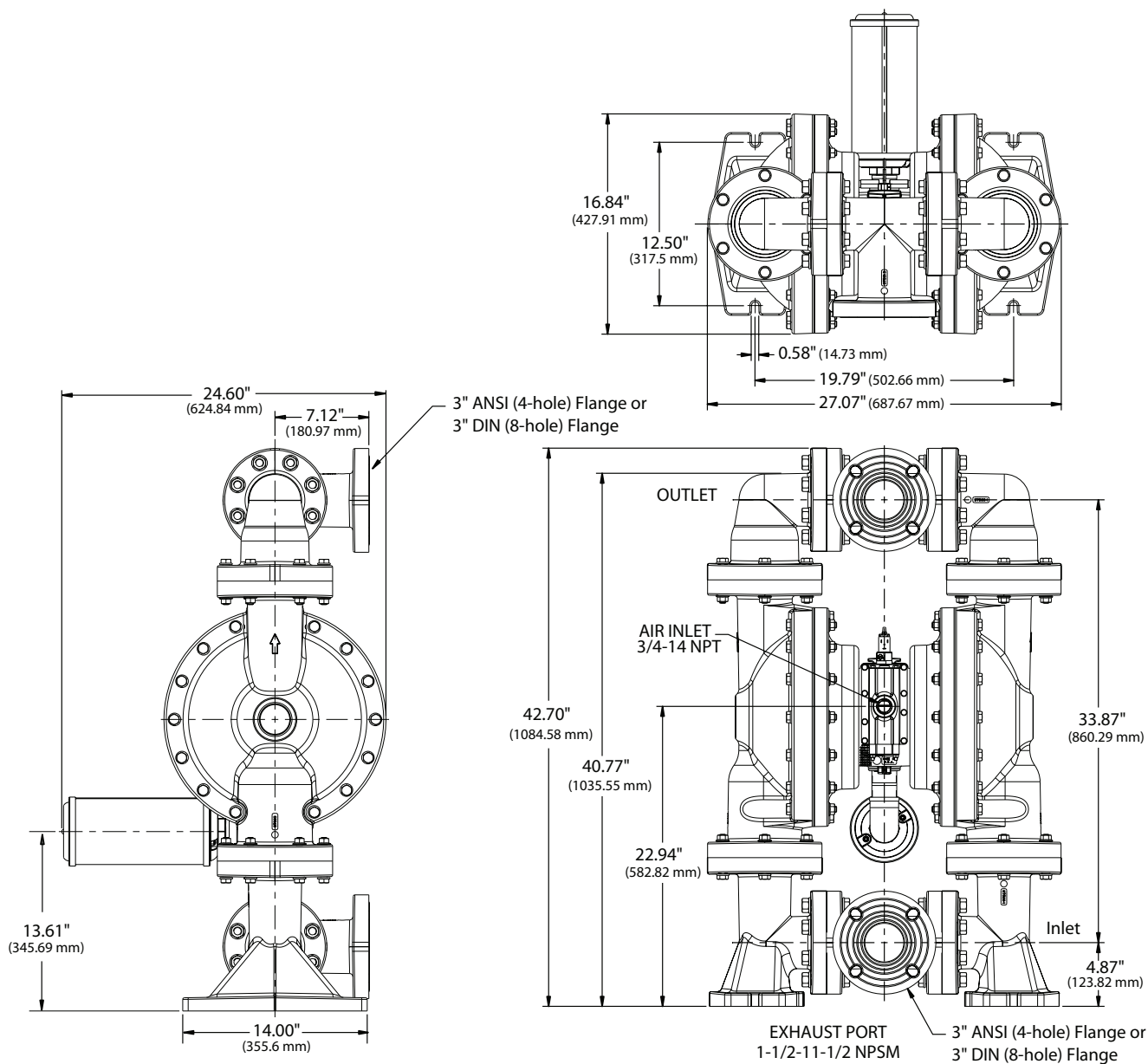
Specialty Code 2 (Blank if no Specialty Code)

E - End of stroke feedback + Leak Detection
F - End of stroke feedback
L - Leak Detection
O - No Option

† Call customer service for availability

Hytrel® and Viton® are registered trademarks of the DuPont company. Santoprene® is a registered trademark of Monsanto Company, licensed to Advanced Elastomer Systems, L.P.

3" Non-Metallic Dimensional Data



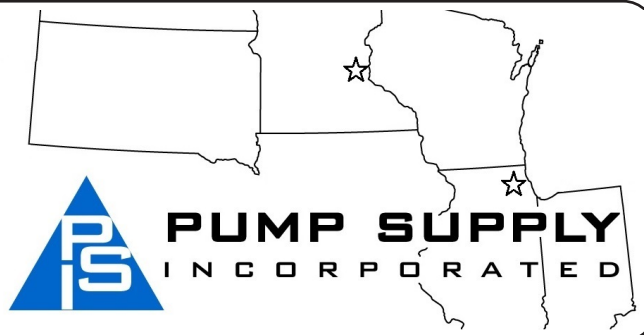
Illinois Location:

(847) 841-7867
860 Church Rd Elgin, IL 60120

Minnesota Location:

(651) 758-7867
330 Mill Bay South Suite
Afton, MN 55001

PumpSupplyInc.com



3" Non-Metallic Diaphragm Pumps Accessories



Authentic ARO® Parts include a comprehensive array of diaphragm parts and accessories built exactly by ARO® to compliment your pump. Accessories like diaphragm failure detection kits, end of stroke feedback sensors and genuine ARO® repair kits will keep your pump maintained and running while saving you time and money.



Additional accessories are available in the EXP Series catalog (IRITS-1215-200)

Description	Model Number
Air Line Connection Kit (Piggyback Filter/Regulator with gauge, pipe nipple and 5-foot air hose)	66109
Air motor service repair kit	637369
Major air valve assembly	637374
Fluid section service repair kit	637447-AA 637447-GG 637447-TL 637447-TT
End of stroke sensors -Regular Duty	97121
Leak Detection -Regular Duty	67237

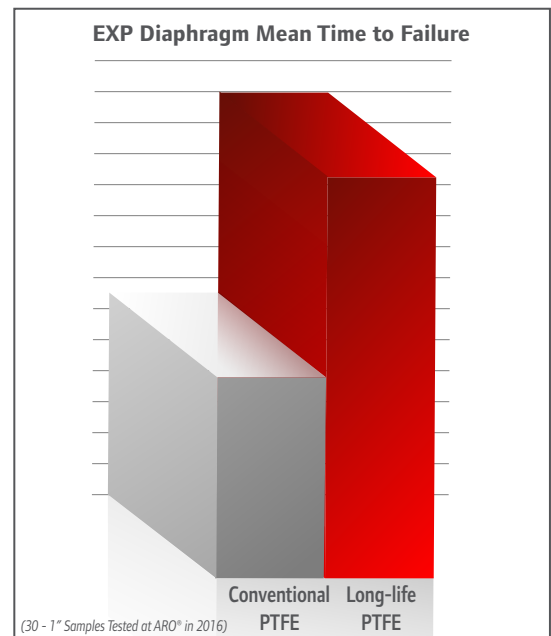
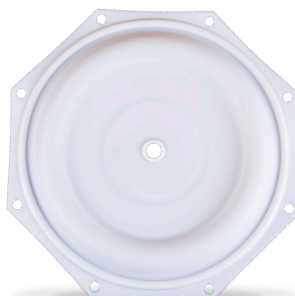


Long-Life PTFE Diaphragm

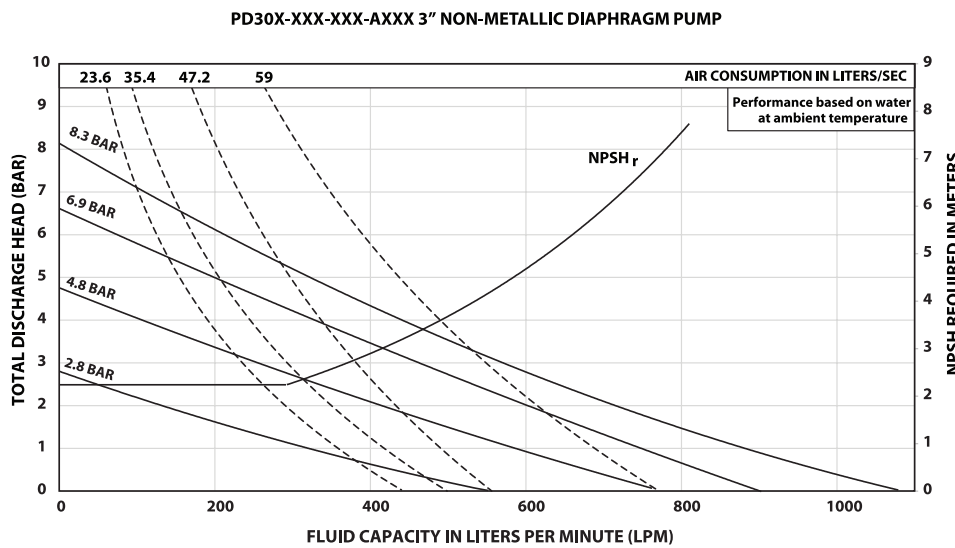
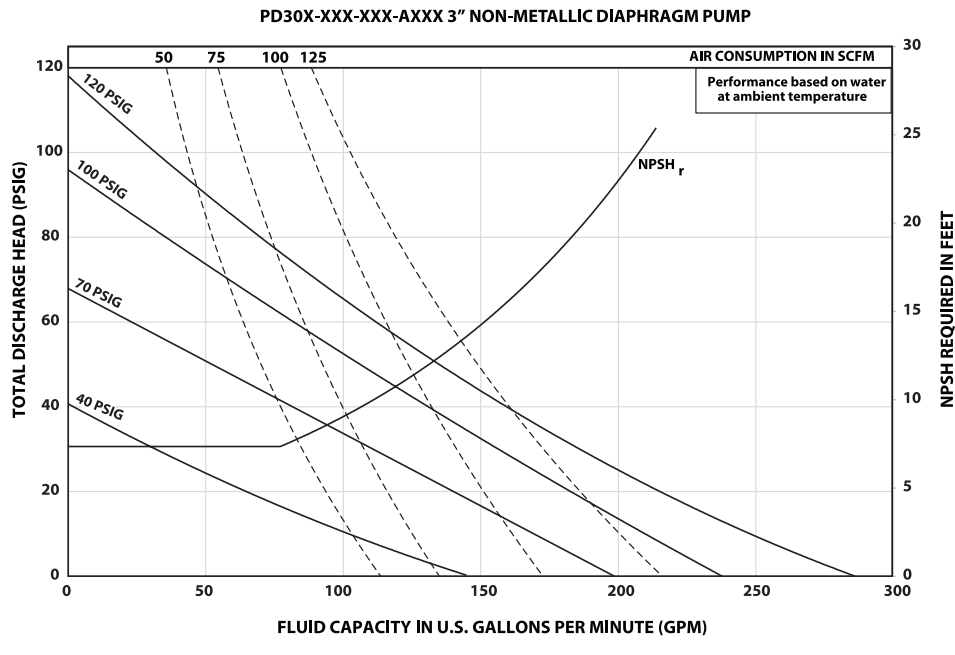
ARO® Long-Life PTFE Diaphragms are a superior choice over conventional diaphragms.

- Proven 2 time increase in service life over standard PTFE*
- Made with uniquely formulated PTFE that provides greater flex life
- Same great chemical resistance as conventional PTFE
- Seamless replacement for your existing PTFE diaphragms

* As measured by mean time between failure



Performance Curves



Warranty

All ARO® Pumps are backed up by our 5-year warranty, as a measure of the confidence we place in the quality of these products. A confidence that you can share.

Ingersoll Rand/ARO® warrants to the original use purchaser of IR/ARO® manufactured pumps that Ingersoll Rand/ARO® will repair or replace, free of charges, including return shipping costs within the Continental United States of America, any such product which under normal use and service proves defective in material or workmanship, within FIVE YEARS from date of shipment.



This warranty does not cover failure of parts or components due to normal wear or damage, which in the judgment of Ingersoll Rand/ARO®, that arises from misuse, abrasion, corrosion, negligence, accident, substitution of non-Ingersoll Rand/ARO® parts, faulty installation or tampering.



Illinois Location:
(847) 841-7867
860 Church Rd Elgin, IL 60120

Minnesota Location:
(651) 758-7867
330 Mill Bay South Suite
Afton, MN 55001

PumpSupplyInc.com



The logo for Pump Supply Incorporated features a blue triangle on the left containing the white letters 'P' and 'S' stacked vertically. To the right of the triangle, the words 'PUMP SUPPLY' are written in a large, bold, black sans-serif font, with 'INCORPORATED' in a smaller, spaced-out, black sans-serif font below it. The entire logo is overlaid on a map of the United States, with stars marking the locations in Illinois and Minnesota.