

3" Metallic Models

EXP SERIES PUMPS

ARO® EXP 3" metallic diaphragm pumps achieve flow rates of up to 275 GPM (1040.9 LPM) and offer a wide array of material and porting configurations. These pumps are often used for transfer, filling, recirculation and batching in ceramic, paint, oil and gas, chemical and petrochemical markets.

UPGRADE
PUMP FOR REMOTE ACTUATION CAPABILITY

Ratio: 1:1
 Maximum GPM (LPM): 275 (1041)
 Displacement per cycle: 2.8 (10.6)
 @ 100 psi Gallons (Liters)
 Air Inlet: (Female) 3/4 - 14 N.P.T.F. - 1
 Fluid Inlet / Outlet (Female): 3" - 8 N.P.T.F. - 1
 Rp 3 (3 - 11 BSP ANSI or DIN Center Flange)
 Max. operating pressure psi (bar): 120 (8.3)
 Suspended solids max. dia. in. (mm): 3/8 (9.5)
 Weight lbs (kg):
 PX30A-XAX-XXX-C 129.5 (58.8)
 PX30A-XCX-XXX-C 221.1 (100.3)
 PX30A-AHX-XXX-C 249.4 (113.3)
 PX30A-ASX-XXX-C 228.3 (103.8)
 PX30A-FHX-XXX-C 269.4 (122.3)
 PX30A-FSX-XXX-C 245.2 (114.4)
 Note: Add 40 lbs (18.2 kg) for stainless steel air motor section
 Maximum dry suction lift ft (m): 14 (4.2)
 Sound Level: 70 PSI 50 Cycles / Min 83.0db(A)
 Muffler Included: 67389



Ordering

| Position | 1 | 2 | 3 | 4 | 5 | 6 | 7 | 8 | 9 | 10 | 11 | | | |
|----------|------|---|---|---|---|---|---|---|---|----|----|---|---|---|
| Example: | PX30 | X | - | X | X | X | - | X | X | X | - | C | X | X |

| Position 1 Model Series | Position 2 Center Section | Position 3 Connections | Position 4 Wetted Parts | Position 5 Hardware | Position 6 Seat Material | Position 7 Ball Material | Position 8 Diaphragm Material | Position 9 |
|---|---|--|--|---|--|---|--|--|
| PD30 - Standard Pump PE30 - Electronic Interface Accessible Pump | A - Aluminum* R - Polypropylene w/SS Air Caps S - Stainless Steel* | A - NPTF Thread B - BSP Thread D [†] - ANSI 4-hole center flange F [†] - DIN 4-hole center flange † Stainless Steel Pumps Only | A - Aluminum* C - Cast Iron H ^{††} - Hastelloy-C* S - Stainless Steel* †† Not available on PD30R-X models | P - Plated Steel S - Stainless Steel | A - Santoprene® C - Hytrel® E - Carbon Steel F - Aluminum G - Nitrile H - 440 SS K - PVDF L - Hastelloy S - 316 SS | A - Santoprene® C - Hytrel® G - Nitrile T - PTFE V - Viton® | A - Santoprene® C - Hytrel® G - Buna-N L - Long-Life PTFE T - PTFE/ Santoprene® V - Viton® | Revision Level Position 10 & 11 Specialty Code Fluid control options for pump with electronic interface (PE30 model). See complete description on page 41 |

* Acceptable for use in hazardous locations. - NEC / CEC: Class I&II, Div 1&2, Group A-D
 - ATEX: Zone 1&2, 21&22

Hytrel® is a registered trademark of DuPont company, Santoprene® is registered trademark of Monsanto and Viton® is a registered trademark of ExxonMobil

Accessories

Air Line Connection Kit | 66109

(Piggyback Filter/Regulator with gauge, pipe nipple and 5-foot air hose)

Diaphragm Failure Detection | 67237

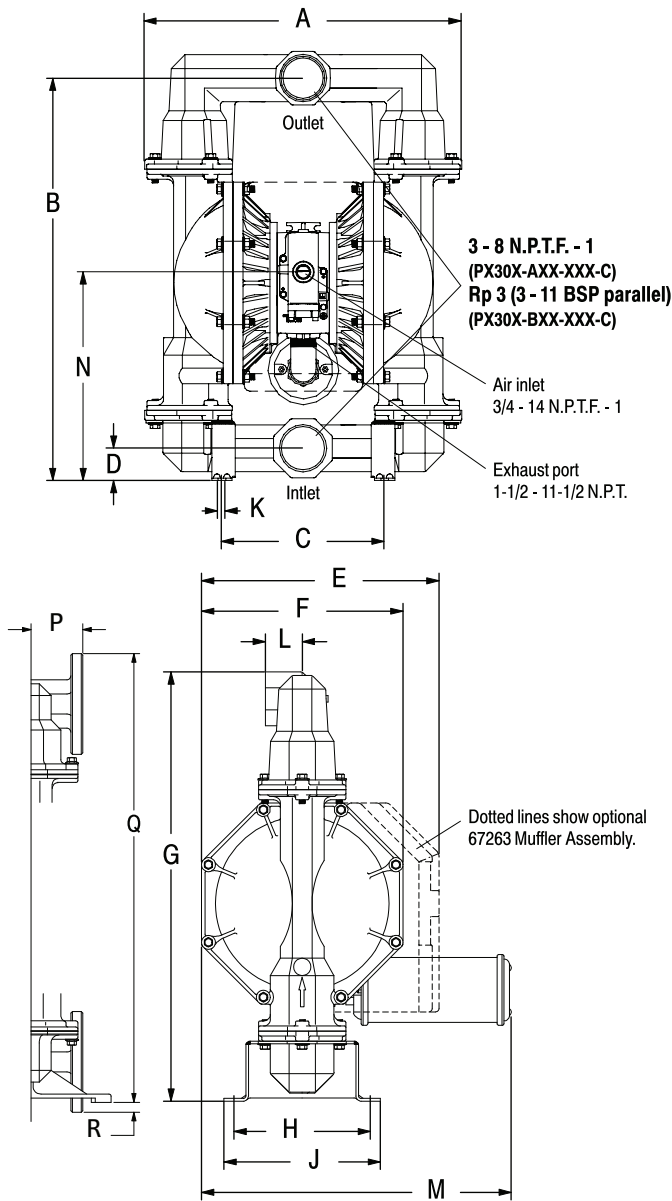
Service Repair Kits | 637369 (air motor for PX30R), 637421 (air motor for PX30A and PX30S),
 637374-X (major air valve assembly), 637303-XXX (fluid section with seats)





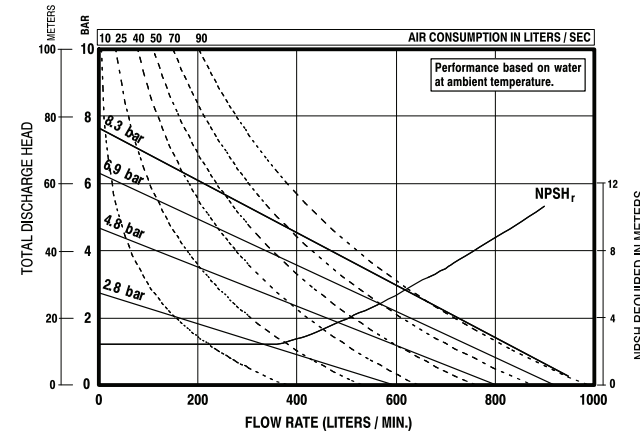
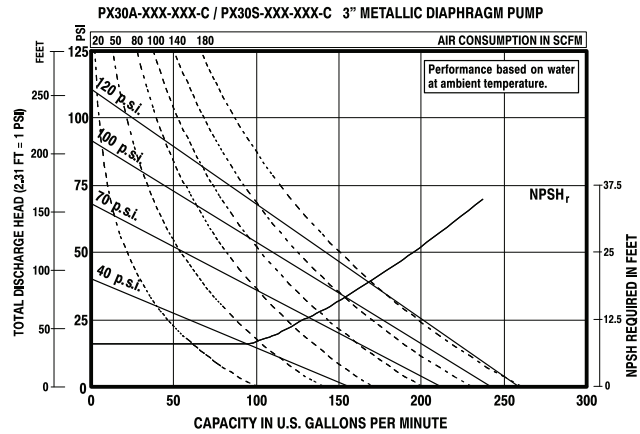
PUMP SUPPLY INCORPORATED

3" Metallic Dimensions and Flow Charts



DIMENSIONS

| | | |
|------------------------|---------------------|-----------------------|
| A see below | F 15" (381 mm) | L 2-3/4" (69.9 mm) |
| B 30" (761.7 mm) | G 32" (812.5 mm) | M 23-3/32" (586.3 mm) |
| C 12-1/16" (306.5 mm) | H 10-5/32" (258 mm) | N See Below |
| D see below | J see below | P See Below |
| E 17-11/16" (449.2 mm) | K 9/16" (4.3 mm) | Q 27-7/8" (708.0 mm) |
| | | R 5/8" (5.9 mm) |
| | "A" | "D" |
| PX30X-XAX-XXX-C | 23-5/8" (598.7 mm) | 2-3/8" (60.3 mm) |
| PX30X-XCX-XXX-C | 23-5/8" (598.7 mm) | 2-7/16" (61.1 mm) |
| PX30X-XHX-XXX-C | 23-1/8" (587.3 mm) | 2-3/4" (69.9 mm) |
| PX30X-XSX-XXX-C | 23-1/8" (587.3 mm) | 2-3/4" (69.9 mm) |
| | "J" | "p" |
| | 11" (279.4 mm) | 2" (50.8 mm) |
| 11-11/16" (296.1 mm) | 15-1/2" (393.7 mm) | 2" (50.8 mm) |
| 11-11/16" (296.1 mm) | 15-1/2" (393.7 mm) | 2-3/32" (53.0 mm) |
| 11-11/16" (296.1 mm) | 16" (406.4 mm) | 2-3/32" (53.0 mm) |
| 11-11/16" (296.1 mm) | 16" (406.4 mm) | 3-1/4" (82.6 mm) |



Performance based on an elastomeric fitted pump, flooded suction with water at ambient conditions. Due to varying materials of construction, assembly configurations and operating conditions, published data is for reference only

Ordering Position 10

Specialty Code 1 (Blank if no Specialty Code)

| | |
|---------------------|--|
| A - Solenoid 120VAC | G - Solenoid 12VDC ATEX/IECex* |
| B - Solenoid 12VDC | H - Solenoid 24VDC ATEX/IECex* |
| C - Solenoid 240VAC | J - 120VAC NEC/CEC* |
| D - Solenoid 24VDC | K - Solenoid 220VAC ATEX/IECex* |
| E - 12vDC NEC/CEC* | N - Solenoid with no coil |
| F - 24vDC NEC/CEC* | O - Standard Valve Block (No Solenoid) |
| | P - Ported Motor (No major valve provided) |

Ordering Position 11

Specialty Code 2 (Blank if no Specialty Code)

| | |
|--|--|
| E - End of stroke feedback + Leak Detection | L - Leak Detection |
| F - End of stroke feedback | M - Leak Detection ATEX/IECex/NEC/CEC* |
| G - End of Stroke ATEX/IECex* | O - No Option |
| H - End of Stroke/Leak Detection ATEX/IECex* | R - End of Stroke Feedback NEC / CEC* |
| | T - End of Stroke Feedback + Leak Detection NEC / CEC* |

* Acceptable for use in hazardous locations. - NEC / CEC: Class I&II, Div 1&2, Group A-D
- ATEX: Zone 1&2, 21&22