

# SALES & ENGINEERING DATA

**PD20R-XXX-XXX-B / PD20Y-XXX-XXX-B**  
**PE20R-XXX-XXX-B( ) / PE20Y-XXX-XXX-B( )**  
**2" METALLIC DIAPHRAGM PUMP**

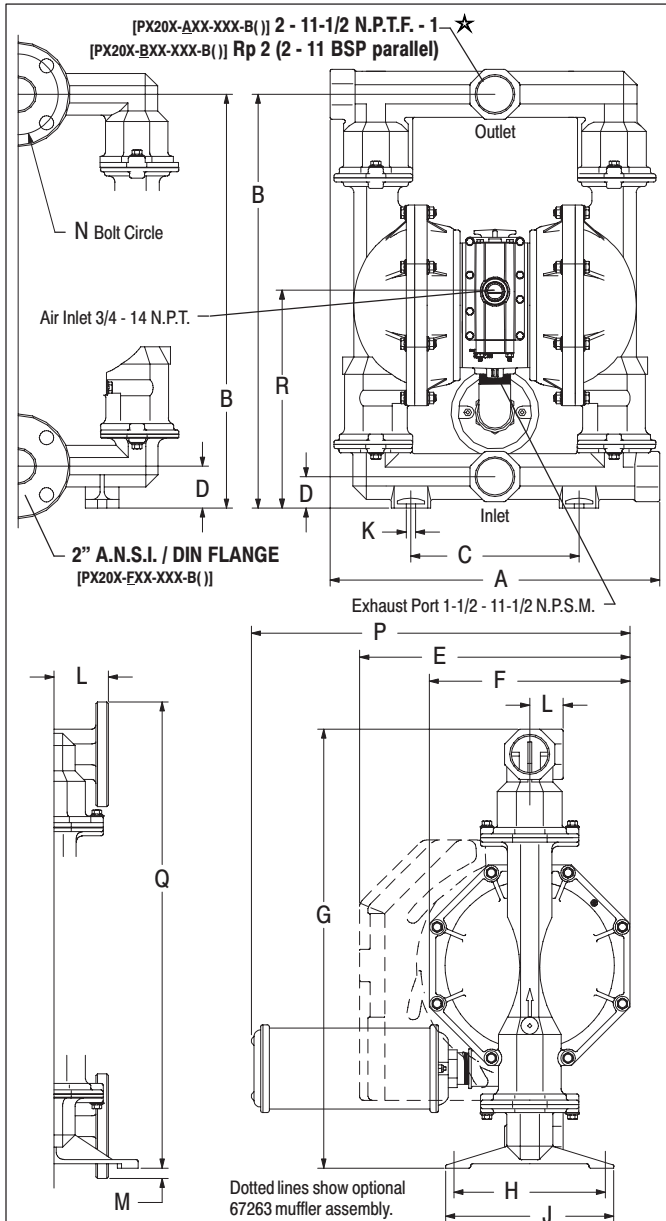
**RATIO SERIES: 1:1**

**FLUID P.S.I. RANGE: 20 - 120**



RELEASED: 12-9-04  
 REVISED: 9-15-11  
 (REV. 05) S-1339

## DIMENSIONAL DATA



Dotted lines show optional 67263 muffer assembly.

### DIMENSIONS

A see below	G 26-1/4" (666.8 mm)	M 5/8" (15.9 mm)
B 24-3/4" (628.7 mm)	H 9-1/16" (230.2 mm)	N 4.834" (122.8 mm)
C 10-1/16" (255.6 mm)	J 10-1/16" (255.6 mm)	P 21-5/8" (548 mm)
D see below	K 9/16" (14.3 mm)	Q 27-7/8" (708.0 mm)
E 16-3/16" (411.2 mm)	L see below	R 13-9/16" (344.5 mm)
F 12" (304.8 mm)	★ Side Discharge Ports not available on PX20X-XXS-X-B Models.	

PX20X-XCX	19-3/4" (501.4 mm)	1-7/8" (47.6 mm)	2" (50.8 mm)
PX20X-AHX, -BHX	19-3/8" (492.1 mm)	2-1/2" (63.5 mm)	2-3/32" (53.0 mm)
PX20X-ASX, -BSX	19-3/8" (492.1 mm)	2-1/2" (63.5 mm)	2-3/32" (53.0 mm)
PX20X-FHX, -FSX	19-3/8" (492.1 mm)	2-1/2" (63.5 mm)	3-1/4" (82.6 mm)

NOTE: Dimensions are shown in inches and (mm), supplied for reference only and are typically rounded up to the nearest 1/16 inch.

## SPECIFICATIONS

### CONSTRUCTION

<b>Model Series</b> .....	PD20R-X-X-B / PD20Y-X-X-B
.....	PE20R-X-X-B( ) / PE20Y-X-X-B( )
<b>Pump Type</b> .....	Metallic, Air Operated, Double Diaphragm
<b>Ratio</b> .....	1:1
<b>Material Inlet / Outlet (female)</b>	
PX20X-AXX-XXX-B( ) .....	2 - 11-1/2 N.P.T.F. - 1
PX20X-BXX-XXX-B( ) .....	Rp 2 (2 - 11 BSP parallel)
PX20X-FXX-XXX-B( ) .....	2" A.N.S.I. / DIN Flange
<b>Air Inlet (female)</b> .....	3/4 - 14 N.P.T.
<b>Air Exhaust (female)</b> .....	1-1/2 - 11-1/2 N.P.S.M.
<b>Weight</b> ..	
PX20X-XCX-XXX-B( ) ...	165 lbs (74.8 kgs)
PX20X-AHX-XXX-B( ) ...	154 lbs (69.9 kgs)
PX20X-ASX-XXX-B( ) ...	154 lbs (69.9 kgs)
PX20X-BHX-XXX-B( ) ...	154 lbs (69.9 kgs)
PX20X-BSX-XXX-B( ) ...	154 lbs (69.9 kgs)
PX20X-FHX-XXX-B( ) ...	146 lbs (66.2 kgs)
PX20X-FSX-XXX-B( ) ...	146 lbs (66.2 kgs)
<b>Air Section Service Kit</b> .....	637369
<b>Fluid Section Service Kit</b> .....	637309-XX

**PX20X-XXX-X [X] [X] -B( )**  
**637309 - [X] [X]**  
 Diaphragm Material  
 Ball Material

EXAMPLE: Model # PD20Y-ACP-SAA-B  
 Fluid Section Service Kit is 637309-AA

### PERFORMANCE

<b>Air Inlet Pressure Range</b> .....	20 - 120 p.s.i. (1.4 - 8.3 bar)
<b>Maximum Material Inlet Pressure</b> ...	10 p.s.i. (0.69 bar)
<b>Fluid Pressure Range</b> .....	20 - 120 p.s.i. (1.4 - 8.3 bar)
<b>Maximum Flow Rate</b> .....	172 g.p.m. (651 l.p.m.)
<b>Displacement / Cycle @ 100 p.s.i.</b> ..	1.4 gal. (5.3 lit.)
<b>Maximum Particle Size</b> .....	1/4" dia. (6.4 mm)
<b>Maximum Temperature Limits (diaphragm / ball / seal material)</b>	
E.P.R. / EPDM .....	-60° to 280° F (-51° to 138° C)
Hytrek .....	-20° to 150° F (-29° to 66° C)
Nitrile .....	10° to 180° F (-12° to 82° C)
Polypropylene .....	35° to 175° F (2° to 79° C)
PVDF (Kynar) .....	10° to 200° F (-12° to 93° C)
Santoprene .....	-40° to 225° F (-40° to 107° C)
PTFE .....	40° to 225° F (4° to 107° C)
Viton .....	-40° to 350° F (-40° to 177° C)
<b>Noise Level @ 70 p.s.i. - 60 c.p.m.①</b> .	85.0 db(A)②

① Tested with 67263 muffer assembly installed.  
 ② The pump sound pressure level has been updated to an Equivalent Continuous Sound Level (L<sub>Aeq</sub>) to meet the intent of ANSI S1. 13-1971, CAGI-PNEUROPS5.1 using four microphone locations.

**ACCESSORIES:**  
 66473 Air Line Connection Kit  
 67263 Continuous Muffer  
 94117 Int. Muffer



### PERFORMANCE CURVES

#### PD20X-XXX-XXX-B / PE20X-XXX-XXX-B() 2" METALLIC DIAPHRAGM PUMP

