

SALES AND ENGINEERING DATA

RATIO SERIES:	1:1
FLUID PSIG RANGE:	10 - 120

PD20P-XXS-XXX-A, PE20P-XXS-XXX-A 2" NON-METALLIC DIAPHRAGM PUMP



RELEASED: 12-16-02
REVISED: 11-26-21
(REV: K) S-1262

SPECIFICATIONS

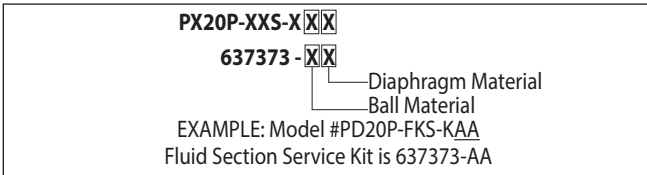
CONSTRUCTION

Model Series	PD20X-XXS-XXX PE20X-XXS-XXX
Pump Type	Non-Metallic, Air Operated, Double Diaphragm
Ratio	1:1
Material Inlet / Outlet	2" A.N.S.I / DIN Hybrid Flange
Air Inlet (female)	3/4 - 14 NPTF - 1
Air Exhaust (female)	1-1/2 - 11-1/2 NPSM
Weight	
PX20E-FES-XXX	85.3 lbs (38.7 kgs)
PX20P-FKS-XXX	110.9 lbs (50.3 kgs)
PX20E-FNS-XXX	110.9 lbs (50.3 kgs)
PX20P-FPS-XXX	85.3 lbs (38.7 kgs)
PX20P-YPS-XXX	89 lbs (40.4 kgs)
PX20P-YKS-XXX	116.8 lbs (53 kgs)
Air Section Service Kit	637369
Fluid Section Service Kit	637373-XX

PERFORMANCE

Maximum Air Inlet Pressure	120 psig (8.3 bar)
Maximum Material Inlet Pressure	10 psig (0.69 bar)
Maximum Outlet Pressure	120 psig (8.3 bar)
Maximum Flow Rate (flooded inlet)	184 gpm (696 lpm)
Displacement / Cycle @ 100 psig	1.4 gal. (5.3 lit.)
Maximum Suction Lift (Dry Inlet)	19.5 ft (5.9 m) water
Maximum Suction Lift (Flooded Inlet)	31 ft (9.5 m) water
Maximum Particle Size	1/4" dia. (6.4 mm)
Maximum Temperature Limits (diaphragm / ball / seal material)	
E.P.R. / EPDM	-60° to 280° F (-51° to 138° C)
Hytrel®	-20° to 180° F (-29° to 82° C)
Nitrile	10° to 180° F (-12° to 82° C)
Conductive Polypropylene	32° to 175° F (0° to 79° C)
Polypropylene	32° to 175° F (0° to 79° C)
PVDF	10° to 200° F (-12° to 93° C)
Santoprene®	-40° to 225° F (-40° to 107° C)
PTFE	40° to 225° F (4° to 107° C)
Viton®	-40° to 350° F (-40° to 177° C)
Noise Level @ 70 psig - 60 cpm ^①	85.0 dB(A) ^②

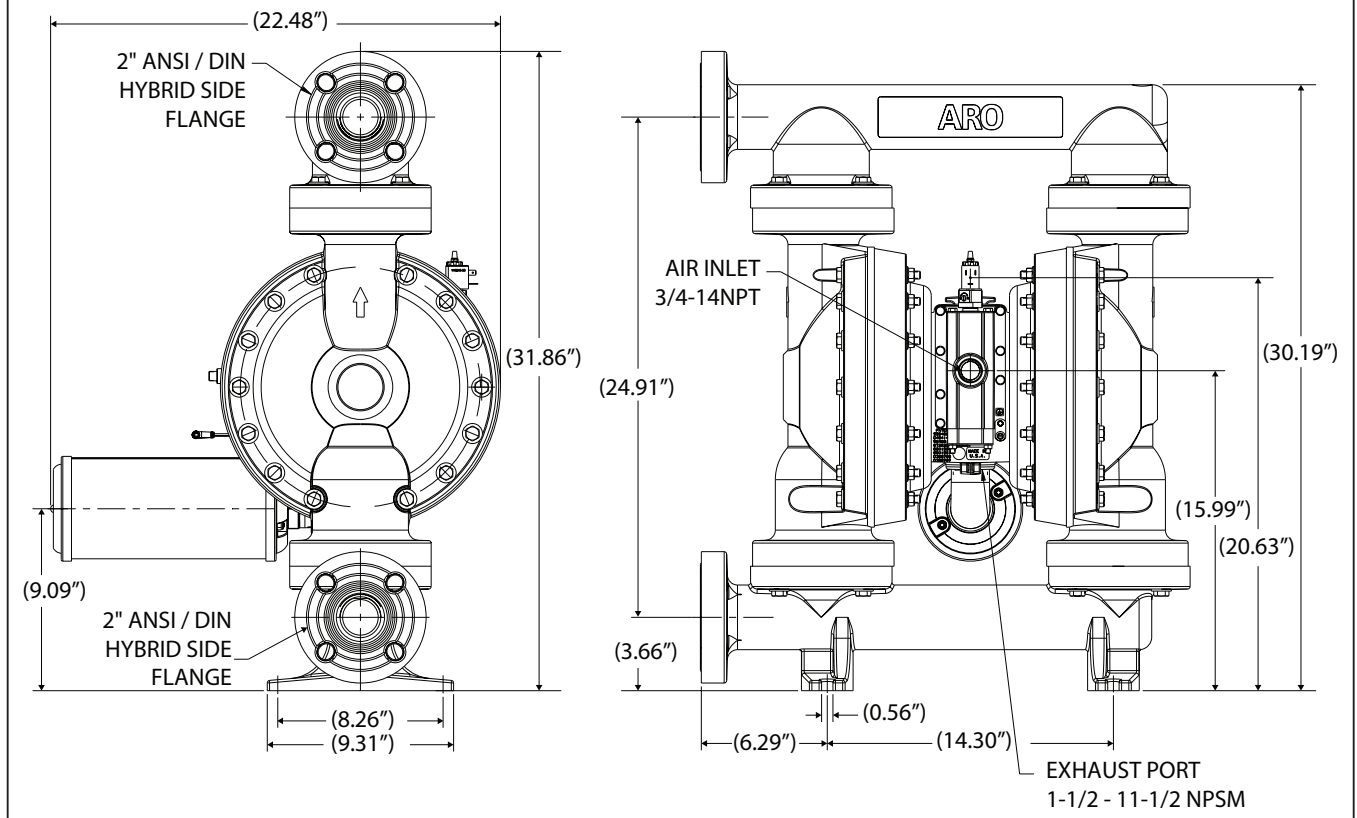
① Tested with 67263 muffler assembly installed.
② The pump sound pressure level has been updated to an Equivalent Continuous Sound Level (LA_{eq}) to meet the intent of ANSI S1. 13-1971, CAGI-PNEUROP S5.1 using four microphone locations.



DIMENSIONAL DATA

Dimensions shown are for reference only, they are displayed in inches.

PX20P-FXS-XXX-AXXX, PX20E-XXX-XXX-AXXX



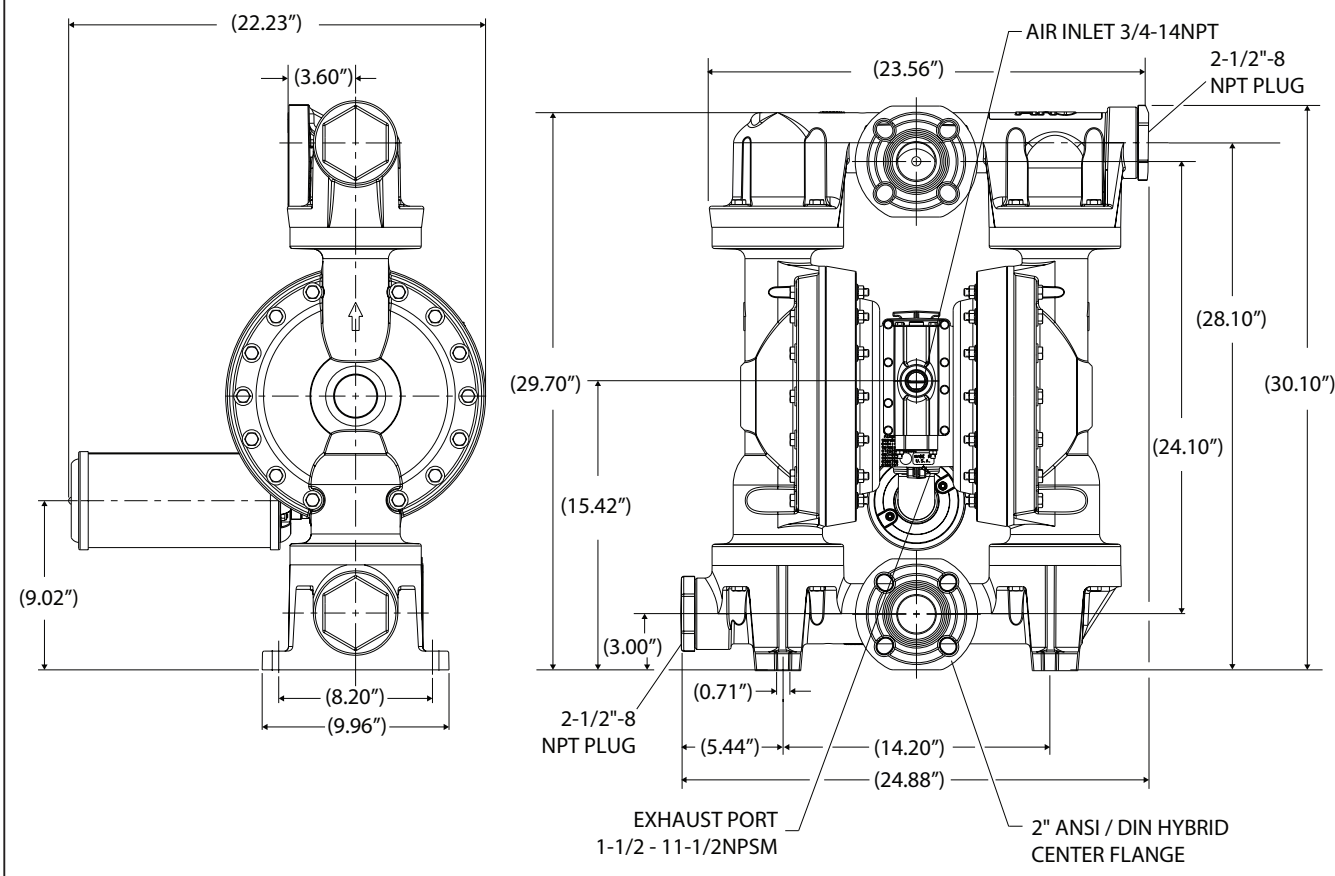
CCN 20082814



DIMENSIONAL DATA

Dimensions shown are for reference only, they are displayed in inches.

PX20P-YXS-XXX-AXXX



Illinois Location:

(847) 841-7867
860 Church Rd Elgin, IL 60120

Minnesota Location:

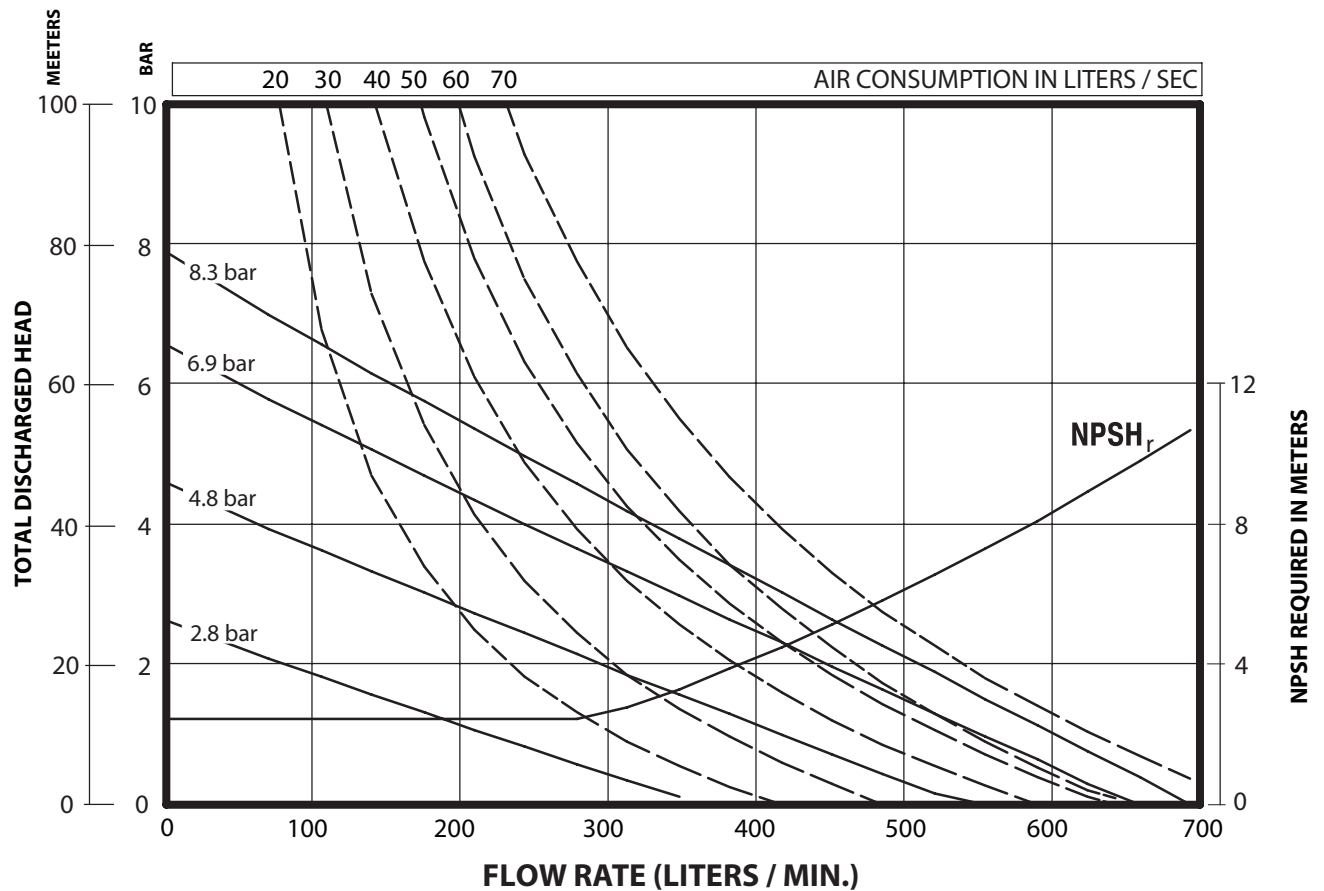
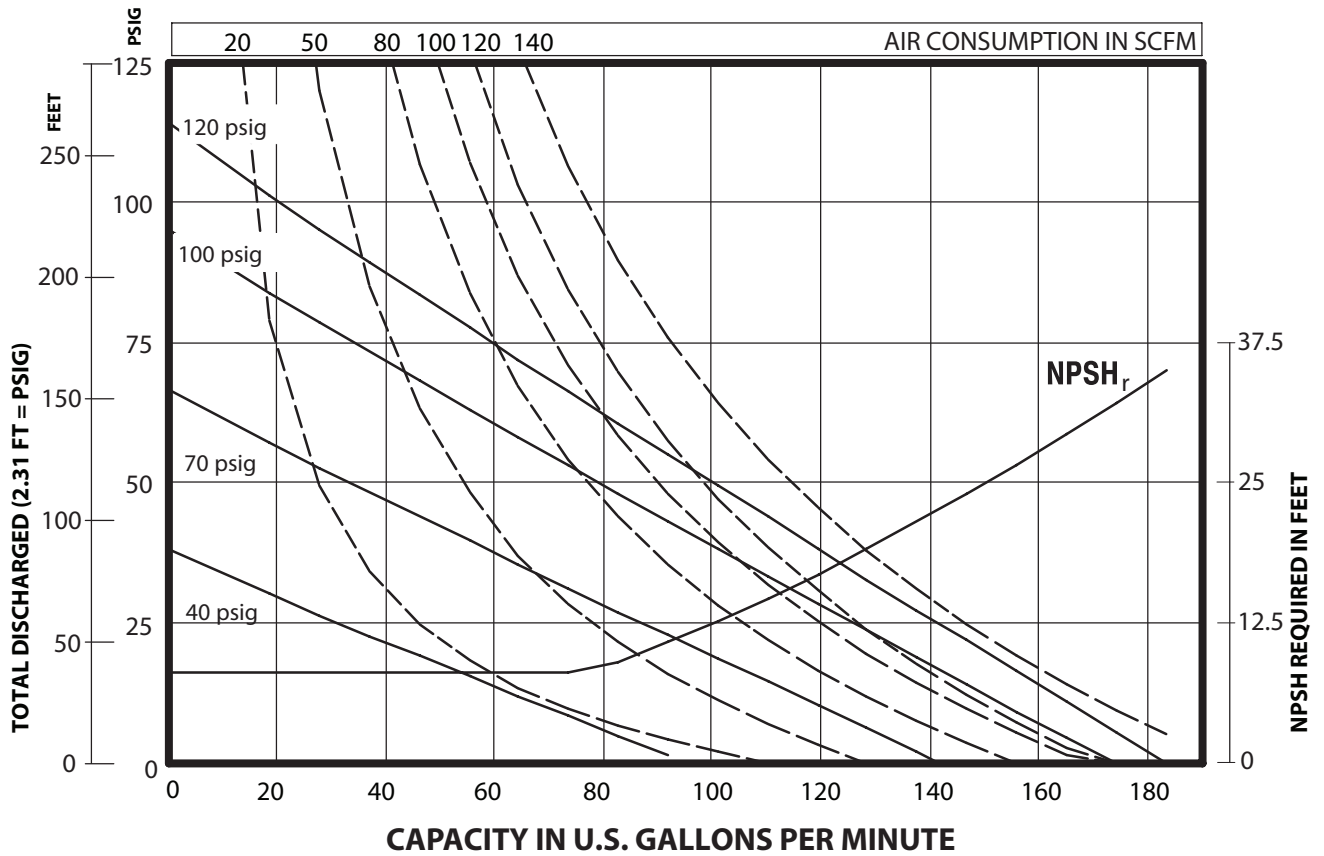
(651) 758-7867
330 Mill Bay South Suite :
Afton, MN 55001

PumpSupplyInc.com



PERFORMANCE CURVES

PX20P-XXS-XXX 2" NON-METALLIC DIAPHRAGM PUMP



Performance based on an elastomeric fitted pump, flooded suction with water at ambient conditions. Due to varying materials of construction, assembly configurations and operating conditions, published data is for reference only.

Illinois Location:
(847) 841-7867
860 Church Rd Elgin, IL 60120

Minnesota Location:
(651) 758-7867
330 Mill Bay South Suite
Afton, MN 55001

PumpSupplyInc.com

