

SALES AND ENGINEERING DATA

PD20A-XXX-XXX-B / PD20S-XXX-XXX-B
PE20A-XXX-XXX-B () / PE20S-XXX-XXX-B ()
PZ20A-XXX-XXX-B / PZ20S-XXX-XXX-B
2" METALLIC DIAPHRAGM PUMP

| | |
|--------------------------|-----------------|
| RATIO SERIES: | 1:1 |
| FLUID PSIG RANGE: | 20 - 120 |

RELEASED: 2-3-05
REVISED: 6-17-22
(REV: G) S-1338

SPECIFICATIONS

CONSTRUCTION

| | |
|---|---|
| Model Series | PD20A-X-X-B / PD20S-X-X-B PE20A-X-X-B () / PE20S-X-X-B () PZ20A-X-X-B / PZ20S-X-X-B |
| Pump Type | Metallic, Air Operated, Double Diaphragm |
| Ratio | 1:1 |
| Material Inlet / Outlet (female) | |
| PX20X- <u>A</u> XX-XXX-B() | 2 - 11-1/2 NPTF - 1 |
| PX20X- <u>B</u> XX-XXX-B() | Rp 2 (2 - 11 BSP parallel) |
| PX20X- <u>F</u> XX-XXX-B() | 2" A.N.S.I / DIN Flange |
| Air Inlet (female) | 3/4 - 14 NPTF - 1 |
| Air Exhaust (female) | 1-1/2 - 11-1/2 NPT |
| Weight . PX20A- <u>X</u> AX-XXX-B() | 91.4 lbs (41.5 kgs) |
| PX20A- <u>X</u> CX-XXX-B() | 147.4 lbs (66.9 kgs) |
| PX20A- <u>A</u> HX-XXX-B(), -BHX ... | 155.0 lbs (70.3 kgs) |
| PX20A- <u>A</u> SX-XXX-B(), -BSX ... | 149.8 lbs (68.0 kgs) |
| PX20A- <u>F</u> HX-XXX-B(), | 169.4 lbs (76.8 kgs) |
| PX20A- <u>F</u> SX-XXX-B(), | 162.0 lbs (73.5kgs) |
| (add 28.9 lbs [13.1 kgs] for stainless steel air motor section) | |
| Air Section Service Kit | 637421 |
| Fluid Section Service Kit | 637309-XX |
| Major Air Valve Assembly | 637374-X |

PERFORMANCE

| | |
|--|---------------------------------|
| Air Inlet Pressure Range | 20 - 120 psig (1.4 - 8.3 bar) |
| Maximum Material Inlet Pressure ... | 10 psig (0.69 bar) |
| Fluid Pressure Range | 20 - 120 psig (1.4 - 8.3 bar) |
| Maximum Flow Rate | 172 g.p.m. (651 lpm) |
| Displacement / Cycle @ 100 psig | 1.4 gal. (5.3 lit.) |
| Maximum Particle Size | 1/4" dia. (6.4 mm) |
| Maximum Temperature Limits (diaphragm / ball / seat material) | |
| E.P.R. / EPDM | -60° to 280° F (-51° to 138° C) |
| Hytre [®] | -20° to 180° F (-29° to 82° C) |
| Nitrile | 10° to 180° F (-12 to 82° C) |
| PVDF | 10° to 200° F (-12° to 93° C) |
| Santoprene [®] | -40° to 225° F (-40° to 107° C) |
| PTFE | 40° to 225° F (4° to 107° C) |
| Viton [®] | -40° to 350° F (-40° to 177° C) |
| Noise Level @ 70 psig - 60 cpm[®] ... | 85.0 dB(A) [®] |
| ① Tested with 67263 muffler assembly installed. | |
| ② The pump sound pressure level has been updated to an Equivalent Continuous Sound Level (LAeq) to meet the intent of ANSI S1. 13-1971, CAGI-PNEUROP S5.1 using four microphone locations. | |

ACCESSORIES:

66312 Air Line Connection Kit
 67263 Continuous Muffler
 94117 Int. Muffler

PX20X-XXX-XXX-B()

637309 - XX

Diaphragm Material
 Ball Material

EXAMPLE: Model #PD20A-AAP-AAA-B
 Fluid Section Service Kit is 637309-AA

Illinois Location:

(847) 841-7867
 860 Church Rd Elgin, IL 60120

Minnesota Location:

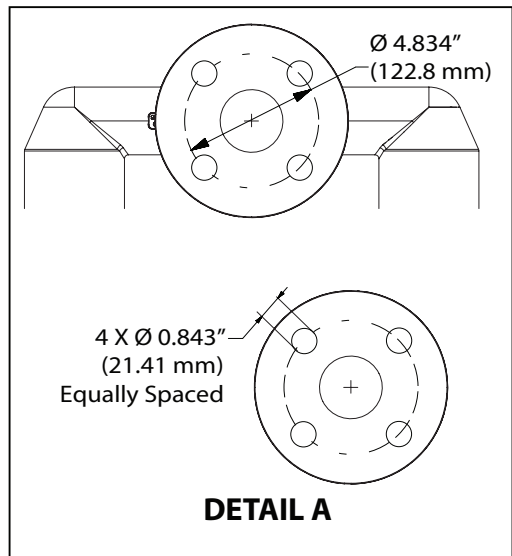
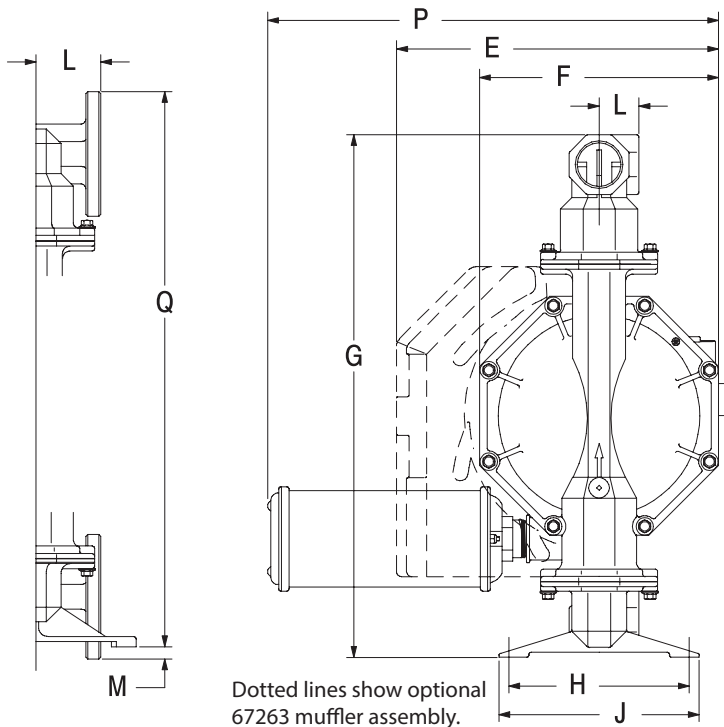
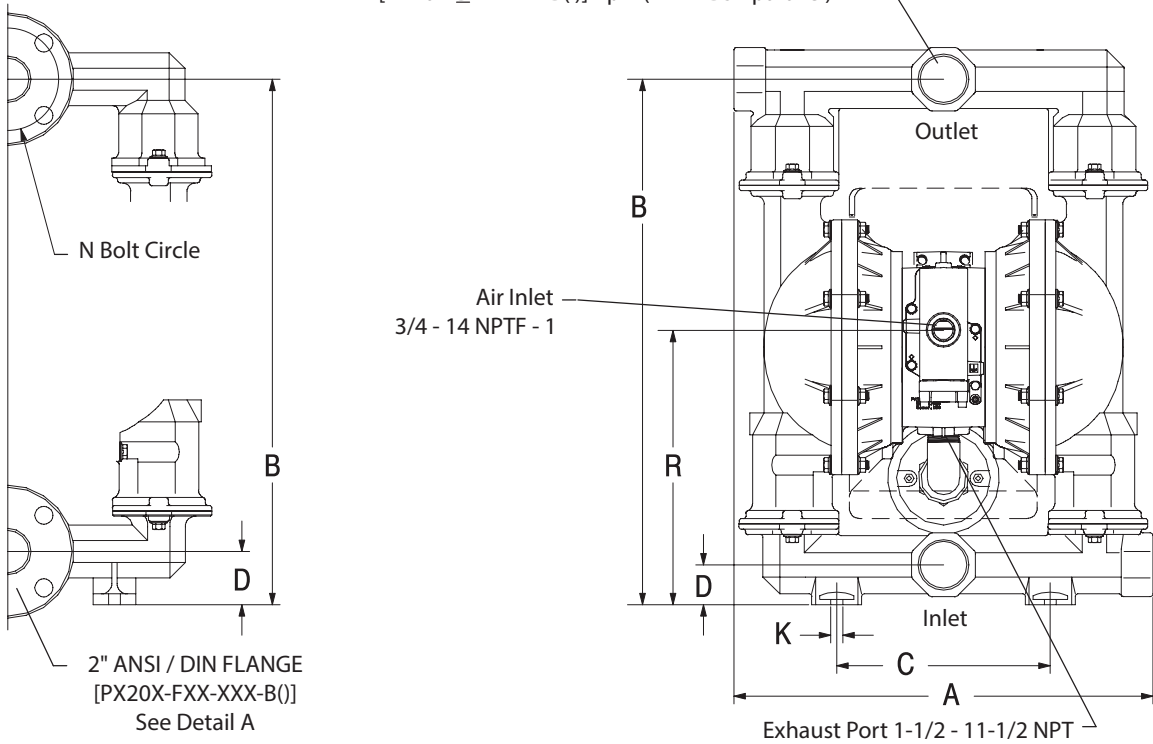
(651) 758-7867
 330 Mill Bay South Suite 100
 Afton, MN 55001

PumpSupplyInc.com



DIMENSIONAL DATA

[PX20X-AXX-XXX-B()] 2 - 11-1/2 NPTF - 1
 [PX20X-BXX-XXX-B()] Rp 2 (2 - 11 BSP parallel)*



DIMENSIONS

- A - see below
- B - 24.75" (628.7 mm)
- C - 10.06" (255.6 mm)
- D - see below
- E - 16.18" (411.2 mm)
- F - 12" (304.8 mm)
- G - 26.25" (666.8 mm)
- H - 9.06" (230.2 mm)
- J - 10.06" (255.6 mm)
- K - 0.56" (14.3 mm)
- L - see below
- M - 0.62" (15.9 mm)
- N - 4.834" (122.8 mm)
- P - 21.62" (548 mm)
- Q - 27.87" (708.0 mm)
- R - see below

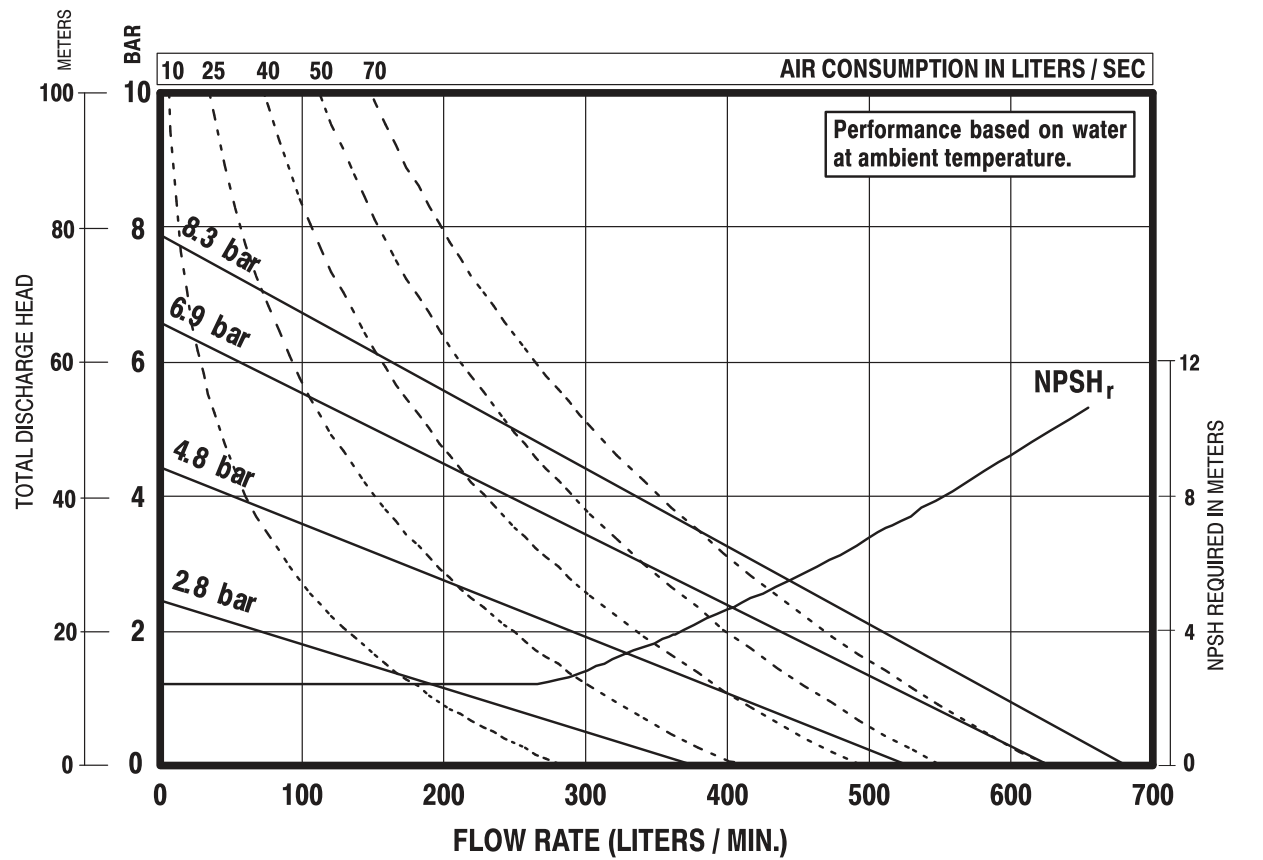
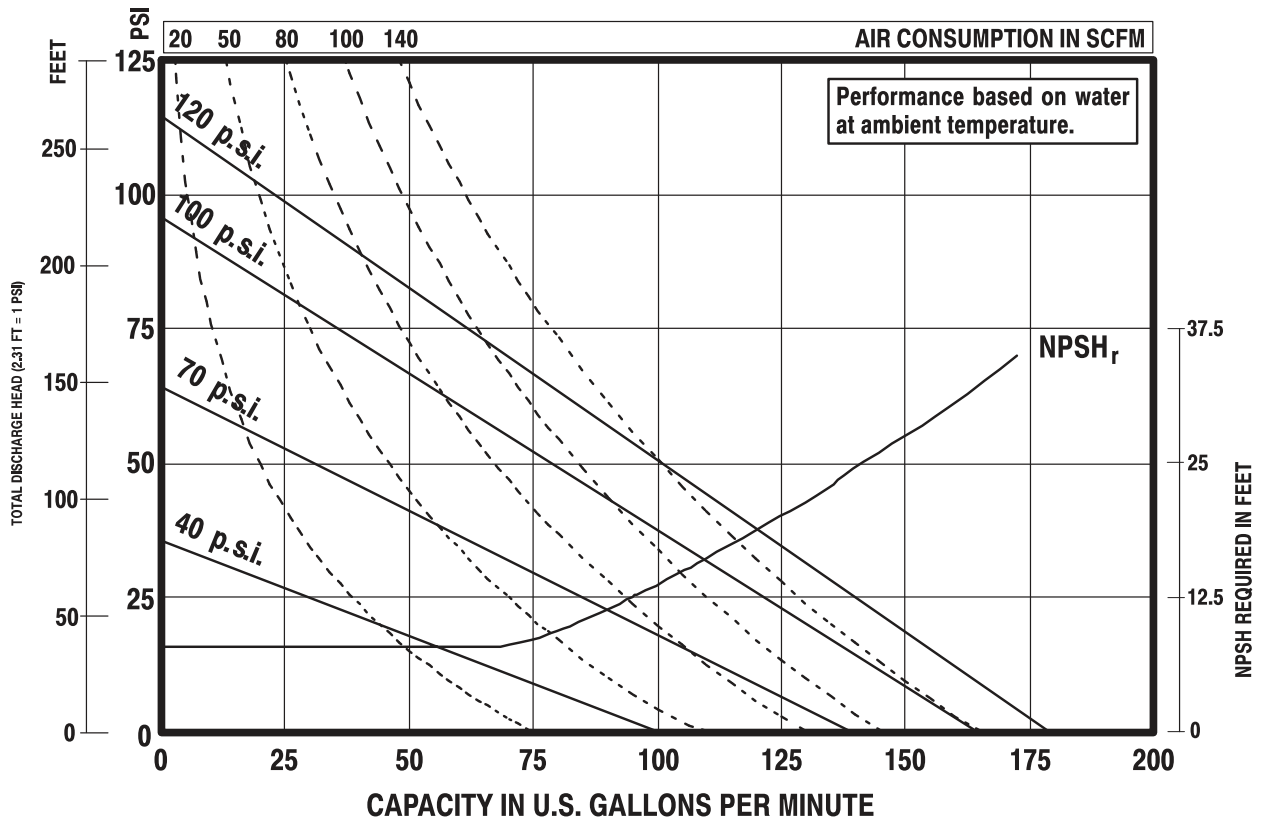
| | "A" | "D" | "L" | "R" |
|--------------------------|-------------------|-----------------|-----------------|-------------------|
| PX20X-XAX-XXX-B() | 19.75" (501.7 mm) | 1.87" (47.6 mm) | 2" (50.8 mm) | 12.93" (328.6 mm) |
| PX20X-XCX-XXX-B() | 19.75" (501.7 mm) | 1.87" (47.6 mm) | 2" (50.8 mm) | 12.93" (328.6 mm) |
| PX20X-AHX-XXX-B(), -BHx | 19.25" (488.7 mm) | 2.5" (63.5 mm) | 2.09" (53.0 mm) | 13.56" (344.5 mm) |
| PX20X-ASX-XXX-B(), -BSX | 19.37" (492.1 mm) | 2.5" (63.5 mm) | 2.09" (53.0 mm) | 13.56" (344.5 mm) |
| PX20X-FHX-XXX-B() | 19.25" (488.7 mm) | 2.5" (63.5 mm) | 3.25" (82.6 mm) | 13.56" (344.5 mm) |
| PX20X-FSX-XXX-B() | 19.37" (492.1 mm) | 2.5" (63.5 mm) | 3.25" (82.6 mm) | 13.56" (344.5 mm) |

NOTE: Dimensions are shown in inches and (mm), supplied for reference only and are typically rounded up to the nearest 1/16 inch.

* Side Discharge Ports are not available on PX20X-XSX-X-B Models.

PERFORMANCE CURVES

PD20X-XXX-XXX-B / PE20X-XXX-XXX-B() / PZ20X-XXX-XXX-B 2" METALLIC DIAPHRAGM PUMP



PUMP SUPPLY
INCORPORATED

Illinois Location:
(847) 841-7867
860 Church Rd Elgin, IL 60120

Minnesota Location:
(651) 758-7867
330 Mill Bay South Suite
Afton, MN 55001

PumpSupplyInc.com

