

# SALES AND ENGINEERING DATA

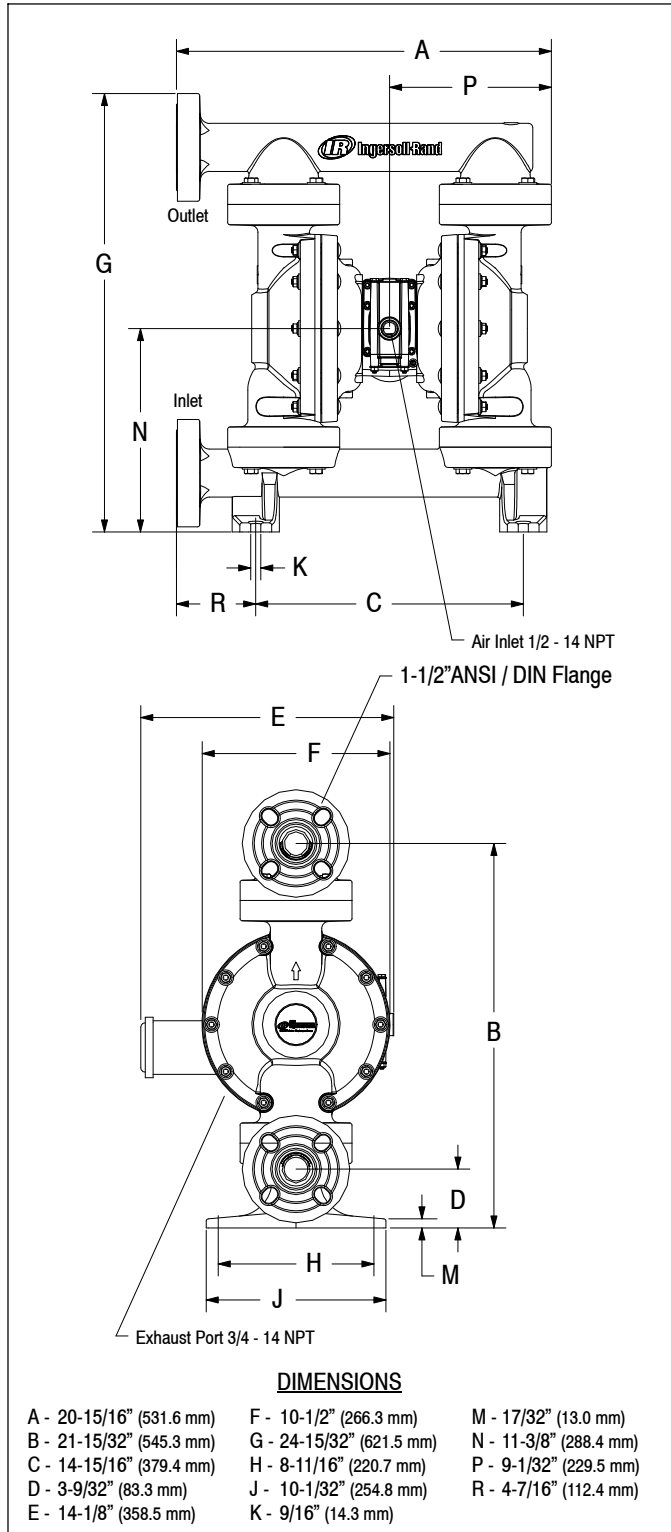
**RATIO SERIES: 1:1**

**FLUID PSIG RANGE: 20 - 120**

RELEASED: 6-16-05  
 REVISED: 5-25-18  
 (REV: F) S-1372

## PD15E-FES-PXX AND PE15E-FES-PXX-XXFX 1-1/2" CONDUCTIVE NON-METALLIC DIAPHRAGM PUMP

### DIMENSIONAL DATA



### SPECIFICATIONS

#### CONSTRUCTION

<b>Model Series</b> .....	PD15E-FES-PXX PE15E-FES-PXX-XXFX
<b>Pump Type</b> .....	Non-Metallic, Air Operated, Double Diaphragm
<b>Ratio</b> .....	1:1
<b>Material Inlet / Outlet (female)</b> .....	1-1/2" ANSI / DIN Flange
<b>Air Inlet (female)</b> .....	1/2 - 14 NPT
<b>Air Exhaust (female)</b> .....	3/4 - 14 NPT
<b>Weight</b> .....	43.14 lbs (19.57 kgs)
<b>Air Section Service Kit</b> .....	637389
<b>Major Air Valve Assembly</b> .....	637390-7
<b>Fluid Section Service Kit</b> .....	637391-XX

**PD15E-FES-P**    
**637391 -**    
 Diaphragm Material  
 Ball Material

EXAMPLE: Model # PD15E-FES-PAA  
 Fluid Section Service Kit is 637391-AA

#### PERFORMANCE

<b>Air Inlet Pressure Range</b> .....	20 - 120 psig (1.4 - 8.3 bar)
<b>Maximum Material Inlet Pressure</b> ..	10 psig (0.69 bar)
<b>Fluid Pressure Range</b> .....	20 - 120 psig (1.4 - 8.3 bar)
<b>Maximum Flow Rate (flooded inlet)</b> ...	123.1 gpm (465.9 lpm)
<b>Displacement / Cycle @ 100 psig</b> ..	0.617 gal. (2.34 lit.)
<b>Maximum Particle Size</b> .....	1/4" dia. (6.4 mm)
<b>Maximum Temperature Limits (diaphragm / ball / seat material)</b>	
E.P.R. / EPDM .....	-60° to 280° F (-51° to 138° C)
Hytrel® .....	-20° to 180° F (-29° to 82° C)
Nitrile .....	10° to 180° F (-12° to 82° C)
Polypropylene .....	35° to 175° F (2° to 79° C)
Santoprene® .....	-40° to 225° F (-40° to 107° C)
PTFE .....	40° to 225° F (4° to 107° C)
Viton® .....	-40° to 350° F (-40° to 177° C)
<b>Noise Level @ 70 psig - 60 cpm</b> ...	81.0 dB(A)①

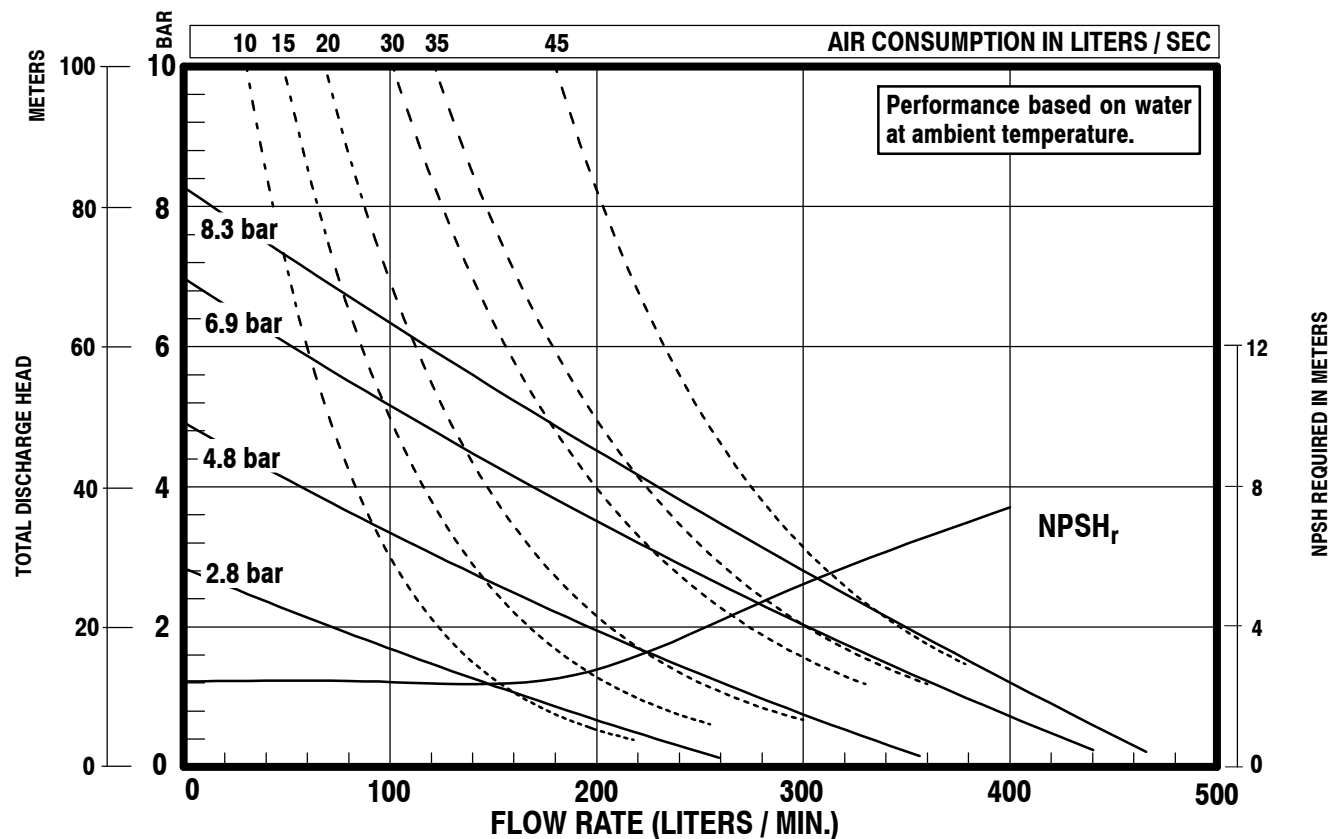
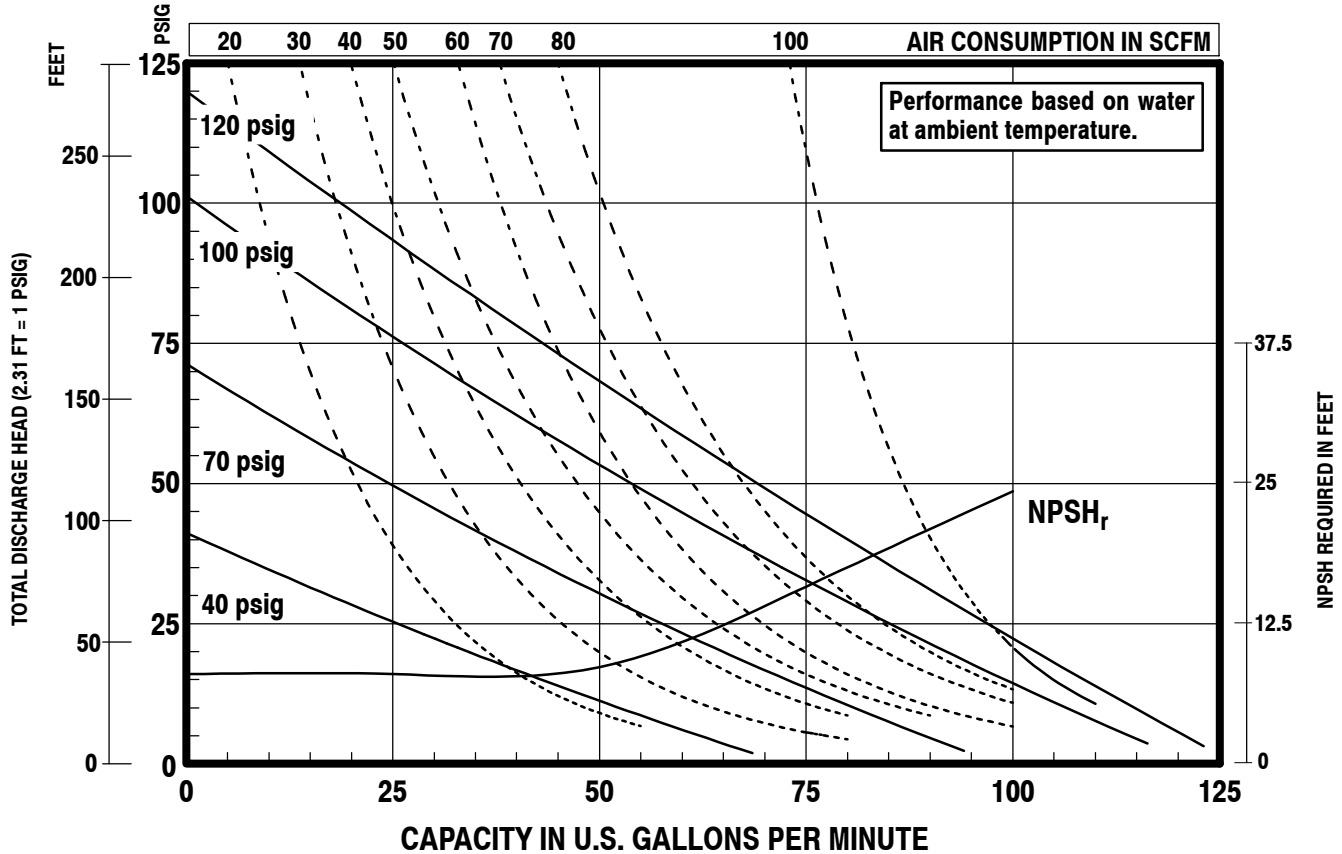
① The pump sound pressure level has been updated to an Equivalent Continuous Sound Level (LA<sub>eq</sub>) to meet the intent of ANSI S1. 13-1971, CAGI-PNEUROPS 5.1 using four microphone locations.  
 NOTE: Performance tested with 95845 Diaphragm Check Valve.



CCN 15244981

**PERFORMANCE CURVES**

**PX15E-FES-PXX 1-1/2" CONDUCTIVE NON-METALLIC DIAPHRAGM PUMP**



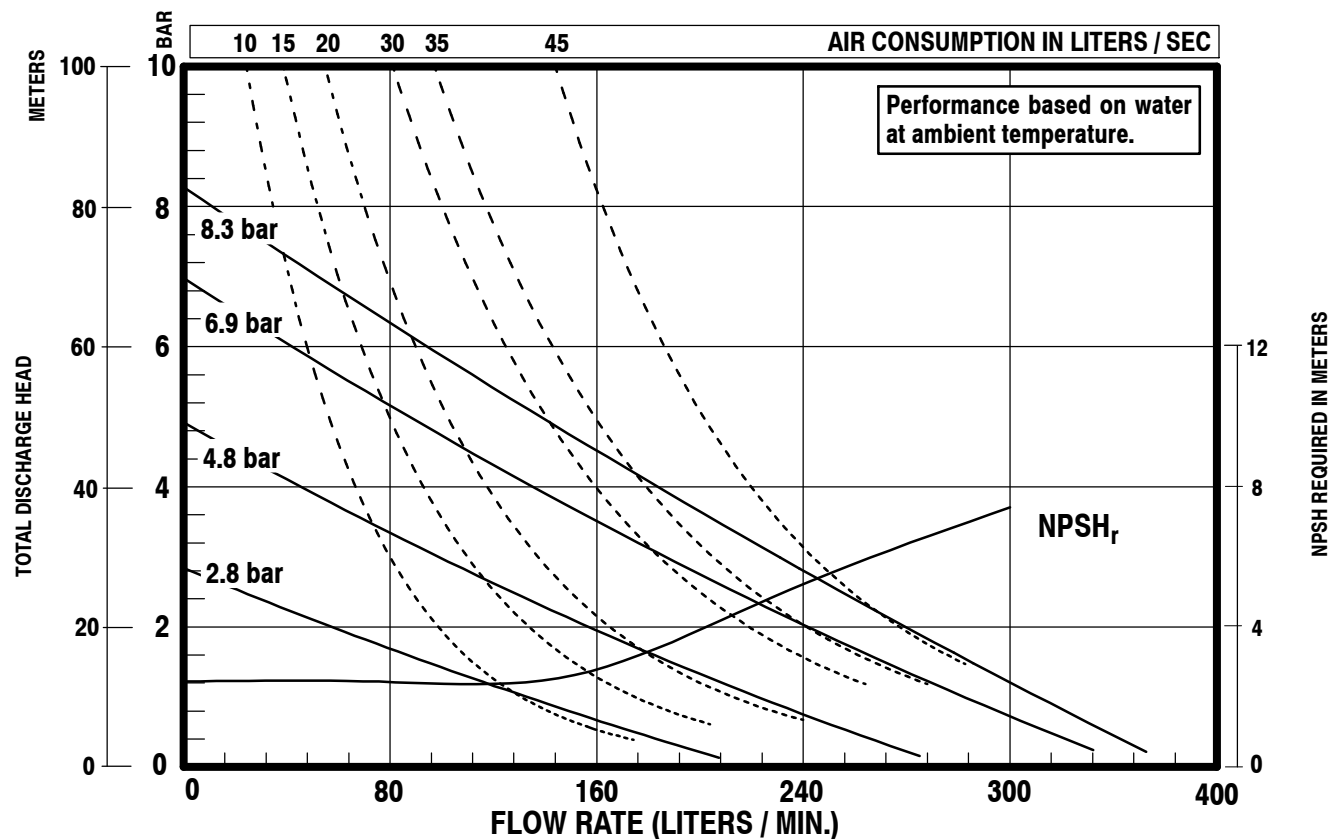
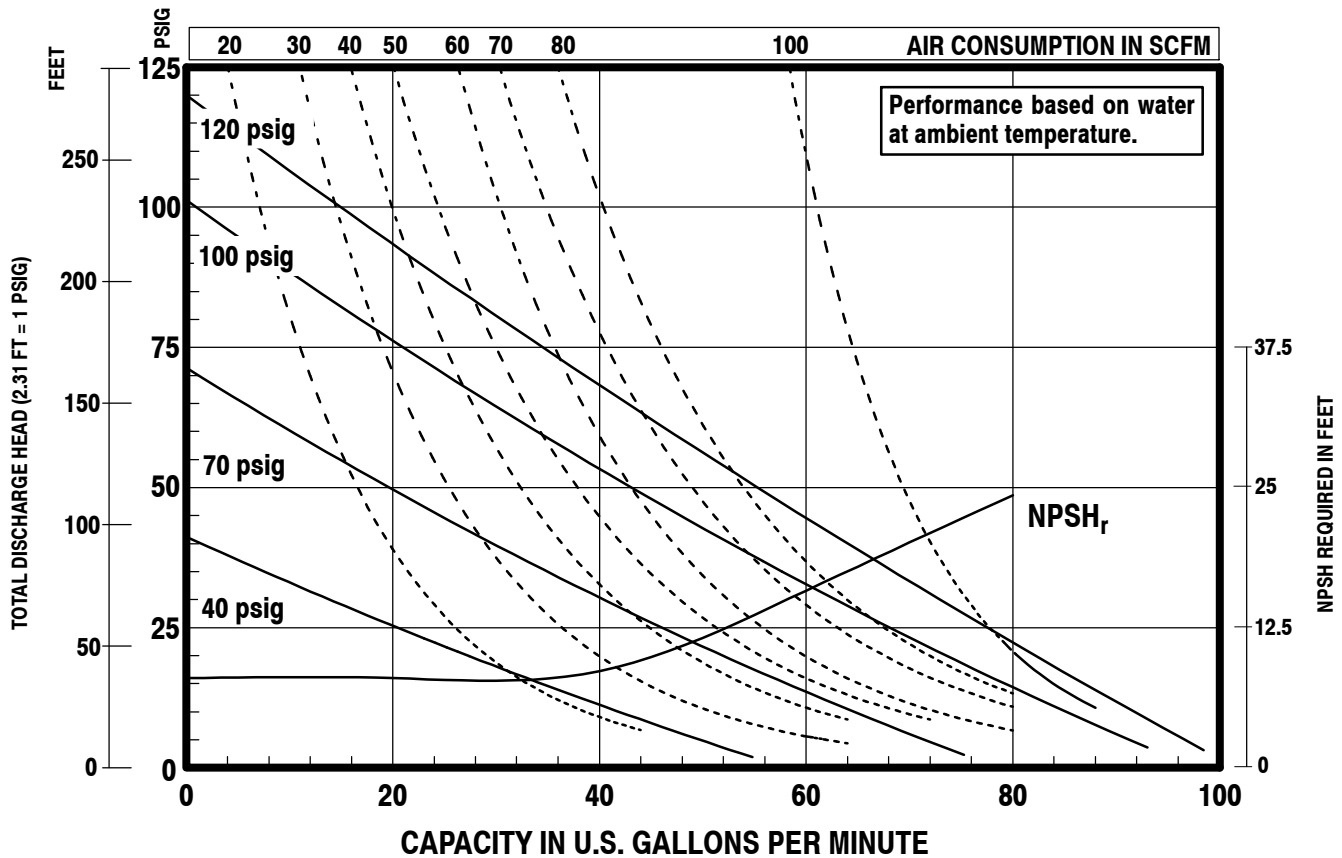
NOTE: Performance tested with 95845 Diaphragm Check Valve.



PD15E-FES-PXX / PE10E-FES-PXX-XXFX - SERIES

**PERFORMANCE CURVES**

**PE15E-FES-PXX-XXFX 1-1/2" CONDUCTIVE NON-METALLIC DIAPHRAGM PUMP**



NOTE: Performance tested with 95845 Diaphragm Check Valve.




PD15E-FES-PXX / PE10E-FES-PXX-XXFX - SERIES

**Illinois Location:**  
(847) 841-7867  
860 Church Rd Elgin, IL 60120

**Minnesota Location:**  
(651) 758-7867  
330 Mill Bay South Suite  
Afton, MN 55001

PumpSupplyInc.com



The image shows a map of the United States with two stars indicating office locations: one in Illinois and one in Minnesota. Below the map is the logo for Pump Supply Incorporated, which consists of a blue triangle containing the letters 'PS' in white, followed by the text 'PUMP SUPPLY INCORPORATED' in a bold, sans-serif font.