

# 1-1/2" Metallic Models

EXP SERIES PUMPS



ARO® 1-1/2" metallic diaphragm pumps achieve flow rates of up to 123.1 GPM (465.9 LPM) and offer a wide array of material and porting configurations. These pumps are often used for transfer, filling, recirculation and batching in paint, oil and gas, chemical and petrochemical markets.

**UPGRADE**  
PUMP FOR REMOTE  
ACTUATION CAPABILITY

Ratio: 1:1  
 Maximum GPM (LPM): 123 (466)  
 Displacement per cycle Gallons (Liters): 0.617 (2.34)  
 Air Inlet (Female): 1/2 - 14 N.P.T.  
 Fluid Inlet/Outlet: 1-1/2" - 11-1/2 N.P.T.F.-1, Rp1-1/2(1-1/2-11BSP)  
 1-1/2" ANSI/DIN hybrid flange  
 Max. operating pressure psi (bar): 120 (8.3)  
 Suspended solids max. dia. in.(mm): 1/4" (6.4)  
 Weight lbs (kg): PX15R-XAX-XXX 37.7 (17.1)  
 PX15R-XCX-XXX 73.2 (33.2)  
 PX15R-XSX-XXX 61.2 (27.8)  
 PX15R-XHX-XXX 86.9 (39.4)  
 Note: add 2.14 lbs (0.97 kg) for aluminum air motor section  
 add 18.14 lbs (8.23 kg) for stainless steel air motor section  
 Maximum dry suction lift ft(m): 14 (4.2)  
 Sound Level: 70 PSI 50 Cycles/Min 81.0 db(A)  
 Muffler Included: 350-568



## Ordering

Position	1	2		3	4	5		6	7	8		9	10	11
Example:	PX15	X	-	X	X	X	-	X	X	X	-	A	X	X

Position 1 Model Series	Position 2 Center Section	Position 3 Connections	Position 4 Wetted Parts	Position 5 Hardware	Position 6 Seat Material	Position 7 Ball Material	Position 8 Diaphragm Material	Position 9
PD15 - Standard Pump PE15 - Electronic Interface Accessible Pump	A - Aluminum* R - Polypropylene S - Stainless Steel*	A - NPTF Thread B - BSP Thread Y† - 1-1/2" ANSI/DIN Hybrid Center Flange † Stainless Steel Only	A - Aluminum* C - Cast Iron H - Hastelloy-C* S - Stainless Steel*	P - Plated Steel S - Stainless Steel	A - Santoprene® C - Hytrel® E - Carbon Steel F - Aluminum G - Nitrile H - 440 Stainless Steel L - Hastelloy-C S - 316 Stainless Steel	A - Santoprene® C - Hytrel® G - Nitrile S - 316 SS T - PTFE V - Viton®	A - Santoprene® C - Hytrel® G - Buna-N L - Long-Life PTFE T - PTFE/Santoprene® V - Viton®	Revision Level <b>Position 10 &amp; 11 Specialty Code</b> Fluid control options for pump with electronic interface (PE15 model). See complete description on page 37

\* Acceptable for use in hazardous locations. - NEC / CEC: Class I&II, Div 1&2, Group A-D  
 - ATEX: Zone 1&2, 21&22

Hytrel® is a registered trademark of DuPont company, Santoprene® is registered trademark of Monsanto and Viton® is a registered trademark of ExxonMobil

## Accessories

Air Line Connection Kit | 66084-1

(Piggyback Filter/Regulator with gauge, pipe nipple and 5-foot air hose)

Diaphragm Failure Detection | 67237

Service Repair Kits | 637389 (air motor for PX15X), 637375-XXX (fluid section with seats), 637390-X (major air valve assembly)





**1-1/2" Metallic Dimensions and Flow Charts**

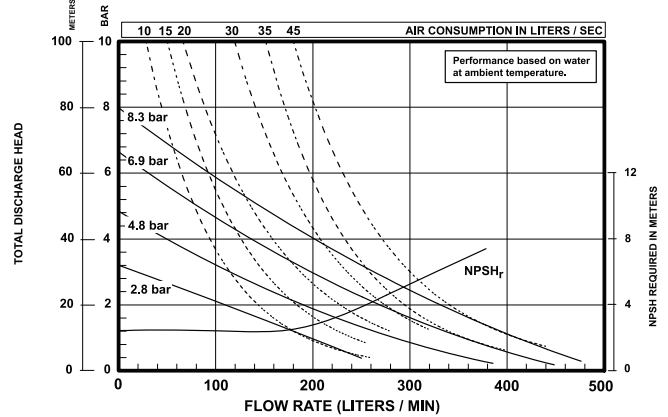
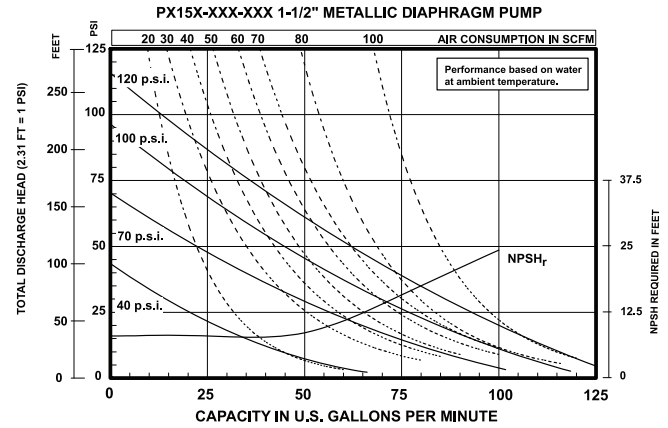
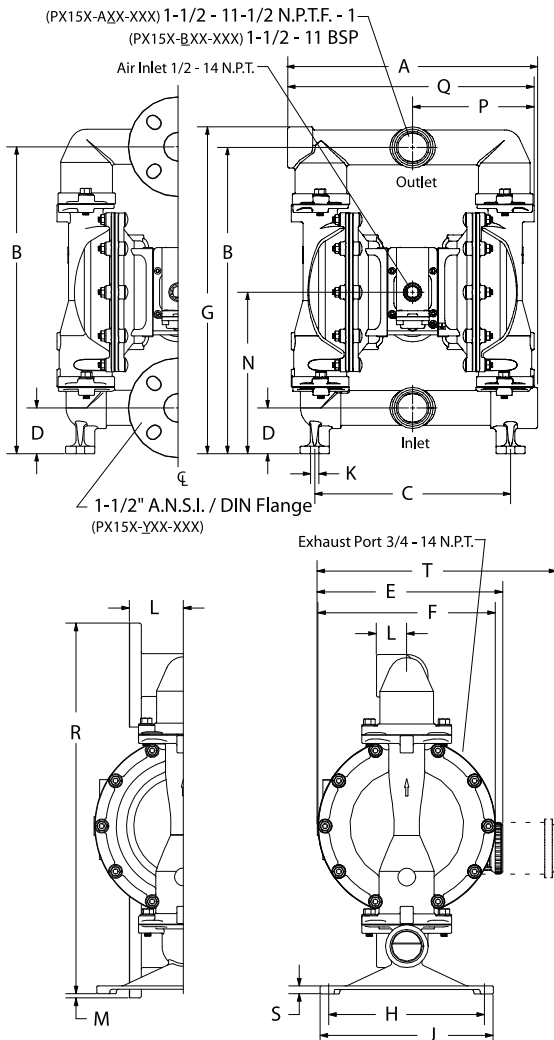
- A - see below
- B - 18-3/8" (466.7 mm)
- C - 11-3/4" (298.5 mm)
- D - 2-3/4" (69.9 mm)
- E - see below
- F - 10-1/4" (260.4 mm)
- G - 19-5/8" (498.1 mm)
- H - 9" (228.6 mm)
- J - 10" (254.0 mm)
- K - 1-1/2" (12.7 mm)
- L - see below
- M - 1/4" (6.4 mm)
- N - 9-11/16" (246.0 mm)
- P - see below
- Q - see below
- R - 21-7/16" (543.9 mm)
- S - see below
- T - see below

	"A"	"L"
PX15X- <u>X</u> AX-XXX	14-7/8" (377.8 mm)	1-3/4" (44.5 mm)
PX15X- <u>X</u> CX-XXX	14-5/8" (371.5 mm)	1-3/4" (44.5 mm)
PX15X- <u>X</u> HX-XXX	14-9/16" (370.0 mm)	3-1/8" (79.4 mm)
PX15X- <u>A</u> SX-XXX, <u>B</u> S X	14-25/32" (375.5 mm)	1-3/4" (44.5 mm)
PX15X- <u>Y</u> SX-XXX	14-9/16" (370.0 mm)	3-1/8" (79.4 mm)

	"E"	"T"
PX15A-XXX-XXX	-----	14-1/32" (356.2 mm)
PX15R-XXX-XXX	11-3/32" (281.3 mm)	-----
PX15S-XXX-XXX	-----	13-27/32" (351.4 mm)

	"P"	"Q"	"S"
7-7/32" (183.4 mm)	14-23/32" (373.9 mm)	1/2" (12.7 mm)	
7-3/16" (182.6 mm)	14-1/2" (368.3 mm)	1/4" (6.4 mm)	
7-3/16" (182.6 mm)	14-1/2" (368.3 mm)	1/4" (6.4 mm)	
7-9/32" (185.0 mm)	14-13/16" (375.5 mm)	15/32" (11.4 mm)	
7-9/32" (185.0 mm)	14-9/16" (370.0 mm)	15/32" (11.4 mm)	

	"E"	"T"
PX15A-XXX-XXX	-----	14-1/32" (356.2 mm)
PX15R-XXX-XXX	11-3/32" (281.3 mm)	-----
PX15S-XXX-XXX	-----	13-27/32" (351.4 mm)



Performance based on an elastomeric fitted pump, flooded suction with water at ambient conditions. Due to varying materials of construction, assembly configurations and operating conditions, published data is for reference only

**Ordering Position 10**

**Specialty Code 1 (Blank if no Specialty Code)**

- A - Solenoid 120VAC
- B - Solenoid 12VDC
- C - Solenoid 240VAC
- D - Solenoid 24VDC
- E - 12vDC NEC/CEC\*
- F - 24vDC NEC/CEC\*
- G - Solenoid 12VDC ATEX/IECex\*
- H - Solenoid 24VDC ATEX/IECex\*
- J - 120VAC NEC/CEC\*
- K - Solenoid 220VAC ATEX/IECex\*
- N - Solenoid with no coil
- O - Standard Valve Block (No Solenoid)
- P - Ported Motor (No major valve provided)

**Ordering Position 11**

**Specialty Code 2 (Blank if no Specialty Code)**

- E - End of stroke feedback + Leak Detection
- F - End of stroke feedback
- G - End of Stroke ATEX/IECex\*
- H - End of Stroke/Leak Detection ATEX/IECex\*
- L - Leak Detection
- M - Leak Detection ATEX/IECex/NEC/CEC\*
- O - No Option
- R - End of Stroke Feedback NEC / CEC\*
- T - End of Stroke Feedback + Leak Detection NEC / CEC\*

\* Acceptable for use in hazardous locations. - NEC / CEC: Class I&II, Div 1&2, Group A-D  
 - ATEX: Zone 1&2, 21&22