

SALES & ENGINEERING DATA

RATIO SERIES: **1:1**

FLUID P.S.I. RANGE: **10 - 100**

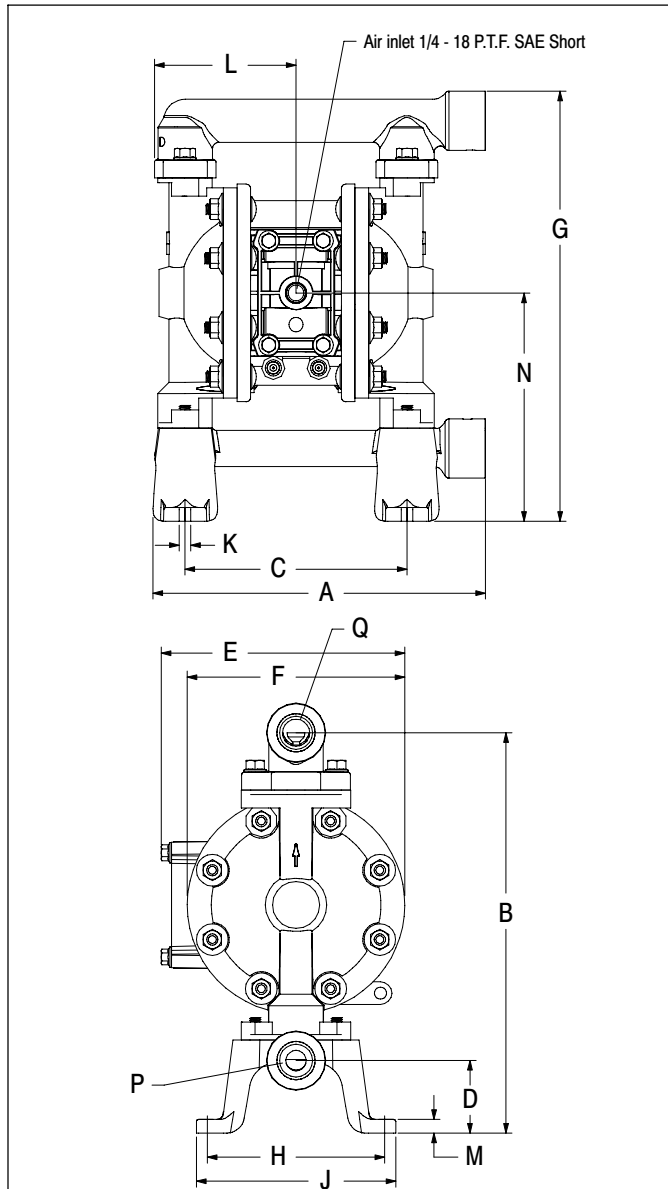
PD07R-XAS-XXX

3/4" METALLIC DIAPHRAGM PUMP



RELEASED: 12-4-06
 REVISED: 9-16-11
 (REV. 04) S-1410

DIMENSIONAL DATA



DIMENSIONS

A - 9-9/32" (235.3 mm)	F - 6" (152.4 mm)	L - 3-29/32" (99.2 mm)
B - 11-1/16" (280.4 mm)	G - 11-7/8" (301.2 mm)	M - 3/8" (9.5 mm)
C - 6-1/8" (155.6 mm)	H - 4-29/32" (124.2 mm)	N - 6-5/16" (159.8 mm)
D - 2" (50.8 mm)	J - 5-1/2" (139.7 mm)	
E - 6-23/32" (170.6 mm)	K - 5/16" (8.0 mm)	

Model	"P" Material Inlet	"Q" Material Outlet
PD07R-AAS-XXX	3/4 - 14 N.P.T.F. - 2	3/4 - 14 N.P.T.F. - 2
PD07R-BAS-XXX	Rp 3/4 (3/4 - 14 BSP)	Rp 3/4 (3/4 - 14 BSP)

NOTE: Dimensions are shown in inches and (mm) and are supplied for reference only.

SPECIFICATIONS

CONSTRUCTION

Model Series	PD07R-XAS-XXX
Pump Type	Metallic, Air Operated, Double Diaphragm
Ratio	1:1
Material Inlet / Outlet (female)	
PD07R-AAS-XXX	3/4 - 14 N.P.T.F. - 2
PD07R-BAS-XXX	Rp 3/4 (3/4 - 14 BSP parallel)
Air Inlet (female)	1/4 - 18 P.T.F. SAE short
Air Exhaust (standard)	internal
(optional)(female)	3/8 - 18 N.P.T.F. - 1
Weight	8.74 lbs (3.96 kgs)
Air Section Service Kit	637428
Fluid Section Service Kit	637427-XX

PD07R-XAS- X X X
637427 - X X X
 Diaphragm Material
 Ball Material
 EXAMPLE: Model #PD07R-AAS-PCC
 Fluid Section Service Kit is 637427-CC

PERFORMANCE

Air Inlet Pressure Range	10 - 100 p.s.i. (0.69 - 6.9 bar)
Maximum Material Inlet Pressure	10 p.s.i. (0.69 bar)
Fluid Outlet Pressure Range	10 - 100 p.s.i. (0.69 - 6.9 bar)
Maximum Flow Rate (flooded inlet)	13.6 g.p.m. (51.5 l.p.m.)
Displacement / Cycle @ 100 p.s.i.	0.030 gal. (0.11 lit.)
Maximum Particle Size	3/32" dia. (2.4 mm)
Maximum Temperature Limits (diaphragm / ball / seat material)	
Hytel	-20° to 150° F (-29° to 66° C)
Polypropylene	35° to 175° F (2° to 79° C)
Santoprene	-40° to 225° F (-40° to 107° C)
PTFE	40° to 225° F (4° to 107° C)
Noise Level @ 70 p.s.i. - 60 c.p.m.①	75.0 db(A)②

Notes:

- ① Tested with 67367 muffler assembly installed.
- ② The pump sound pressure level has been updated to an Equivalent Continuous Sound Level (L_{Aeq}) to meet the intent of ANSI S1. 13-1971, CAGI-PNEUROP S5.1 using four microphone locations.

ACCESSORIES:

- 66073-1 Air Line Connection Kit
- 637438 Ported Exhaust Kit
- 93110 Muffler



PERFORMANCE CURVES

PD07R-XAS-XXX 3/4" METALLIC DIAPHRAGM PUMP

