



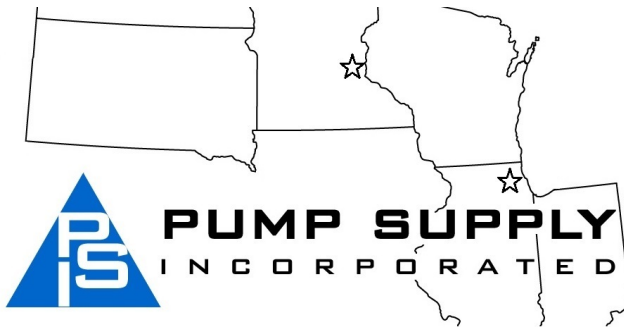
Form 16574832
Edition 1
July 2005

Air Sump Pumps

P237A1-EU and P237A3-EU



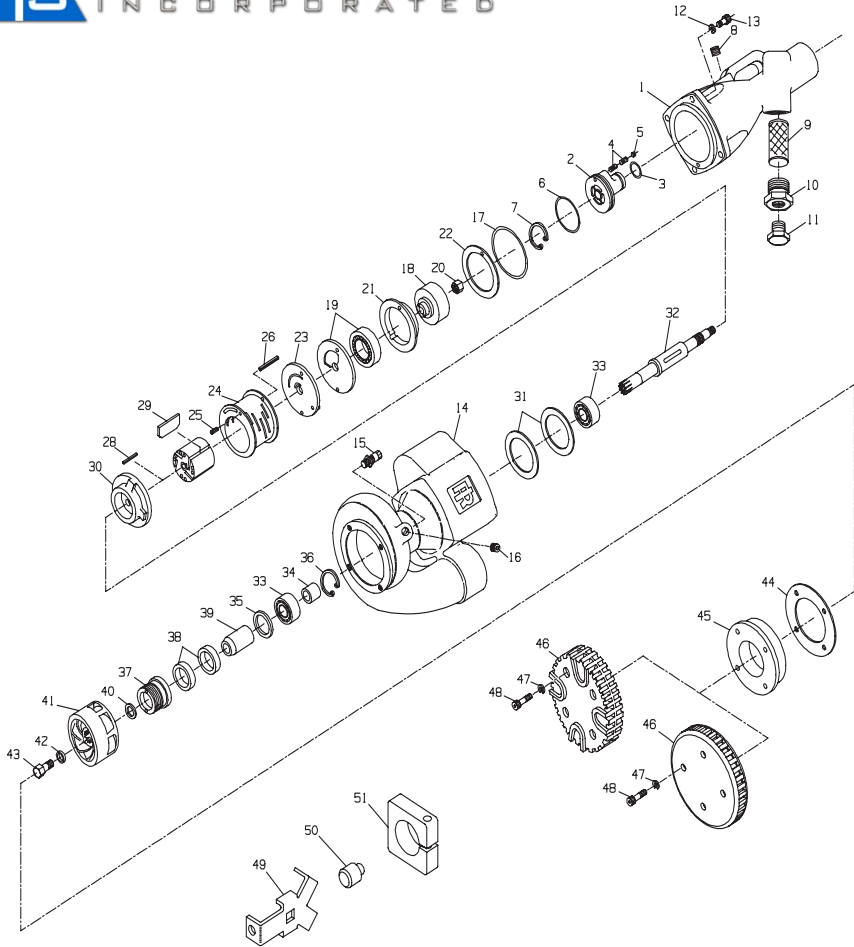
Parts Information



Save These Instructions



P237A1-EU and P237A3-EU Sump Pump Exploded Diagram



(Dwg. TPA1183-2)



P237A1-EU and P237A3-EU Sump Pump Parts List

Item	Part Description	Part Number	Item	Part Description	Part Number
1	Backhead Assembly	P237-A102	40	Impeller Shim (as required)	
2	Oiler Body Assembly	88HL60-A198		.010" thick	P25-151-10
† 3	Oiler Body O-Ring (Small)	88L60-103		.025" thick	P25-151-25
† 4	Oiler Felt (2)	R1-75	41	Impeller	P225-143
5	Oiler Adjusting Screw	R1-71A	42	Impeller Retaining Washer	P225-157
† 6	Oiler Body O-Ring (Large)	WFS182-210	43	Impeller Retaining Screw	P225-156
7	Oiler Body Retainer	88HL60-298	44	Impeller Cover Shim (as required)	
8	Oil Chamber Plug	R2-227		.003" thick (green)	P225-145-3
† 9	Air Strainer Screen	P25-61A		.005" thick (blue)	P225-145-5
10	Air Strainer Cap	P25-268		.010" thick (brown)	P225-145-10
11	Air Strainer Plug	P25-536		.015" thick (pink)	P225-145-15
12	Backhead Lock Washer (4)	34U-58		.025" thick (white)	P225-145-25
13	Backhead Cap Screw (4)	834-638			
14	Housing		45	Impeller Cover	P225-144
	U.S. Standard 2 1/2" Pipe Tap Discharge		46	Inlet	P225-148
	for P237A1-EU	P237-EU-A40	47	Impeller Cover Lock Washer (4)	P225-67
	British 2 1/2" Pipe Tap Discharge		48	Impeller Cover Cap Screw (4)	P225-146
	for P237A3-EU	P237-EU-A240	49	Controller Wrench	99V60-950
15	Grease Fitting	23-188	50	Seal Pressing Tool for Controller	99V60-951
16	Housing Plug	R2-227	51	Bearing Clamp to release Controller	99V60-A952
† 17	Housing Seal	P226-283A	*	Impeller Retaining Washer	P225-157
18	Controller Assembly	99V77-A524	*	Nameplate	P25-EU-99
19	Rotor Bearing Seal Assembly	99V60-A28A	*	Nameplate Screw (4)	PS251-302
20	Controller Retaining Nut	G8-120A	*	Perforated Bottom Plate	P225-147
21	Rotor Bearing Cage	99V60-107A	*	Exhaust Hose Assembly	P225-A184
† 22	Rear End Plate Gasket	99V60-739	*	Exhaust Hose	P25-184
23	Rear End Plate	99V60-A12	*	Exhaust Hose Nipple	P35-46
24	Cylinder Assembly	99V60-A3	*	Air Strainer Nipple	P25-200
25	End Plate Dowel	5040-6	*	Air Inlet Valve	C10-283
26	Cylinder Dowel	502B-120	+ *	Muffler	R21-674
27	Rotor	99V60-53		Discharge Hose (50 feet of 2-1/2" Hose with male and female Coupling)	P25-182-50
† 28	Rotor Key	R43F-70	+ *	Discharge Hose (50 feet of 2-1/2" Hose with female coupling)	P25-181-50
† 29	Vane Packet (set of 4 Vanes)	99V60-42-4	+ *	Fire Hose Adapter (for connecting Discharge Hose with Expansion Ring Coupling to Pump)	P25-183
30	Front End Plate	99V60-11	+ *	Air Inlet Hose Nipple (1" hose to 1" male pipe)	P35-46
31	Motor Clamp Washer (2)	99V60-207	*	Grease Gun	P25-228
32	Rotor Shaft	P226-204			
33	Shaft Bearing (2)	G57E-24			
34	Bearing Spacer	P226-265			
35	Seal Spacer	P226-100			
36	Housing Snap Ring	S12-118			
37	Water Seal Cap Assembly	P226-A115			
† 38	Water Seal (2)	P225-153			
39	Impeller Spacer	P225-152			

† Indicates Tune-up Kit part.

* To keep downtime to a minimum, it is desirable to have on hand certain repair parts. We recommend that you stock one (pair or set) of each part indicated by a bullet (*) for every four tools in service.

* Not illustrated.

+ For use with U.S. Pipe Tap.

Illinois Location:

(847) 841-7867

860 Church Rd Elgin, IL 60123

Minnesota Location:

(651) 758-7867

330 Mill Bay South Suite 1511
Afton, MN 55001

PumpSupplyInc.com



P237A1-EU and P237A3-EU Sump Pump Parts List

Item	Part Description	Part Number	Item	Part Description	Part Number
*	1" Pipe Line Valve	RC5-160	*	Kit (includes 99V60-950, 99V60-951 and 99V60-A952)	99V60-K950
*	Discharge Nipple	P25-135			
*	Expanding Coupling	P25-190	*	Tune-up Kit (includes illustrated parts 3, 4 [2], 6, 9, 17, 22, 28, 29 and 38 [2])	226-TK1
*	Blank Adapter	P25-192			
*	Pipe Line Connector	R44-115			

* Not illustrated.

Parts and Maintenance

When the life of the tool has expired, it is recommended that the tool be disassembled, degreased and parts be separated by material so that they can be recycled.

Tool repair and maintenance should only be carried out by an authorized Service Center.

Refer all communications to the nearest **Ingersoll-Rand** Office or Distributor.

Related Documentation


For additional information refer to:
 Air Sump Pumps Product Safety Information Manual 16576597,
 Air Sump Pumps Product Information Manual 04585154,
 Air Sump Pumps Maintenance Information Manual 16575458.


Manuals can be downloaded from www.irttools.com.

Illinois Location:
 (847) 841-7867
 860 Church Rd Elgin, IL 60120

Minnesota Location:
 (651) 758-7867
 330 Mill Bay South Suite
 Afton, MN 55001

PumpSupplyInc.com





PUMP SUPPLY
 INCORPORATED

