

# P200 PRO SERIES METERING PUMPS

Maximum Flow Rate: 81.0 gph (255.4 lph)  
Maximum Pressure: 1000 psi (69 bar) for Metallic Pump Heads  
350 psi (24 bar) for Non-metallic Pump Heads

**WANNER™** HYDRA-CELL® PRO  
METERING PUMP SOLUTIONS



*Hydra-Cell Pro Metering Solutions pumps meet or exceed API 675 performance standards for Steady-State Accuracy ( $\pm 1\%$ ), Linearity ( $\pm 3\%$ ), and Repeatability ( $\pm 3\%$ ).*

UK  
CA CE

*P200 with Stainless Steel pump head*

## Metering Pump with “Pulse-Free” Linear Flow

- Handles a wide range of fluids from clear water to thick slurries
- Electronic flow control increases accuracy and reliability
- Smaller footprint saves valuable space
- One pump covers a wide range of flows and pressures – reducing inventory requirements with fast, simple field conversion
- Duplexing option doubles capacity and equipment savings
- Hydraulically-actuated, balanced diaphragms provide superior performance across entire pressure range
- Rugged construction with a variety of affordable choices for liquid end, diaphragm and check valve materials
- Seal-less design means no seals, cups, or packing to leak or replace
- A replenishment valve in every piston assembly ensures optimum actuating oil on every stroke for continuous accuracy

**PS** PUMP SUPPLY  
INCORPORATED

**WANNER™**  
PumpSupplyInc.com

# P200 Pro Series Metering | Performance

## Performance

Flows are based upon lab testing of multiple pumps. However, flows listed are approximate values and pumps must be calibrated once installed into any system. Flow variations will occur, but calibration will ensure proper pump performance.

### Maximum Flow (gph) at Designated Pressure (psi)

All Pumps (gph)		Metallic Pump Heads Only (gph)		Pump rpm	Gear Ratio	Motor rpm
100 psi	250 psi	500 psi	1000 psi			
3.378	3.321	3.249	3.128	30	60:1	1800
4.059	3.994	3.911	3.776	36	50:1	
5.072	5.015	4.908	4.748	45	40:1	
6.758	6.686	6.555	6.353	60	30:1	
8.107	8.022	7.873	7.637	72	25:1	
10.130	10.027	9.849	9.563	90	20:1	
13.503	13.369	13.14	12.77	120	15:1	
20.248	20.052	19.73	19.19	180	10:1	
26.993	26.735	26.32	25.62	240	7.5:1	
40.483	40.101	39.49	38.46	360	5:1	
53.97	53.47	52.66	51.30	480	7.5:1	3600
80.95	80.20	79.01	76.98	720	5:1	

### Required Motor hp

1/4	1/2	3/4	1	1-1/2
-----	-----	-----	---	-------

### Maximum Flow (lph) at Designated Pressure (bar)

All Pumps (lph)		Metallic Pump Heads Only (lph)		Pump rpm	Gear Ratio	Motor rpm
7 bar	17 bar	34 bar	69 bar			
10.65	10.48	10.25	9.868	25	60:1	1500
12.81	12.60	12.34	11.91	30	50:1	
16.00	15.82	15.48	14.98	37.5	40:1	
21.32	21.09	20.68	20.04	50	30:1	
25.57	25.31	24.83	24.09	60	25:1	
31.96	31.63	31.07	30.17	75	20:1	
42.59	42.17	41.46	40.29	100	15:1	
63.87	63.25	62.23	60.55	150	10:1	
85.15	84.34	83.01	80.80	200	7.5:1	
127.7	126.5	124.6	121.3	300	5:1	
170.3	168.7	166.1	161.8	400	7.5:1	3000
255.4	253.0	249.2	242.8	600	5:1	

### Required Motor kW

0.18	0.25	0.37	0.55	0.75
------	------	------	------	------



Due to the Wanner Engineering Continuous Improvement Program, specifications and other data are subject to change.

# P200 Pro Series Metering | Performance

## Pump Data

<b>Diaphragms per Liquid End</b>	3
<b>Flow Control</b>	Electronic variable speed drive
<b>Maximum Discharge Pressure</b>	
Metallic Heads:	1000 psi (69 bar)
Non-metallic Heads:	PVDF – 350 psi (24 bar) Polypropylene – 250 psi (17 bar)
<b>Maximum Inlet Pressure</b>	250 psi (17 bar)
<b>Maximum Operating Temperatures</b>	
Metallic Heads:	250°F (121°C)
Non-metallic Heads:	140°F (60°C)
<i>Consult factory for correct metallic head component selection for temperatures from 160°F (71°C) to 250°F (121°C).</i>	
<b>Maximum Solids Size</b>	200 microns
<b>Inlet Port</b>	1/2 inch NPT or BSPT
<b>Discharge Port</b>	3/8 inch NPT or BSPT
<b>Shaft Rotation</b>	Bi-directional
<b>Oil Capacity</b>	1.0 US quarts (0.95 liters)
<b>Weight (less motor)</b>	
Metallic Heads:	41.8 lbs. (19.0 kg)
Non-metallic Heads:	32.8 lbs. (14.9 kg)
<b>Dimensions (less motor)</b>	
Metallic Heads:	15.59" W x 11.68" D x 8.97" H (396.1 mm W x 296.7 mm D x 227.8 mm H)
Non-metallic Heads:	15.59" W x 12.06" D x 8.97" H (396.1 mm W x 306.3 mm D x 227.8 mm H)
<i>For NEMA 56 motor frames only; see page 6 for other motor frame sizes.</i>	

## Accessories, Options and Services

Consult Wanner Engineering for complete details about available accessories and options as well as special services.

- Manifolds and Flanges
- Multiplexing Capability
- Different Gearbox Ratios
- Oil Cooler Systems
- Actuating Oils
- Magnetic Drain Plug
- Motors (Standard/Hazardous-duty)
- Controllers
- Control Freak™ Touch-screen Metering Controller
- SmartDrive Motor-Controller
- Calibration Cylinders
- Back Pressure Valves
- Pressure Relief Valves
- Pulsation Dampeners
- Demonstration (Cutaway) Units
- Testing Services
- System Components, Priming Kits and Plugs
- Replacement Part Kits and Tool Kits
- Customization Services



P200 with Polypropylene pump head

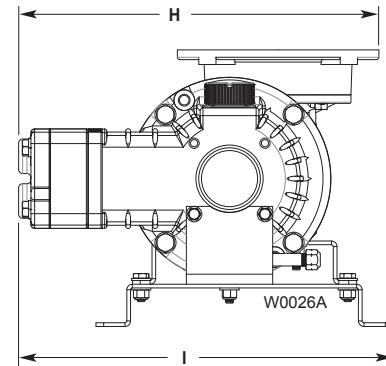
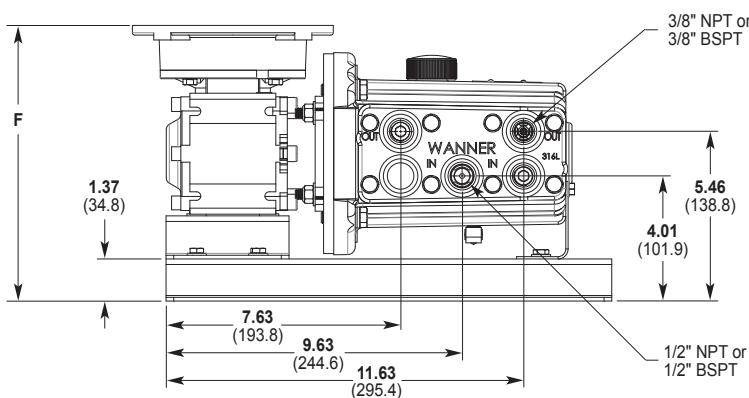
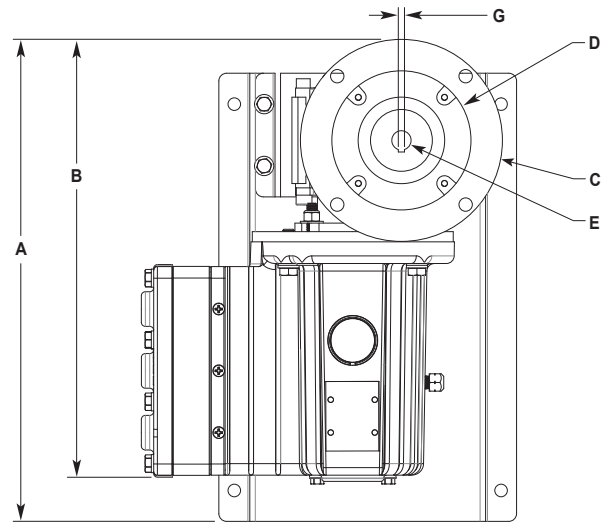
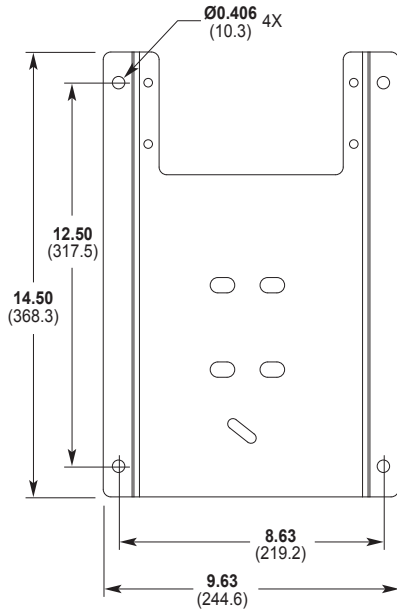


P200 with Brass pump head

Due to the Wanner Engineering Continuous Improvement Program, specifications and other data are subject to change.

# P200 Pro Series Metering | Representative Drawings

## Metallic and Non-metallic Pump Heads Inches (mm)



**Note:** Dimensions are for reference only. Contact factory for certified drawings.

## Dimensions: Inches (mm)

Input Frame Size	A	B	C	D	E	F	G (Square Key)	H		I	
								Metallic Pump Head	Plastic Pump Head	Metallic Pump Head	Plastic Pump Head
NEMA 56C	15.59 (396.1)	14.17 (359.8)	Ø 6.54 (Ø 166)	Ø 4.50 (Ø 114.3)	Ø 0.62 (Ø 15.7)	8.97 (227.8)	0.187 (4.7)	11.68 (296.7)	12.06 (306.3)	12.14 (308.3)	12.51 (317.75)
NEMA 143/145TC	17.53 (445.3)	16.04 (407.4)	Ø 6.54 (Ø 166.1)	Ø 4.50 (Ø 114.3)	Ø 0.88 (Ø 22.3)	11.09 (281.7)	0.187 (4.7)	11.68 (296.7)	12.06 (306.3)	12.14 (308.3)	12.51 (317.75)
IEC 63 B5	15.08 (383)	13.65 (346.7)	Ø 5.51 (Ø 140)	Ø 3.74 (Ø 95)	Ø 0.43 (Ø 11)	8.80 (223.5)	0.157 (4)	11.17 (283.7)	11.55 (293.4)	12.14 (308.3)	12.51 (317.75)
IEC 71 B5	15.48 (393.1)	14.05 (356.7)	Ø 6.30 (Ø 160)	Ø 4.33 (Ø 110)	Ø 0.55 (Ø 14)	8.80 (223.5)	0.196 (5)	11.56 (293.6)	11.94 (303.3)	12.14 (308.3)	12.51 (317.75)
IEC 80 B5	16.26 (413)	14.835 (376.7)	Ø 7.87 (Ø 200)	Ø 5.12 (Ø 130)	Ø 0.75 (Ø 19)	8.80 (223.5)	0.236 (6)	12.35 (313.7)	12.72 (323)	12.14 (308.3)	12.51 (317.75)
IEC 90 B5	16.26 (413)	14.835 (376.7)	Ø 7.87 (Ø 200)	Ø 5.12 (Ø 130)	Ø 0.94 (Ø 24)	9.24 (234.7)	0.314 (8)	12.35 (313.7)	12.72 (323)	12.14 (308.3)	12.51 (317.75)

# P200 Pro Series Metering | How to Order

## Ordering Information

A complete pump order number contains 13 digits based on the specified pump materials listed below.

1	2	3	4	5	6	7	8	9	10	11	12	13
P	2	0	0									

Digit	Order Code	Description
1-4	<b>P200</b>	<b>Pump Configuration</b> For all P200 Pumps (Non Kel-Cell)
5	<b>N</b> <b>M</b> <b>X</b>	<b>Pump Version</b> NPT Ports (NEMA motors only) BSPT Ports (IEC motors only) ATEX BSPT Ports (IEC motors only)
6	<b>B</b> <b>M</b> <b>P</b> <b>S</b> <b>T</b>	<b>Pump Head / Retainer Material</b> Brass / Hastelloy C PVDF / PVDF Polypropylene / Polypropylene 316L Stainless Steel / Hastelloy C Hastelloy C / Hastelloy C
7	<b>A</b> <b>M</b> <b>E</b> <b>X</b> <b>J</b> <b>P</b> <b>T</b>	<b>Diaphragm &amp; O-ring Material / Oil<sup>▲</sup></b> Aflas / PTFE O-ring (Synthetic oil) Aflas / PTFE O-rings & FKM drive case elastomers (Mesamoll oil) EPDM (EPDM-compatible oil) FKM (Synthetic oil) PTFE (Food-contact oil) Neoprene (Synthetic oil) Buna-N (Synthetic oil)
8-9	<b>SS</b> <b>TT</b> <b>SC</b> <b>TC</b>	<b>Check Valve Material</b> <b>(Valve Spring / Valve Seat / Valve)</b> Elgiloy / 316L SST / Nitronic 50 Hastelloy C / Hastelloy C / Hastelloy C Elgiloy / Ceramic / Ceramic Hastelloy C / Ceramic / Ceramic
10-12	<b>060</b> <b>050</b> <b>040</b> <b>030</b> <b>025</b> <b>020</b> <b>015</b> <b>010</b> <b>007</b> <b>005</b> <b>A05</b>	<b>Gearbox Ratio / NEMA Motors</b> 60:1 (56C Motor Frame) 50:1 (56C Motor Frame) 40:1 (56C Motor Frame) 30:1 (56C Motor Frame) 25:1 (56C Motor Frame) 20:1 (56C Motor Frame) 15:1 (56C Motor Frame) 10:1 (56C Motor Frame) 7.5:1 (56C Motor Frame) 5:1 (56C Motor Frame) 5:1 (143/145TC Motor Frame)

Digit	Order Code	Description
10-12	<b>060</b> <b>050</b> <b>040</b> <b>B40</b> <b>030</b> <b>B30</b> <b>025</b> <b>020</b> <b>B20</b> <b>015</b> <b>A15</b> <b>010</b> <b>A10</b> <b>B10</b> <b>007</b> <b>A07</b> <b>B07</b> <b>C07</b> <b>005</b> <b>A05</b> <b>B05</b>	<b>Gearbox Ratio / IEC Motors</b> 60:1 (63 B5 Motor Frame) 50:1 (63 B5 Motor Frame) 40:1 (63 B5 Motor Frame) 40:1 (80 B5 Motor Frame) 30:1 (63 B5 Motor Frame) 30:1 (80 B5 Motor Frame) 25:1 (63 B5 Motor Frame) 20:1 (63 B5 Motor Frame) 20:1 (80 B5 Motor Frame) 15:1 (63 B5 Motor Frame) 15:1 (71 B5 Motor Frame) 10:1 (63 B5 Motor Frame) 10:1 (71 B5 Motor Frame) 10:1 (80 B5 Motor Frame) 7.5:1 (63 B5 Motor Frame) 7.5:1 (71 B5 Motor Frame) 7.5:1 (80 B5 Motor Frame) 7.5:1 (90 B5 Motor Frame) 5:1 (63 B5 Motor Frame) 5:1 (71 B5 Motor Frame) 5:1 (80 B5 Motor Frame)
13	<b>C</b> <b>S</b>	<b>Base Plate</b> Carbon Steel (Epoxy painted) 304 Stainless Steel

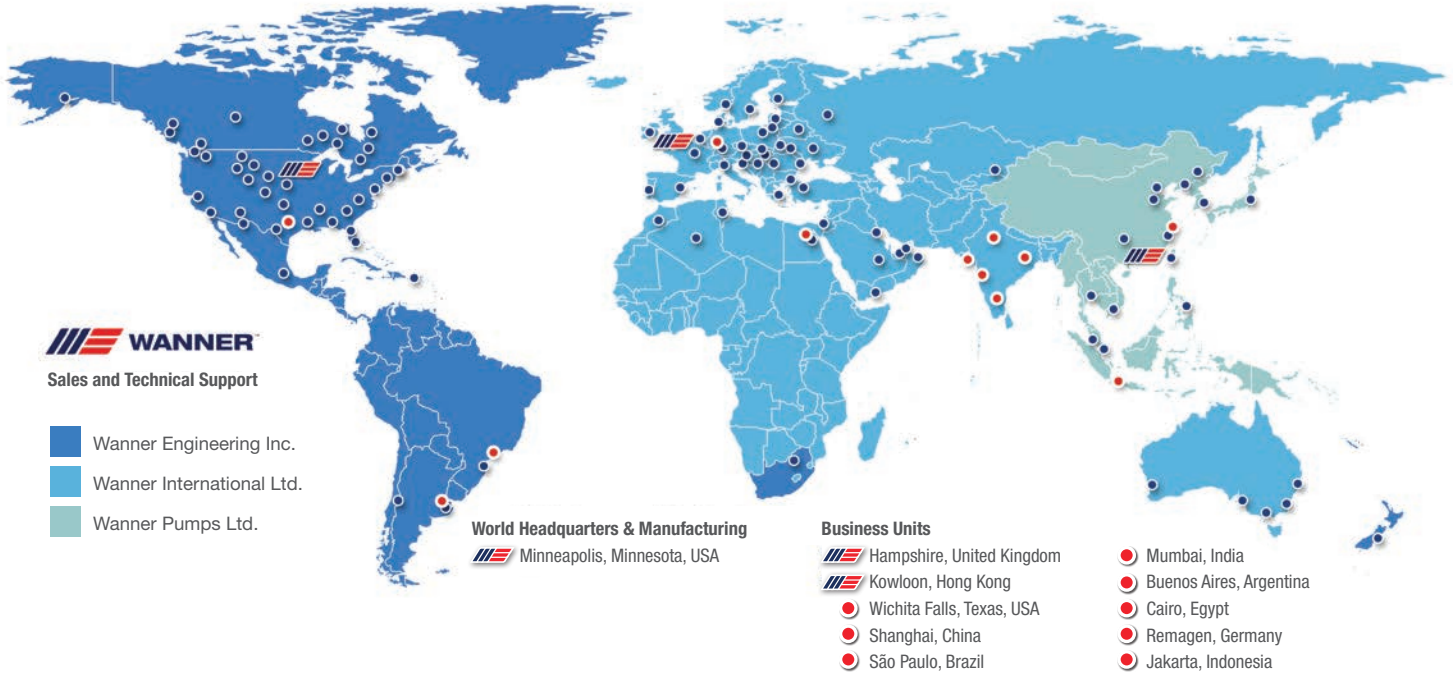
<sup>▲</sup> See price list for different actuating oils available with these materials.



# WANNER™ HYDRA-CELL® PRO

SEAL-LESS PUMP TECHNOLOGIES

## Partners in over 70 countries



## Wanner worldwide

GLOBAL SALES & TECHNICAL SUPPORT

**Illinois Location:**  
(847) 841-7867  
860 Church Rd Elgin, IL 60120

**Minnesota Location:**  
(651) 758-7867  
330 Mill Bay South Suite  
Afton, MN 55001

PumpSupplyInc.com

**PUMP SUPPLY**  
INCORPORATED

