



Model OGT1022CO

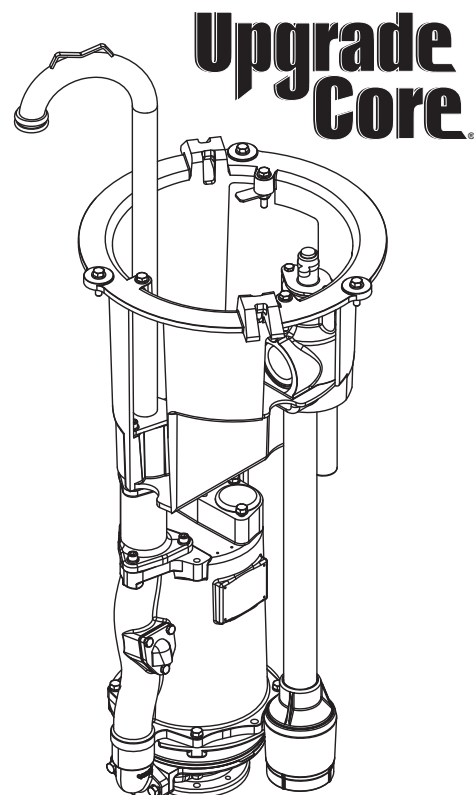
Fixed Discharge Upgrade Core

www.cranepumps.com

Submersible Grinder Pumps

Specifications:

DISCHARGE	1¼" Tubing, Vertical, Bolt-on Flange
LIQUID TEMPERATURE	104°F (40°C) Continuous
VOLUTE	Cast Iron ASTM A-48, Class 30
MOTOR HOUSING	Cast Iron ASTM A-48, Class 30
SEAL PLATE	Cast Iron ASTM A-48, Class 30
IMPELLER	Stainless Steel
SHREDDING RING	Hardened 440C Stainless Steel Rockwell® C-55.
CUTTER	Hardened 440C Stainless Steel, Rockwell® C-55.
SHAFT	416 Stainless Steel
SQUARE RINGS	Buna-N
O-RINGS	Buna-N
HARDWARE	300 Series Stainless Steel
PAINT	Air Dry Enamel.
SEAL:	
<i>Design</i>	Single Mechanical
<i>Material</i>	Rotating Faces - Silicon-Carbide Stationary Faces - Silicon-Carbide Elastomer - Buna-N Hardware -300 Series Stainless
CORD ENTRY	15 ft. (4.5m) Std. Cord. Custom Molded Quick Connect, for Sealing and Strain Relief (EQD Optional)
CORD	
<i>Automatic</i>	CSA/UL Approved 12/5 Type SOW
UPPER BEARING:	
<i>Design</i>	Single Row
<i>Lubrication</i>	Oil
<i>Load</i>	Radial
LOWER BEARING:	
<i>Design</i>	Single Row
<i>Lubrication</i>	Oil
<i>Load</i>	Radial & Thrust
MOTOR:	
<i>Design</i>	Oil-Filled, Squirrel Cage Induction
<i>Insulation</i>	Class F
SINGLE PHASE	Capacitor Start/Capacitor Run
SUPPORT POD	Engineered Polyamide Pod, Stainless Hardware and Polypropylene Rope
LEVEL CONTROL:	
<i>Standard</i>	Model ESPS-150E, Environmentally sealed pressure switch with CPVC housing, HNBR diaphragm, Custom Molded Quick Connect for Sealing and Strain Relief
<i>Optional</i>	SensaPRO, Mechanical Level Control with custom molded quick connect for sealing and strain relief.
CHECK VALVE	
<i>Body</i>	Integrated PA Composite
<i>Seat</i>	ASTM C836
<i>Flap</i>	Fiber Reinforced Buna
RECOMMENDED	
<i>Seal/Overhaul Kit PN</i>	138085A



Series: OGT1022CO
1HP, 3450RPM, 60Hz
Upgrade Core with Level Control (Standard ESPS shown, SensaPRO optional)

DESCRIPTION:

THE GRINDER PUMP IS DESIGNED TO REDUCE DOMESTIC SEWAGE TO A FINELY GROUND SLURRY.



WARNING:
 CANCER AND REPRODUCTIVE HARM -
 WWW.P65WARNINGS.CA.GOV



CRANE

PUMPS & SYSTEMS

SECTION A
PAGE 25
DATE 3/19

A Crane Co. Company

Model OGT1022CO

Fixed Discharge Upgrade Core



www.cranepumps.com

Submersible Grinder Pumps

inches
(mm)

(Standard ESPS shown, SensaPRO optional)

OPTIONAL INDOOR REMOTE ALARM LIGHT		
	PART NO.	PLATE COLOR
	130849B	ALMOND
	130849W	WHITE
	130849S	STAINLESS

(Ordered Separately)

MODEL NO	PART NO	HP	VOLT/PH	Hz	RPM (Nom)	NEMA START CODE	FULL LOAD AMPS	LOCKED ROTOR AMPS	CORD SIZE	CORD TYPE	CORD O.D. ± .02 (.5) in (mm)	OPTIONAL EQD
OGT1022CO	140842	1	240/1	60	3450	K	12.5	35.0	12/5 - 15'	SOW	.71 (18)	None
OGT1022CO	140842XC	1	240/1	60	3450	K	12.5	35.0	12/5 - 30'	SOW	.71 (18)	None
OGT1022CO	140842E	1	240/1	60	3450	K	12.5	35.0	12/5 - 15'	SOW	.71 (18)	2000 Series
OGT1022CO	140842EXC	1	240/1	60	3450	K	12.5	35.0	12/5 - 30'	SOW	.71 (18)	2000 Series
OGT1022CO	140842T	1	240/1	60	3450	K	12.5	35.0	12/5 - 15'	SOW	.71 (18)	Extreme Series
OGT1022CO	140842TXC	1	240/1	60	3450	K	12.5	35.0	12/5 - 30'	SOW	.71 (18)	Extreme Series

NOTE: ADD 'P' SUFFIX TO PART NUMBER FOR SENSAPRO MECHANICAL LEVEL CONTROL OPTION.

IMPORTANT !

- 1.) PUMP MAY BE OPERATED "DRY" FOR EXTENDED PERIODS WITHOUT DAMAGE TO MOTOR AND/OR SEALS.
- 2.) INSTALLATIONS SUCH AS DECORATIVE FOUNTAINS OR WATER FEATURES PROVIDED FOR VISUAL ENJOYMENT MUST BE INSTALLED IN ACCORDANCE WITH THE NATIONAL ELECTRIC CODE ANSI/NFPA 70 AND/OR THE AUTHORITY HAVING JURISDICTION. THIS PUMP IS NOT INTENDED FOR USE IN SWIMMING POOLS, RECREATIONAL WATER PARKS, OR INSTALLATIONS IN WHICH HUMAN CONTACT WITH PUMPED MEDIA IS A COMMON OCCURRENCE.

SECTION A
PAGE 26
DATE 9/18



PUMPS & SYSTEMS

A Crane Co. Company

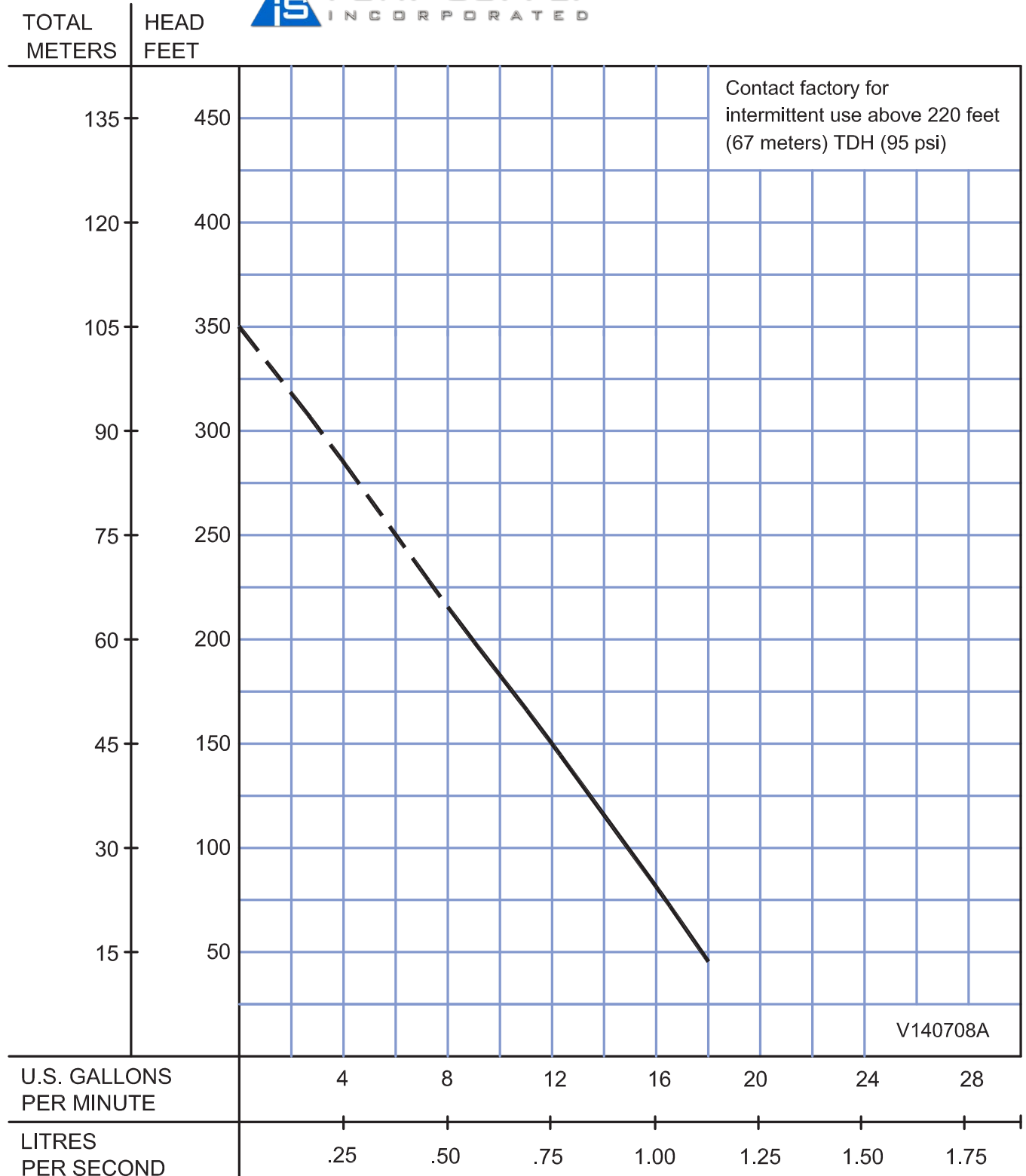


www.cranepumps.com

Model OGT1022CO

Fixed Discharge Upgrade Core
Performance Curve 1HP, 3450RPM, 60Hz

Submersible Grinder Pumps



Testing is performed with water, specific gravity 1.0 @ 68° F @ (20°C), other fluids may vary performance



A Crane Co. Company

PUMPS & SYSTEMS

SECTION A
PAGE 27
DATE 11/16