

BARNES[®]
BY CRANE PUMPS & SYSTEMS

SH SERIES



BARNES® SH SERIES PUMPS

Barnes Submersible Solids Handling impellers are designed for outstanding clogging resistance and true pumping efficiency. For even the toughest wet-well application the Barnes SH Series offers reduced maintenance costs and clog resistance hydraulics.

True Pumping Efficiency

The SH design utilizes vortex, monovane, or dual or tri vane to provide less clogging:

- Minimum 3" spherical solids handling capability on most pumps (2½" on 3SHMP)
- Pump-out vanes protect the mechanical seal area

Extended Motor Life

The SH is optimized for variable speed drive:

- Inverter Duty Rated motors per NEMA MG1 Part 31 for dependable VFD operation
- Oil-filled motor preserves motor life

Designed for Longer Life

SH mechanical seals and bearing system reduce maintenance

- Grit-resistant silicon carbide or tungsten carbide
- Heavy duty shaft design to minimize deflection
- Standard, non-proprietary seals - readily available
- Oil lubrication provides superior bearing life compared to grease
- Bearing ratings of 50,000 hours at minimum flow (2.0 fps)

Designed for Tough Wet Well Environments

The SH uses components and coating systems to provide outstanding corrosion resistance:

- Two coats of Axalta Corlar® modified polyamide epoxy
- The pump shaft, all fasteners and the large lifting bail are corrosion-resistant stainless steel

Best in class Lead Times

The SH is manufactured in the U.S.A. and utilizes lean manufacturing to eliminate downtime.

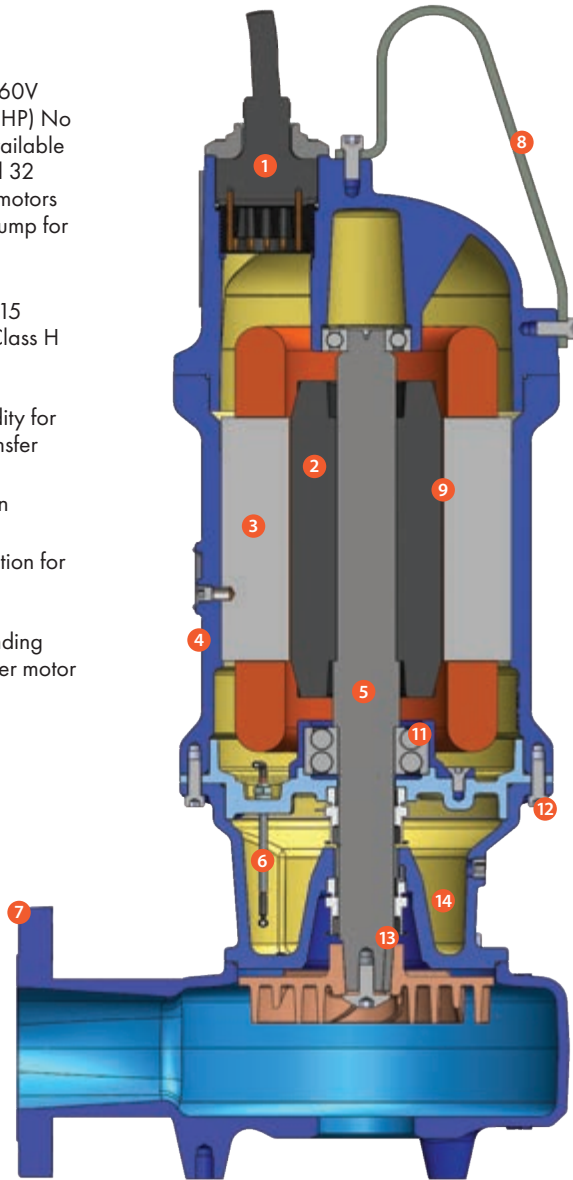
Plug-n-Play Cord Entry

The SH cords combines power, temperature sensing and moisture sensor conductors into a single cable for simplified installations and quick repairs.



BARNES®

- 1** 18 and 21 Frame: 208-230V and 460V selection via Cord & Plug (Up to 20 HP) No internal wiring changes required, Available to 30HP at 460V and 575V. 28 and 32 Frame: (not shown): Single-voltage motors 25-150 HP a plug connects to the pump for simplified installation and removal.
- 2** Inverter Duty Rated motor, 1.2 or 1.15 service factor, Class F system with Class H magnet wire
- 3** Pressed stator provides greater rigidity for better seal life and optimal heat transfer
- 4** Smooth castings for easy washdown
- 5** Large shaft diameter reduces deflection for longer seal life
- 6** Moisture detection probe alerts pending seal problems before water can enter motor
- 7** Slotted discharge for both ANSI and ISO flanges



- 8** Large corrosion resistant stainless steel lifting bail
- 9** Oil-filled motor for optimal motor cooling and maximum bearing life
- 10** 2 coats of Axalta Corlar® * epoxy coating
- 11** High capacity bearings to optimize life; 50,000 Hour life at 2 fps flow
- 12** Stainless steel hardware for corrosion resistance
- 13** Tapered, keyed shaft reduces vibration for increased seal life
- 14** Large capacity seal chamber with moisture detector for cool-running seals

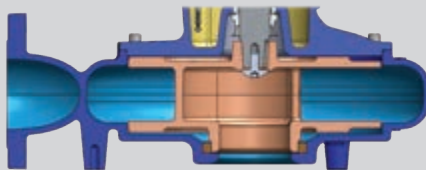
Optional moveable adapters to match Barnes and competitor base elbows both inches and metric (not shown)

Optional bolt-on feet for free-standing installations (not shown)

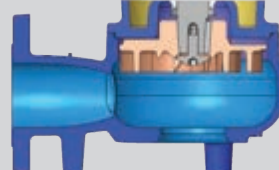
Optional Class I Group C&D Div. 1 X-Pruf®

*Axalta Coating Systems
 This product may be covered by one or more of the following patents and other patent(s) pending: US Patent 7,931,473, 8,120,360

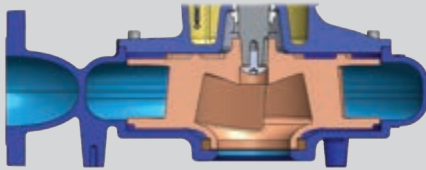




SHM - Monovane Impeller balancing efficiency and clog resistance



SHV - Patented Vortex Impeller has superior solids handling capabilities for sewage and stringy solids



SHD/SHT - Dual Vane and Tri Vane Impellers have high efficiency configurations that handle 3" solids, lower solids with 3" pump sizes



PUMPS & SYSTEMS

Illinois Location:

(847) 841-7867

860 Church Rd Elgin, IL 60123

Minnesota Location:

(651) 758-7867

330 Mill Bay South Suite 1511
Afton, MN 55001

PumpSupplyInc.com



BARNES®

BURKS®

CROWN®

DEMING®

PROSSER®

WEINMAN®