

# **mody** ELECTRIC SUBMERSIBLE NON-CLOG SLUDGE PUMP

## **NC SERIES**

**PORTABLE ELECTRIC  
SUBMERSIBLE SLUDGE PUMP  
FOR  
CORROSIVE & ABRASIVE  
APPLICATIONS**

**6 HP (4.5kW)**

**NC 06**

**4" (100mm) Flange or Hose**

**8 HP (6kW)**

**NC 08**

**4" (100mm) Flange or Hose**

**10 HP (7.5kW)**

**NC 10**

**4" (100mm) Flange or Hose**



## **NON-CLOG SLUDGE SERIES DESIGN ADVANTAGES**

- Stainless Steel Volute, Shaft, Impeller, Outlet and Hardware for maximum corrosion resistance.
- Choice of impeller materials:
  - 1) 316 Stainless Steel for sea water and corrosive applications and;
  - 2) Nitride Hardened 410 Stainless Steel for abrasive applications. (Standard)
- Tandem Tungsten Carbide/Tungsten Carbide and Tungsten Carbide/Tungsten Carbide mechanical seals.
- Mechanical Seals in wholly enclosed pressure compensated oil chamber.
- Built-in Automatic ON/OFF/ON thermal overload switches protect the motor. Thermal Protectors wired directly to built-in contactor for maximum reliability.
- Optional moisture sensor that detects progressive seal wear and automatically shuts down the pump. (External Relay Required)
- Replaceable Nitrile Rubber-lined Wear Plate Optimizes efficiency throughout the life of the pump.
- Equipped with Sacrificial Zinc Anodes for maximum life in a saline fluid environment.
- Available in 316 Stainless Steel Construction with Silicon Carbide/Silicon Carbide Mechanical Seals and Viton® Elastomers.

**Illinois Location:**

(847) 841-7867

860 Church Rd Elgin, IL 60120

**Minnesota Location:**

(651) 758-7867

330 Mill Bay South Suite  
Afton, MN 55001

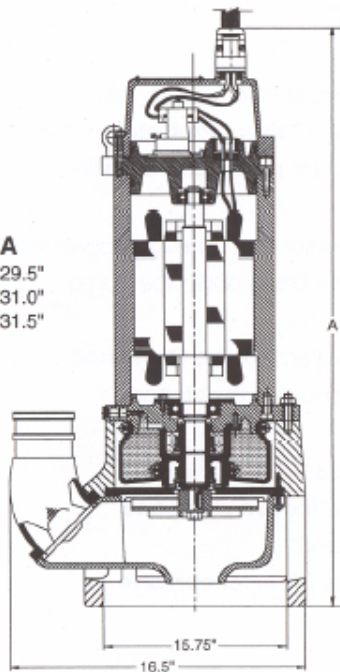
PumpSupplyInc.com



# mody ELECTRIC SUBMERSIBLE NON-CLOG SLUDGE PUMP

## NON-CLOG SLUDGE SERIES 6HP(4.5kW) | 8HP(6kW) | 10HP(7.5kW)

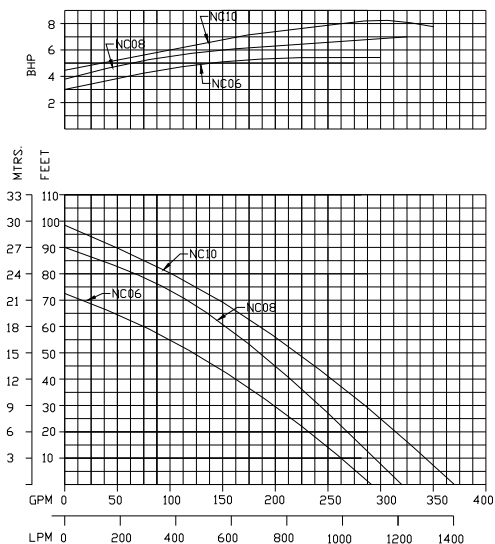
Model	A
NC-06360M	29.5"
NC-08360M	31.0"
NC-10360M	31.5"



Max. Sphere Size 2.5"/65mm

### PERFORMANCE CURVES

MODEL: NC 06M/08M/10M (50/60 Hz)



## NON-CLOG SERIES

### MATERIALS OF CONSTRUCTION AND ENGINEERING DATA

#### MOTOR

2-pole induction **continuous rated** motor with squirrel cage rotor.  
 Stator insulation class 'H' (180°C)  
 Speed : 3400 RPM @ 60 Hz, 2800 RPM @ 50 Hz  
 Power Rating : 6/8/10HP @ 60 Hz, 4.5/6/7.5kW @ 50Hz Full Load  
 Current FLA: 9.8, 12, 14 Amps @ 460v. 11, 13.8, 16 Amps @ 400v.  
 Max. temperature of the pump liquid : 104°F/40°C  
 Max. start/stop per hour : 15

#### POWER SUPPLY

3 phase, 50/60 Hz, AC Supply. Available in any voltage frequency combination. (208/220/230/380/415/460/575/1000V) Built in Contactor which trips at excessively high motor temperatures through bimetallic switches in the winding.

#### BALL BEARINGS

The rotor shaft is carried in two single row, deep groove ball bearings. The bearings are enclosed with high temperature grease-containing special Anti-corrosion additive.

#### POWER CABLE

Waterproof/oil proof, rubber-insulated, neoprene-sheathed copper conductor flexible cable, 50ft. (15m) length standard. Type SOOW in North America, EPR in the Middle East and HO7RN in the EU.

#### SHAFT SEAL

Tandem Tungsten Carbide/Tungsten Carbide and Tungsten Carbide/Tungsten Carbide Mechanical seals wholly enclosed in a pressure compensated oil chamber.

#### CORROSION RESISTANT

Epoxy coated Extruded Aluminum Stator Casing  
 Nitrile Rubber- Lined Wear plate.  
 Shaft: 431 Stainless Steel  
 Hardware: 304 Stainless Steel  
 Impeller: Nitride Hardened 410SS to 56HRC is Standard.  
 Volute: 304 Stainless Steel  
 pH Range 5 - 8

#### SUBMERGENCE

Submergence below liquid surface min 8" (127mm) max. 50' (15m).

#### WEIGHTS (Approx. without cable)

NC 06:	145 lbs. (66Kg)
NC 08:	163 lbs. (74Kg)
NC 10:	170 lbs. (77Kg)



Due to continuous product development, specifications are subject to change without notice.

03.10.Rev.1