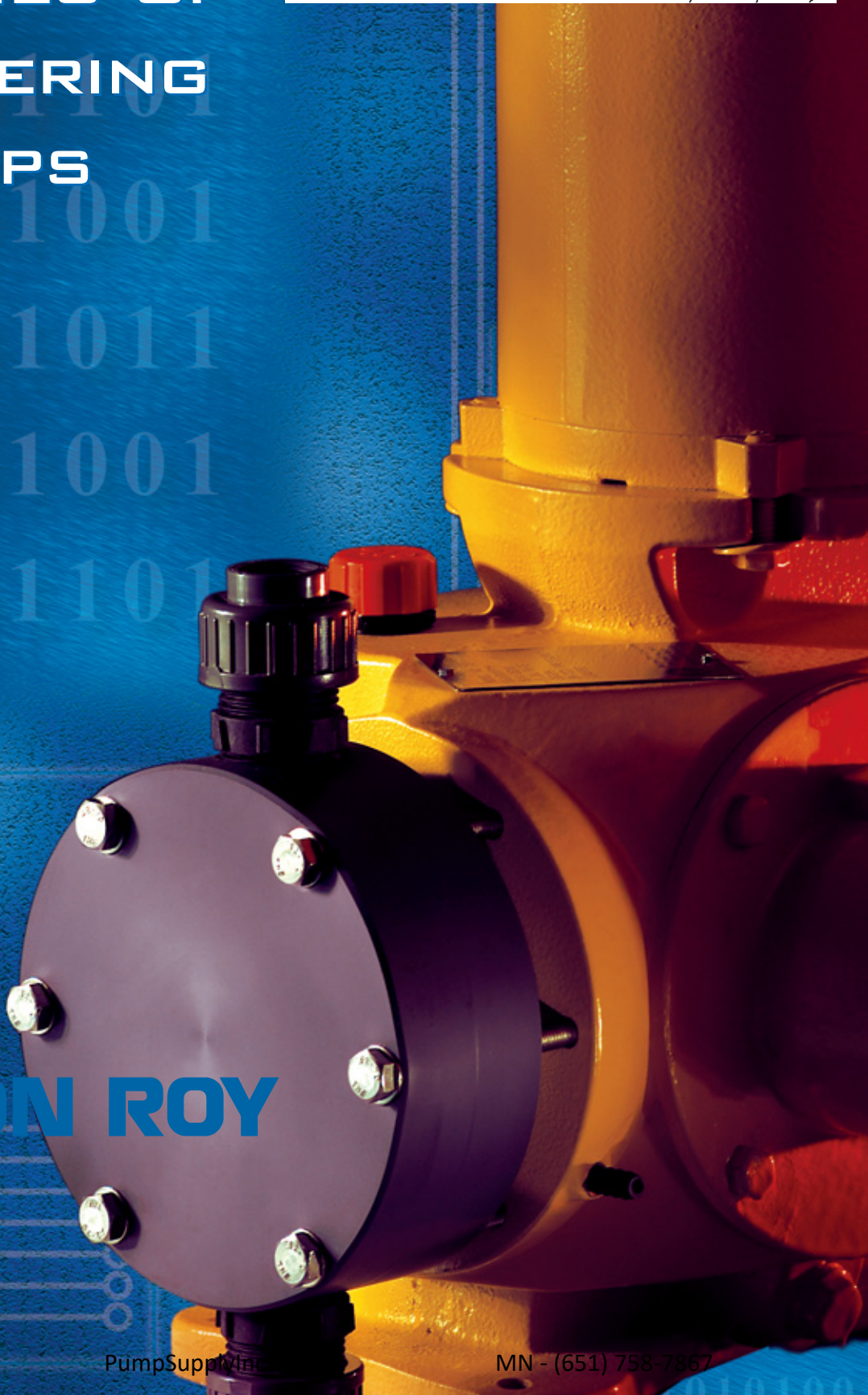
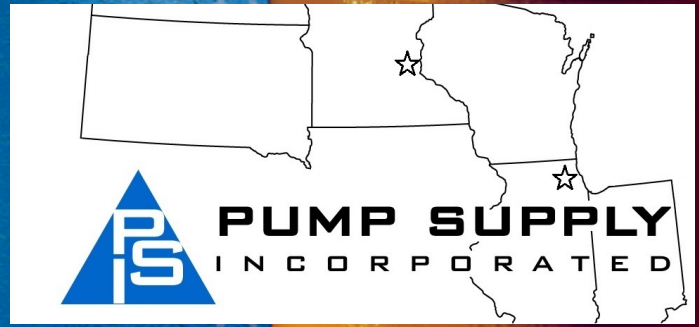


MACROY®

SERIES OF METERING PUMPS

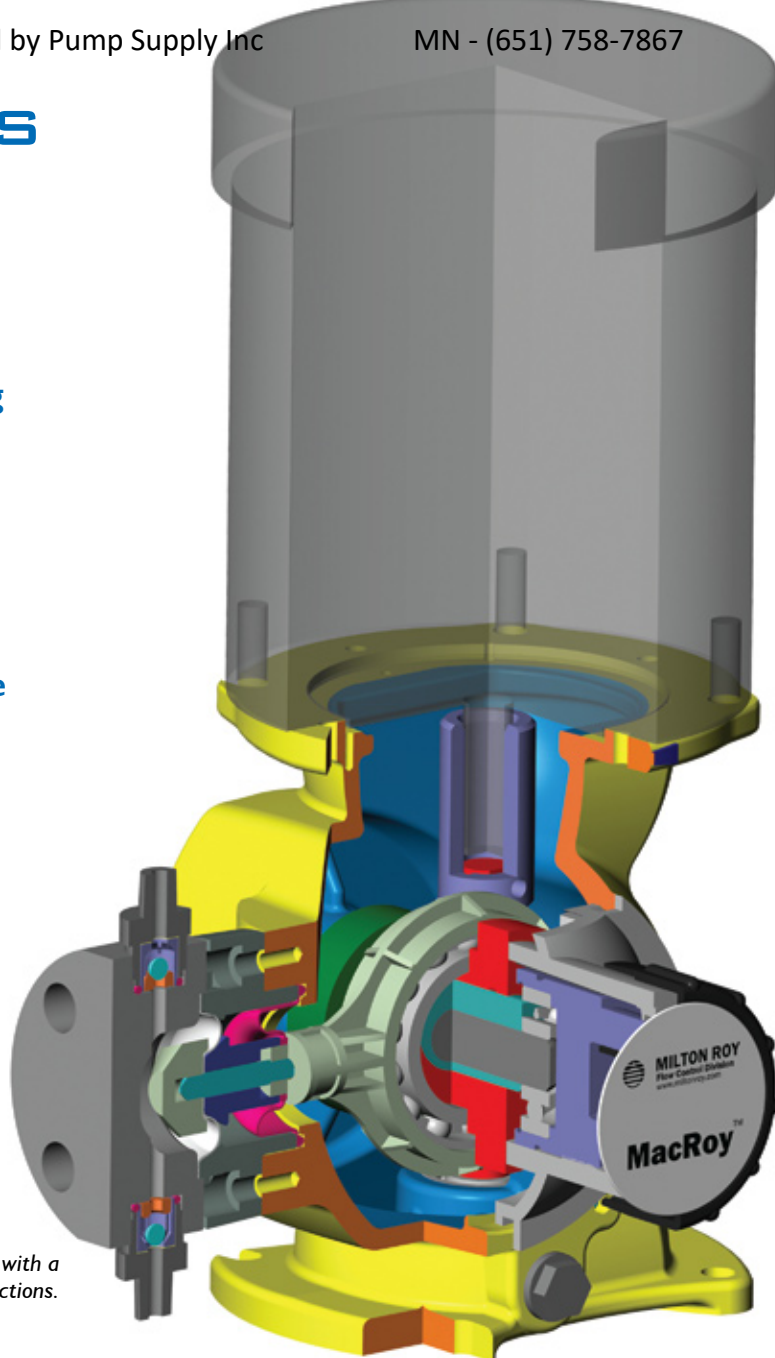



MILTON ROY

MACROY® SERIES

The MacRoy® Series of metering pumps offer traditional Milton Roy reliability with outstanding value for applications up to 175 psi (12 Bar).

Milton Roy has combined its heavy-duty industrial drive technology with state of the art design and manufacturing processes in creating the MacRoy® Series metering pump. This family of Mechanically Actuated Diaphragm metering pumps is designed for durability and cost effectiveness.

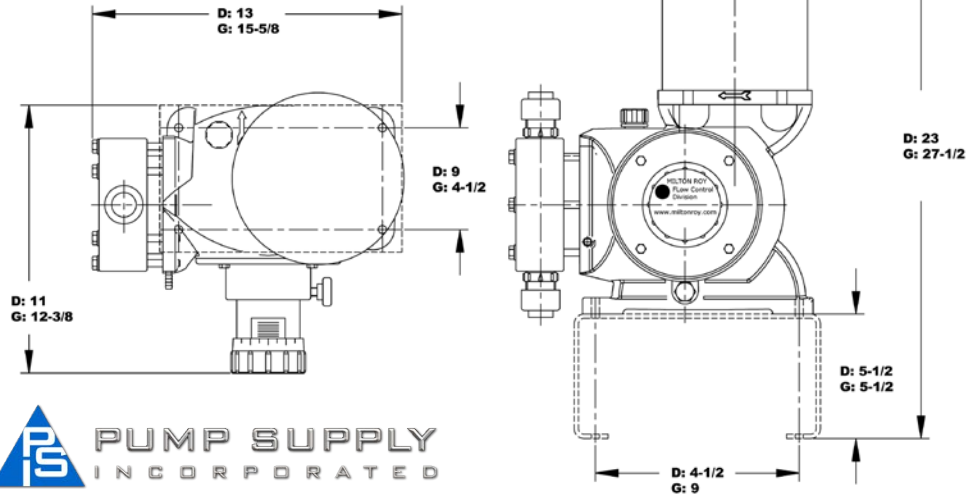


Illustrated to the right is a D4 with a PVC liquid end, featuring NPT connections.



MACROY FEATURES AND SPECIFICATIONS

- ▶ Flow Rates up to 312 GPH (1180 Liters/hr)
- ▶ Mechanically Actuated Diaphragm liquid end eliminates flow restrictions
- ▶ Durable, metallic housing designed to withstand tough environments
- ▶ High efficiency motors minimize heat buildup
- ▶ A robust, metallic, worm gear drive coupled with the industrial duty variable eccentric stroke adjustment mechanism yields a 10 to 1 turn down ratio with smooth velocity profiles as compared to the pulsating flows of solenoid pumps or lost motion designs
- ▶ Smooth running, low friction bronze gears
- ▶ The PTFE, high performance, diaphragm design increases diaphragm life by eliminating the stresses inherent in most designs
- ▶ Reliable low flow performance is a result of high performance check valves with machined seats
- ▶ All gear components operate in an oil bath for long life
- ▶ Precision stroke adjustment can be operated while the pump is running or stopped
- ▶ Steady State Accuracy – $\pm 1\%$ of full capacity over the 10 to 1 turndown ratio
- ▶ Liquid Temperature Range – 14° to 122° F (-14° to 50° C)
- ▶ Coating – 2 part epoxy
- ▶ Average Weight with motor – Frame D: 45 lbs (20 kgs)
Frame G: 105 lbs (48 kgs)



NPT CONNECTION SIZES

FRAME	LIQUID END SIZE	CONNECTION PORT SIZE FOR THE FOLLOWING MATERIALS			
		BLACK PP, PVC, PVDF & ACRYLIC	APPLICATIONS		316 SS
				H2SO4	
D	2	1/4" Male	1/4" Male	1/4" Male	1/4" Male
	4		1/2" Male		1/2" Male
	7 & 8				
G	5	1/2" Female			
	6 & 7	1" Female	1" Male	1" Female	1" Male

MATERIALS OF CONSTRUCTION

MATERIAL	FRAME	LIQUID END SIZE	HEAD	CHECK VALVE	SEALS	SEATS	BALLS	DIAPHRAGM	
Black Polypropylene	D	2	Black PP	PVDF	Aflas	Alloy C22	Ceramic	PTFE	
		4				PTFE			
		7 & 8							
	G	5		PP	Viton	PVC			
6 & 7									
PVC	D	2	PVC	PVDF	Aflas	Alloy C22	Ceramic	PTFE	
		4				PTFE			
		7 & 8							
	G	5		PVC	Viton	PVC			
6 & 7									
PVDF	D	2	PVDF	PVDF	Aflas	Alloy C22	Ceramic	PTFE	
		4				PTFE			
		7 & 8							
	G	All		PVDF	PTFE	PVDF			
Acrylic	D	2	Acrylic	PVDF	Aflas	Alloy C22	Ceramic	PTFE	
		4				PTFE			
		7 & 8							
	G	5		PVC	Viton	PVC			
6 & 7									
Polymer Applications	D & G	All	PVC	PVC	Viton	316 SS	316 SS		
Slurry Applications	D & G	All		316 SS		316 SS			
H2SO4 Applications	D & G	All		PVDF		Aflas		CA 20	CA 20
316 SS	D	2	316 SS	316 SS	PTFE	316 SS	316 SS	PTFE	
		4				PTFE			
		7 & 8							
	G	5			PTFE	Viton			316 SS
		6 & 7							

PUMP SELECTION BY CAPACITY AND PRESSURE

PUMP SELECTION			MAXIMUM RATINGS					
MACROY			CAPACITY @ 60 HZ		CAPACITY @ 50 HZ		PRESSURE	
FRAME	LIQUID END	GEAR CODE	(1725 RPM)		(1425 RPM)		PSI	BAR
			GPH	LITER/HR	GPH	LITER/HR		
D	2	1	0.18	0.7	0.15	0.6	175	12
		2	0.35	1.3	0.29	1.1		
		6	0.48	1.8	0.40	1.5		
		3	0.7	2.6	0.58	2.2		
	4	1	3.0	11.4	2.5	9.5	150	10
		2	6.6	25	5.5	21		
		6	10	38	6.9	26		
		3	14.4	45	12	45		
	7	1	13	99	10	39	100	7
		2	25	95	21	79		
		6	34	129	28	106		
		3	50	189	42	159		
	8	1	31	117	26	98	75	5
		2	57	216	47	178		
		6	87	329	72	273		
		3	127	481	106	401		
G	5	1	26	98.4	22	82	150	10
		2	53	200.6	44	167		
		6	75	283.9	62	237		
		3	106	401.2	88	334		
		8	-	-	110	416		
	6	1	37	140.0	31	117	100	7
		2	74	280.1	62	233		
		6	104	393.6	87	328		
		3	147	556.4	122	464		
		8	-	-	154	583		
	7	1	75	283.9	62	237	50	3.5
		2	150	567.8	125	473		
		6	213	806.2	177	672		
		3	300	1135.5	250	946		
		8	-	-	312	1181		

Ratings based on 1/4 HP (.25 kW)

Ratings based on 1 HP (.75 kW)

MacRoy G with PVC liquid end and manual micrometer stroke adjustment.



Illinois Location:

(847) 841-7867
860 Church Rd Elgin, IL 60123

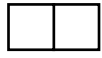
Minnesota Location:

(651) 758-7867
330 Mill Bay South Suite 1511 Afton, MN 55001

PumpSupplyInc.com



MACROY D & G PRODUCT CODE



Frame and Liquid End



Gear Ratio



Motor &/or Mount



Liquid End Material



Connections



Capacity Control



Double Diaphragm



Base



Stroke Counting

Frame and Liquid End

D Frame

D2

D4

D7

D8

G Frame

G5

G6

G7

Gear Ratio Code

1 = 43 SPM

2 = 86 SPM

6 = 120 SPM

3 = 173 SPM

8 = 180 SPM @
1450 RPM

Motor &/or Mount

8 = 1 ph 60 Hz 115/230 VAC

1725 RPM TE

J = 3 ph 60 Hz 230/460 VAC

1725 RPM TE

9 = 1 ph 50 Hz 115/230 VAC

1450 RPM TE

L = 3 ph 50 Hz 220/380 VAC

1450 RPM TE

M = IEC 71, F130 VI Flange
Mount Less Motor

N = IEC 80, F165 VI Flange
Mount Less Motor
(G Frame only)

X = Nema 56C Mount
Less Motor

Liquid End Material

2 = PVDF

4 = Black Polypropylene
(UV Stable)

7 = 316 ss

8 = PVC

A = Acrylic

P = Polymer Service

L = Slurry Applications

N = H₂SO₄ Applications

Connections

P = NPT

T = Tubing

B = Bleed Valve NPT

C = Bleed Valve Tubing

Capacity Control

M4 = Manual

E1 = 4-20, Nema 4, 115V

E2 = 4-20, Nema 4, 230V

EA = 4-20, Ex Prf, 115V

EB = 4-20, Ex Prf, 230V

Double Diaphragm

N = None

D = Double Diaphragm

3 = Double Diaphragm w/
Gauge

4 = Double Diaphragm
w/Nema 4

Rupture Detection

7 = Double Diaphragm
w/Nema 7

Rupture Detection

Base Code

N = None

I = Simplex Optional Base

Stroke Counting

N = None

I = Stroke Counting
(20 to 250 VAC/DC)



PUMP SUPPLY
INCORPORATED

Illinois Location:

(847) 841-7867

860 Church Rd Elgin, IL 60123

Minnesota Location:

(651) 758-7867

330 Mill Bay South Suite 1511 Afton, MN 55001

PumpSupplyInc.com



The photograph to the right is a D4 with a PVC liquid end, featuring NPT style check valves.

MACROY, DEPENDABLE AND VERSATILE



The MacRoy™ series of pumps has proven its exceptional value over years of solid performance in a wide range of applications and industries. Water treatment chemicals, process additives, acids, out-gassing fluids, slurries, and many more applications are all handled with ease by this robust metering pump design. Your local representative can assist you in applying the MacRoy™ metering pump to your process.



ACCESSORIES



Safety Valves

Protect pump and piping from overpressure.



Back Pressure Valves

Provide smooth, artificial pressure in pump discharge line for atmospheric or low pressure systems to ensure pumping accuracy.

Pulsation Dampeners

Minimize pressure and flow surges in the pump discharge. When applied to pump inlet, more favorable NPSH conditions result.



Calibration Columns

Allow periodic verification of pump performance during routine checks or after system maintenance.

